

ORDINANCE NO. 091, SERIES 2015

AN ORDINANCE CLOSING THE EASTERNMOST PORTION OF THE 20' WIDE ALLEY PARALLEL TO AND BETWEEN DUMESNIL STREET AND W. ORMSBY AVENUE AND INTERSECTING THE WEST LINE OF ANOTHER 30' WIDE ALLEY (A.K.A. NASHVILLE AVENUE) AND CONTAINING 6,465 SQUARE FEET AND BEING IN LOUISVILLE METRO (CASE NO. 13STREETS1005).

SPONSORED BY: COUNCILWOMAN MADONNA FLOOD

WHEREAS, the Louisville Metro Planning Commission, as set forth in its minutes and records of Case No. 13STREETS1005, has recommended to the Legislative Council of the Louisville/Jefferson County Metro Government (the "Council") that closing the easternmost portion of the 20' wide alley parallel to and between Dumesnil Street. and W. Ormsby Avenue and intersecting the west line of another 30' wide alley (A.K.A. Nashville Avenue), and containing 6,465 square feet and being In Louisville Metro be approved as said closing is in compliance with the guidelines, principles and objectives of the Comprehensive Plan; and

WHEREAS, the Council concurs in and adopts the findings of the Planning Commission in Case No. 13STREETS1005 and approves and accepts the recommendation of the Planning Commission as set out in said minutes and records;

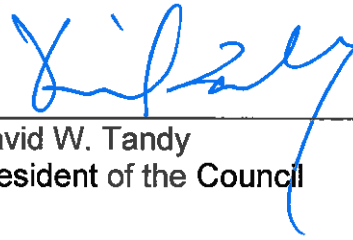
NOW THEREFORE BE IT ORDAINED BY THE LEGISLATIVE COUNCIL OF THE LOUISVILLE/JEFFERSON COUNTY METRO GOVERNMENT AS FOLLOWS:

Section I: That the easternmost portion of the 20' wide alley parallel to and between Dumesnil Street and W. Ormsby Avenue and intersecting the west line of another 30' wide alley (A.K.A. Nashville Avenue) and containing 6,465 square feet and being In Louisville Metro as more particularly described in the minutes and records of the Planning Commission in Case No. 13STREETS1005 and as shown on the attached plat be closed, subject to all existing easements of record and all existing utility easements or rights enjoyed by said utility companies as the result of being located in, on or over said right-of-way.

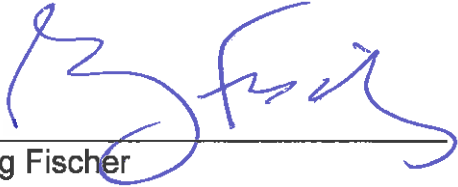
Section II: This Ordinance shall take effect upon its passage and approval.



H. Stephen Ott
Metro Council Clerk



David W. Tandy
President of the Council



Greg Fischer
Mayor

Approved:
Date

6/16/15

APPROVED AS TO FORM AND LEGALITY:

Michael J. O'Connell
Jefferson County Attorney

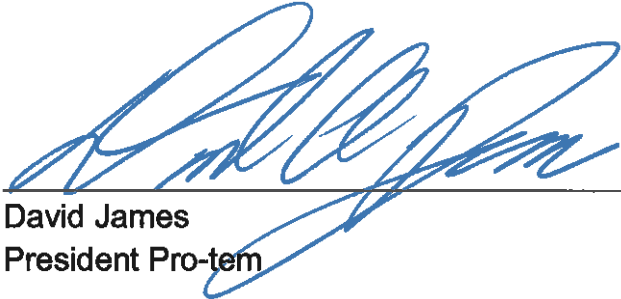
By: 

**LOUISVILLE METRO COUNCIL
READ AND PASSED**

June 16, 2015

O-125-15 AN ORDINANCE CLOSING THE EASTERNMOST PORTION OF THE 20' WIDE ALLEY PARALLEL TO AND BETWEEN DUMESNIL STREET AND W. ORMSBY AVENUE AND INTERSECTING THE WEST LINE OF ANOTHER 30' WIDE ALLEY (A.K.A. NASHVILLE AVENUE) AND CONTAINING 6,465 SQUARE FEET AND BEING IN LOUISVILLE METRO (CASE NO. 13STREETS1005).

Due to the absence of Metro Council President David W. Tandy, President Pro-tem David James presided over the June 11, 2015 Metro Council meeting. In accordance with Metro Council Rule 2.01(g) the President Pro-tem will sign and authenticate all ordinances and resolutions.



David James
President Pro-tem

6-11-2015

Date

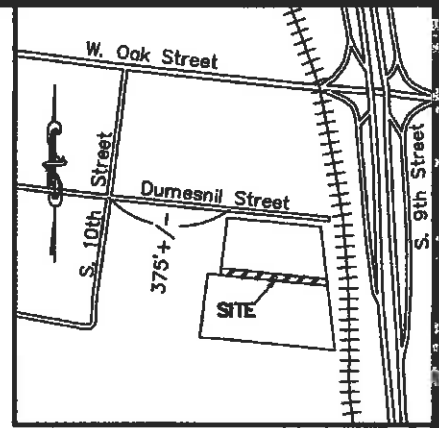
BEARING DATUM

The horizontal datum for this plat, bearing S 10°11'58" E is based on the east line of Tract 2 of an ALTA/ASCM Land Title Survey by Sabak, Wilson & Lingo, Inc., dated 03/22/2013.

NOTES

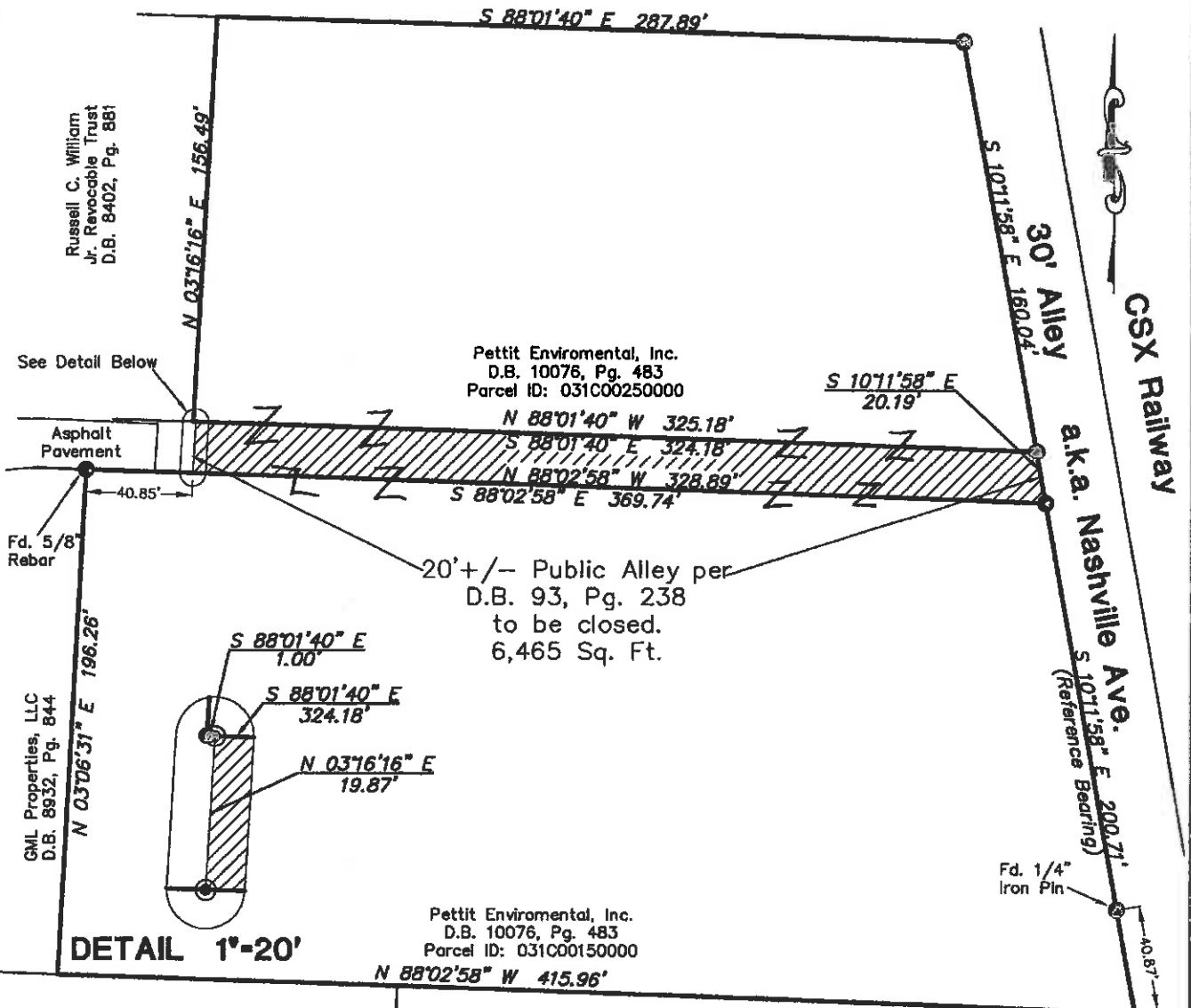
This plat is subject to all legal easements, right of ways, defects, liens, adverse claims, encumbrances, covenants and restrictions, which a title search may reveal, whether shown on this plat or not.

Existing Public Alley to be closed - 6,465 Sq. Ft.

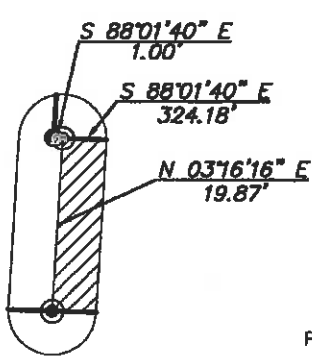


Location Map
No Scale

Dumesnil Street



DETAIL 1"=20'



- Indicates found iron pin w/ cap "KRAUS 2613" *Unless Otherwise Noted*
- Indicates set 5/8"x24" iron pin w/ cap stamped "RS Matheny PLS 3173" ***Unless otherwise noted***



LAND SURVEYOR'S CERTIFICATE
I hereby certify that this plat and survey were made under my supervision on December 2, 2013 and that the angular and linear measurements are witnessed by monuments

ALLEY CLOSURE PLAT
For: Pettit Environmental, Inc.
340 Byrne Ave., Louisville, KY 40209
Property Address: 900 Dumesnil St. & 901 W. Ormsby Ave.

LEGAL DESCRIPTION FOR ALLEY CLOSURE

Commencing at a found 5/8" rebar, said rebar being the northwest corner of a tract of land conveyed to Pettit Environmental, Inc., Tract 2 of record in Deed Book 10076, Page 483 in the Office of the Clerk of Jefferson County, Kentucky; thence S 88°02'58" E 40.85 feet to a point in the south line of a 20' alley, the True Point of Beginning, of record in Deed Book 93, Page 238 in the Clerk's Office aforesaid; thence N 03°16'16" E 19.87 feet to a point in the north line of said 20 foot alley; thence with the north line of said 20 foot alley, S 88°01'40" E 324.18 feet to a point in the west line of a 30 alley, a.k.a. Nashville Avenue; thence with west line of said 30 foot alley S 10°11'58" E 20.19 feet to a point at the intersection of the west line of said 30 foot alley, and the south line of said 20 foot alley, being the northeast corner of Tract 2 of said Deed Book 10076, Page 483 in the Office aforesaid; thence with the south line of said 20 foot alley N 88°02'58" W 328.89 feet to the Point of Beginning, having an area of 6,465 square feet.

This legal description was created from a survey made on the ground by Richard S. Matheny on December 05, 2013.



7-27-14

Richard S. Matheny

PLS#3173

Date

