

**NOTE:**  
 1) SEE SHEETS A-400 AND A-401 FOR TYPICAL PRECAST WALL TYPES  
 2) SEE SHEET A-402 FOR CUSTOM PRECAST WALL TYPES

**West Louisville Food Port**

OWNER: WEST LOUISVILLE FOOD PORT  
 1000 WEST MAIN STREET  
 WEST LOUISVILLE, KY 40399  
 PHONE: 502.582.1234  
 FAX: 502.582.1234

ARCHITECT: OWENS ARCHITECTURE & ASSOCIATES, INC.  
 1000 WEST MAIN STREET  
 WEST LOUISVILLE, KY 40399  
 PHONE: 502.582.1234  
 FAX: 502.582.1234

ENGINEER: GMA ASSOCIATES, INC.  
 1000 WEST MAIN STREET  
 WEST LOUISVILLE, KY 40399  
 PHONE: 502.582.1234  
 FAX: 502.582.1234

STRUCTURAL ENGINEER: STEIN, LAMBERT, AND ASSOCIATES, INC.  
 1000 WEST MAIN STREET  
 WEST LOUISVILLE, KY 40399  
 PHONE: 502.582.1234  
 FAX: 502.582.1234

MECHANICAL ENGINEER: GMA ASSOCIATES, INC.  
 1000 WEST MAIN STREET  
 WEST LOUISVILLE, KY 40399  
 PHONE: 502.582.1234  
 FAX: 502.582.1234

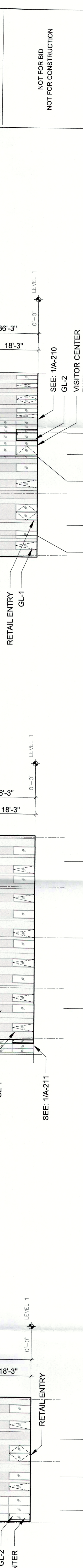
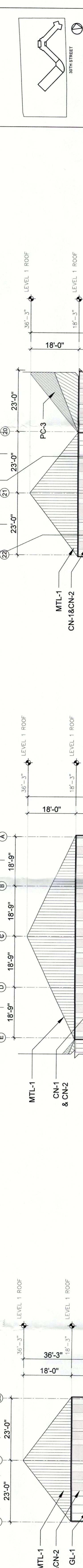
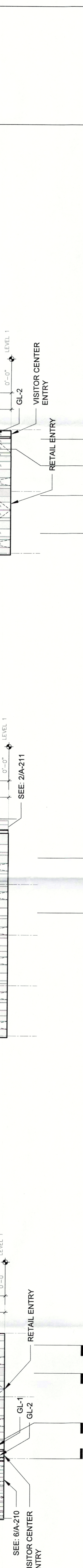
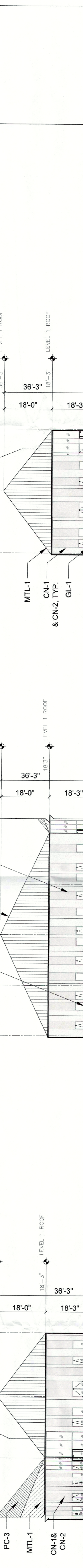
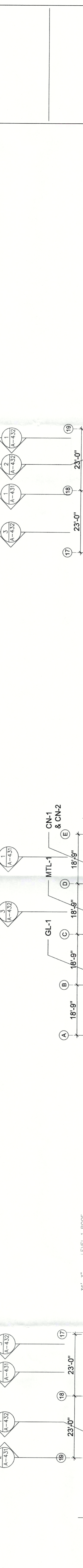
ELECTRICAL ENGINEER: GMA ASSOCIATES, INC.  
 1000 WEST MAIN STREET  
 WEST LOUISVILLE, KY 40399  
 PHONE: 502.582.1234  
 FAX: 502.582.1234

PLUMBING ENGINEER: GMA ASSOCIATES, INC.  
 1000 WEST MAIN STREET  
 WEST LOUISVILLE, KY 40399  
 PHONE: 502.582.1234  
 FAX: 502.582.1234

LANDSCAPE ARCHITECT: GMA ASSOCIATES, INC.  
 1000 WEST MAIN STREET  
 WEST LOUISVILLE, KY 40399  
 PHONE: 502.582.1234  
 FAX: 502.582.1234

CONSTRUCTION MANAGER: GMA ASSOCIATES, INC.  
 1000 WEST MAIN STREET  
 WEST LOUISVILLE, KY 40399  
 PHONE: 502.582.1234  
 FAX: 502.582.1234

NO. ISSUE DATE COMMENT  
 01 26 JUNE 2015 100% DD  
 02 18 DECEMBER 2015 50% SD BACKGROUNDS  
 03 8 JANUARY 2016 50% SD  
 04 19 FEBRUARY 2016 100% DD



**RECEIVED**  
 APR 17 2016  
 R. LAMMING & ASSOCIATES  
 DESIGN SERVICES

NOT FOR BID  
 NOT FOR CONSTRUCTION

100%ADD  
 100% SD  
 100% DD  
 100% DD

1/16"=1'-0"  
 2/10/2016  
 SCALE DATE

EXTERIOR ELEVATIONS  
 RETAIL

**A-210**

DRAWING NUMBER

16 DEPLAN 1 0 4 8