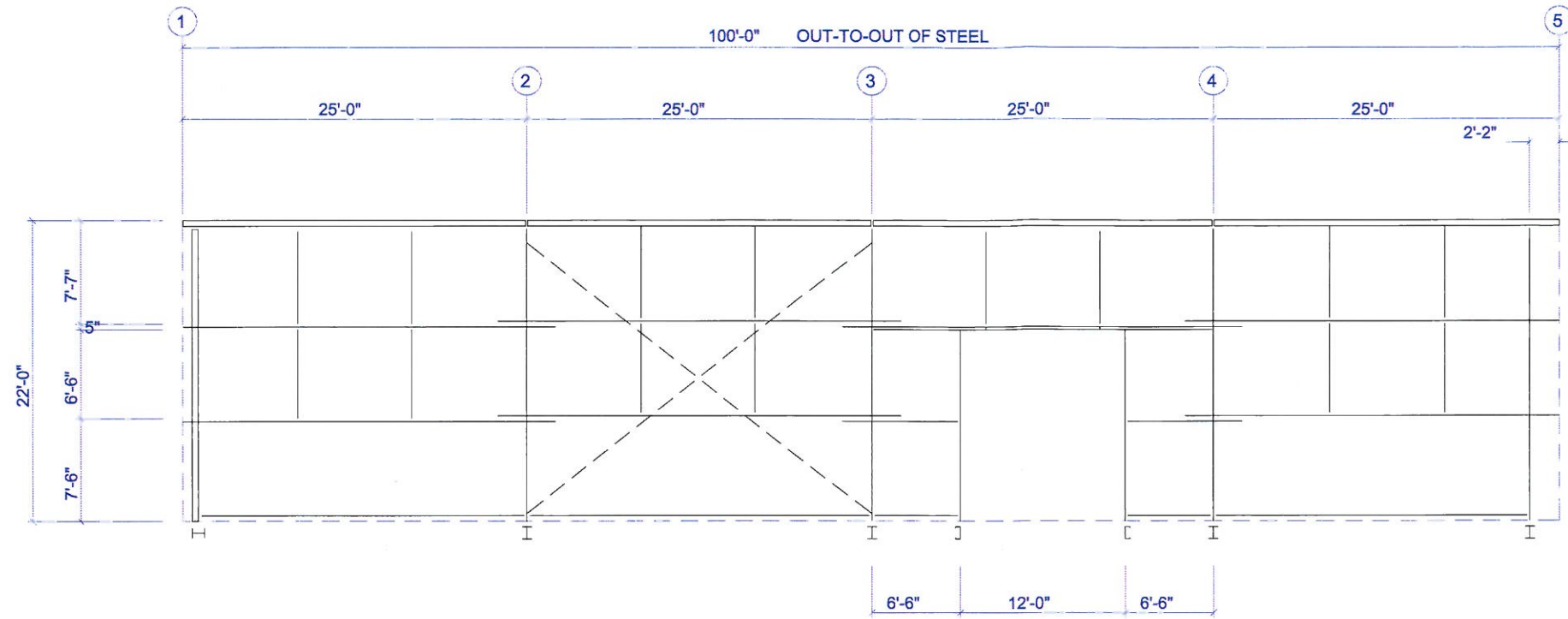


RECEIVED

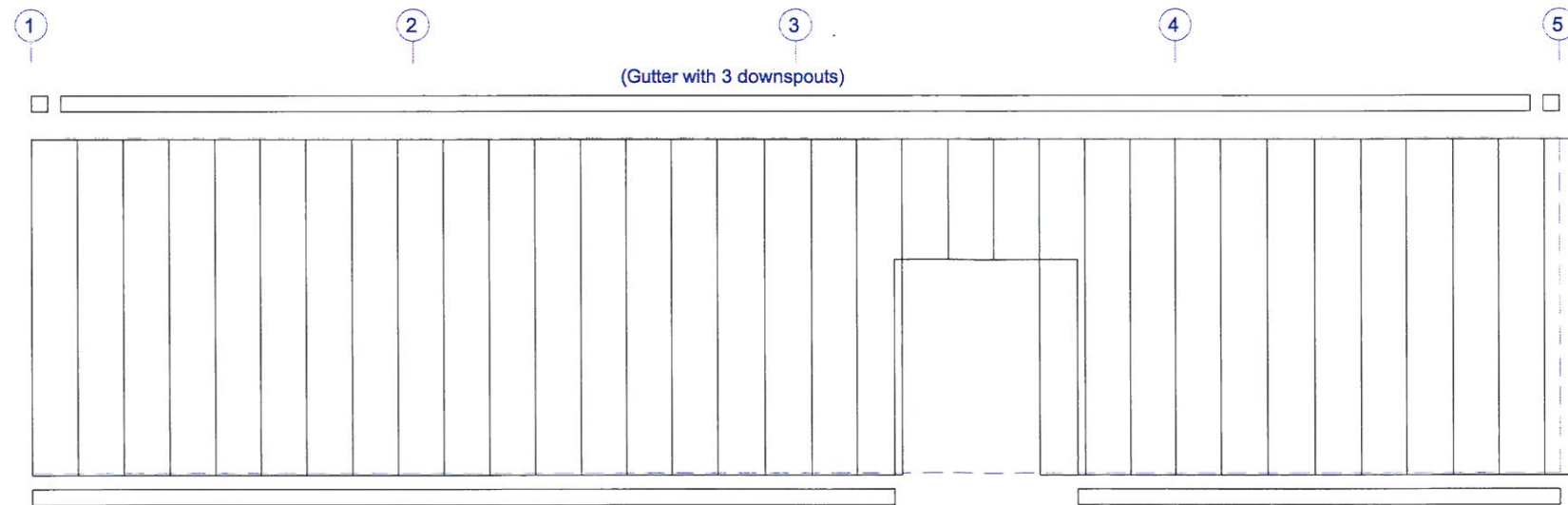
NOV 09 2015

PLANNING &
DESIGN SERVICES

15 DEVP/PLAN/1177



SIDEWALL FRAMING: FRAME LINE E



SIDEWALL SHEETING & TRIM: FRAME LINE E


PANELS: 26 Ga. AP - Std. PVDF Finish

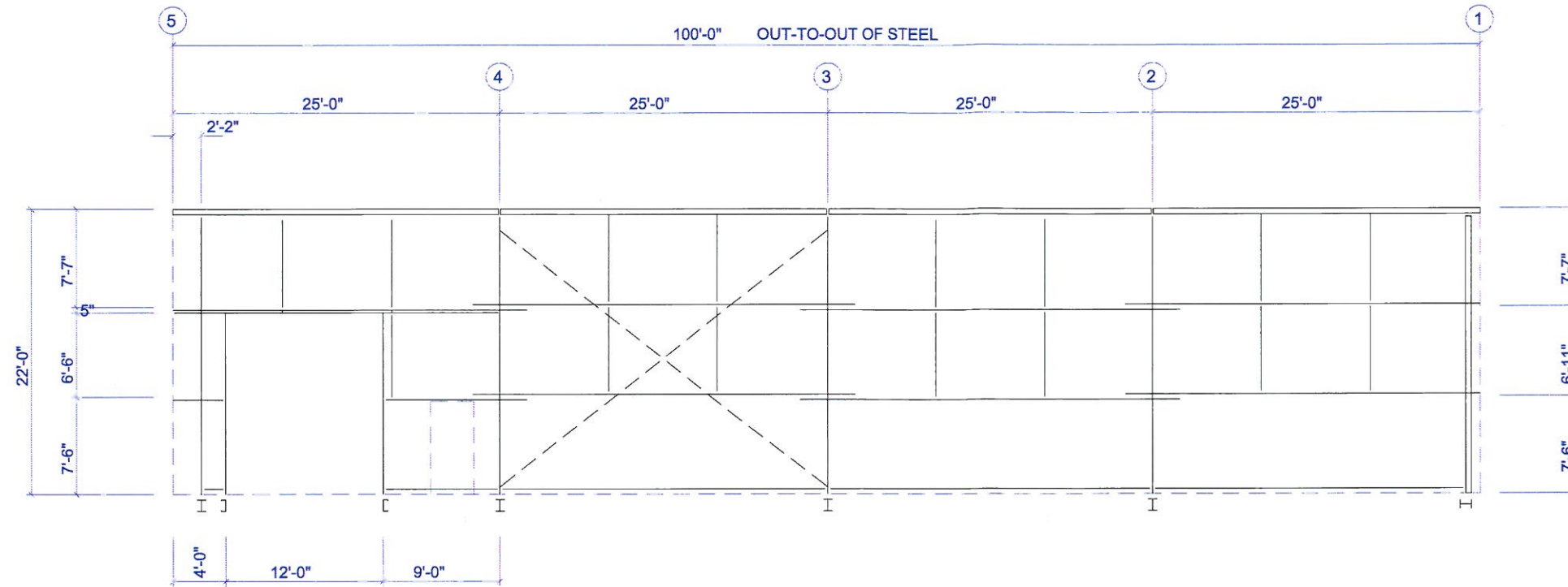
RECEIVED

NOV 09 2015
 INTEGRAL STRUCTURES &
 DESIGN SERVICES

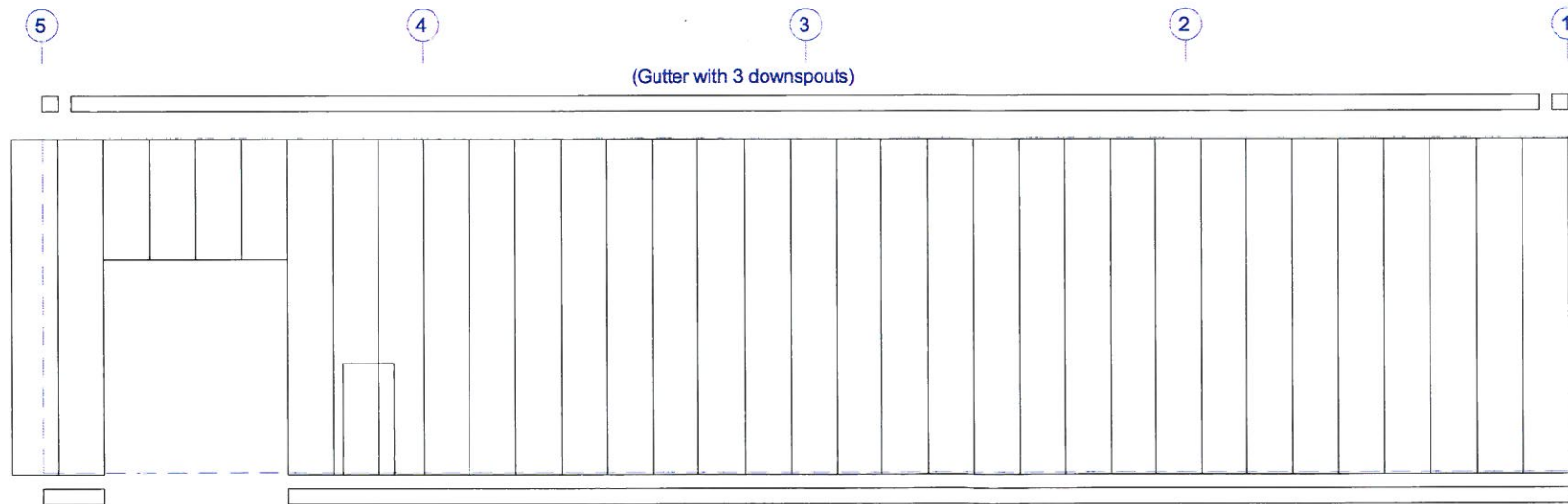
15 DEU PLAN 117A

PRELIMINARY DRAWING
 Subject to change upon final design.
NOT FOR CONSTRUCTION

Drawing	SIDEWALL DRAWING	
Buyer	Integral Structures, Inc.	
Customer	Diesel Injection LOUISVILLE KY 40201	
Description	80'-0" x 100'-0" x 22'-0"	
	DATE DRAWN	QUOTE NO.
	9/23/15	DL20004



SIDEWALL FRAMING: FRAME LINE A



SIDEWALL SHEETING & TRIM: FRAME LINE A

PANELS: 26 Ga. AP - Std. PVDF Finish


RECEIVED

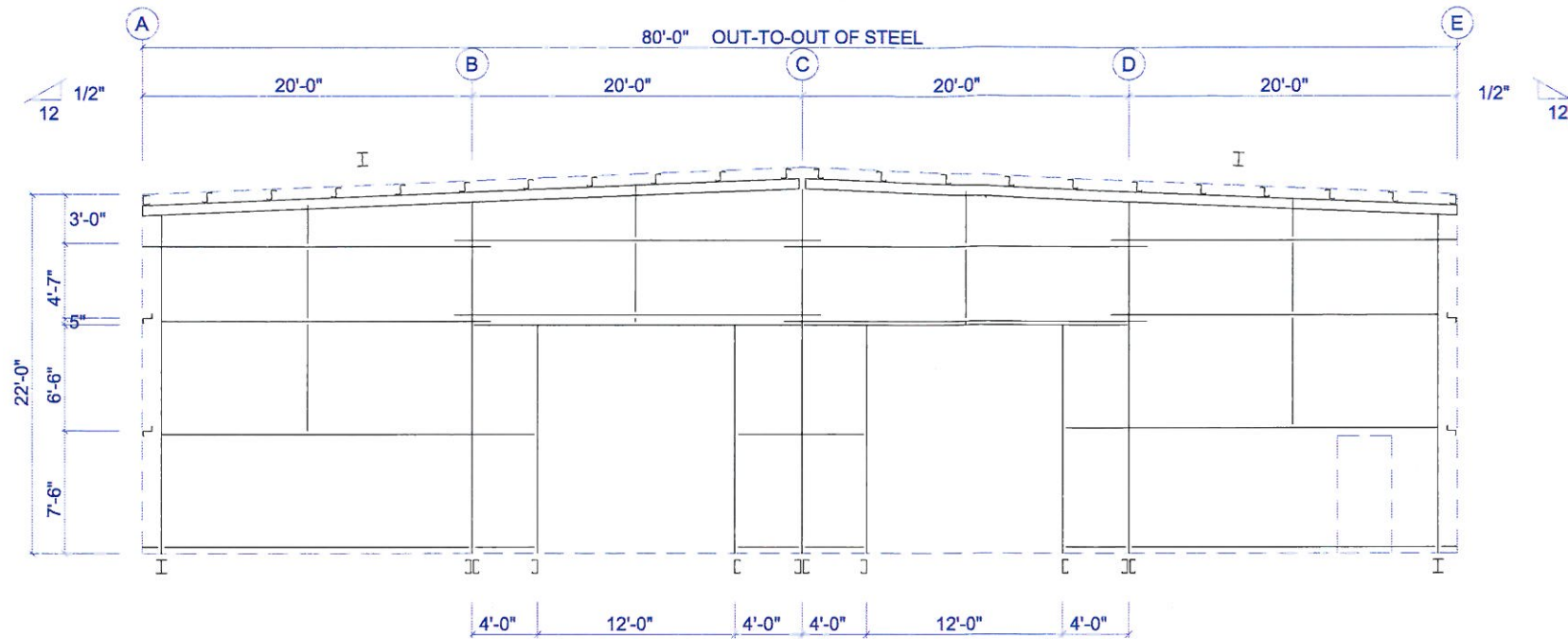
NOV 09 2015

INTEGRAL STRUCTURES & DESIGN SERVICES

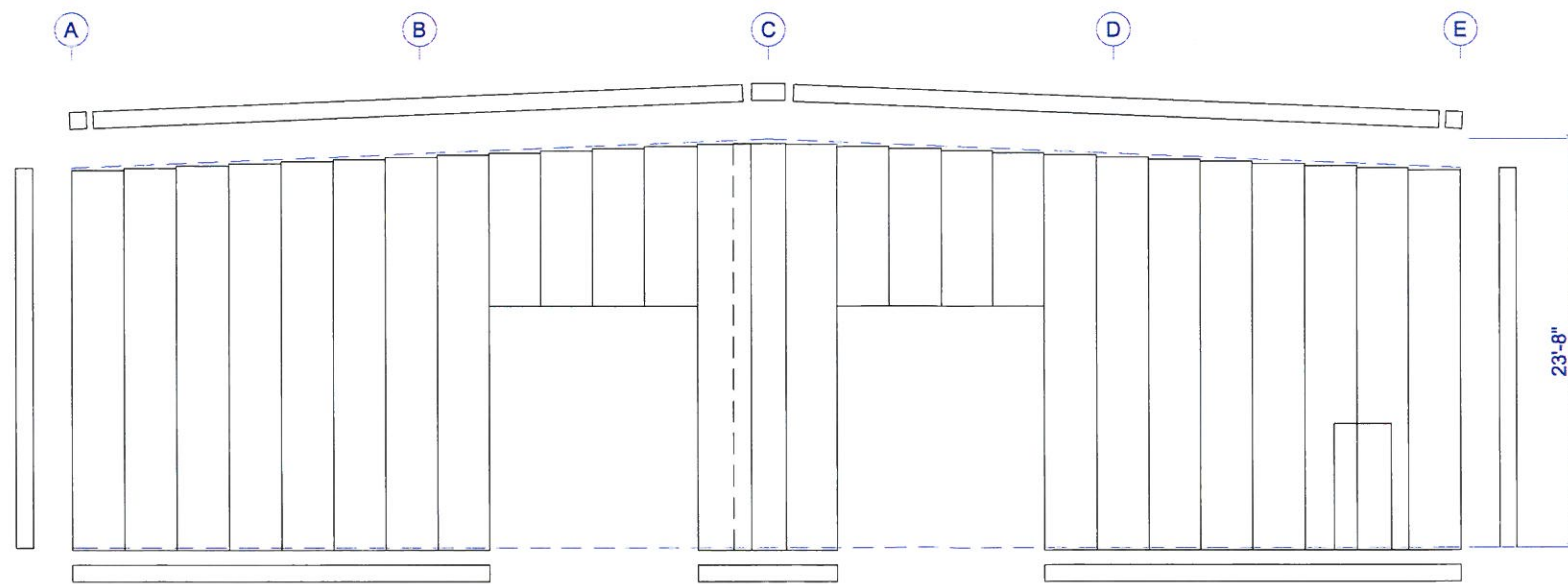
15DEVPLAN1177

PRELIMINARY DRAWING
 Subject to change upon final design.
NOT FOR CONSTRUCTION

Drawing	SIDEWALL DRAWING	
Buyer	Integral Structures, Inc.	
Customer	Diesel Injection LOUISVILLE KY 40201	
Description	80'-0" x 100'-0" x 22'-0"	
	DATE DRAWN	QUOTE NO.
	9/23/15	DL20004



ENDWALL FRAMING: FRAME LINE 1



ENDWALL SHEETING & TRIM: FRAME LINE 1

PANELS: 26 Ga. AP - Std. PVDF Finish

PRELIMINARY DRAWING
 Subject to change upon final design.
NOT FOR CONSTRUCTION

Drawing	ENDWALL DRAWING	
Buyer	Integral Structures, Inc.	
Customer	Diesel Injection LOUISVILLE KY 40201	
Description	80'-0" x 100'-0" x 22'-0"	
CHIEF BUILDINGS <small>a division of Chief Industries, Inc.</small> <small>P.O. BOX 2275 GRAND ISLAND, NE 68801-0275</small>	DATE DRAWN	QUOTE NO.
	9/23/15	DL20004

RECEIVED

NOV 09 2015

INTEGRAL STRUCTURES &
 DESIGN SERVICES

15DEVPLAN1177