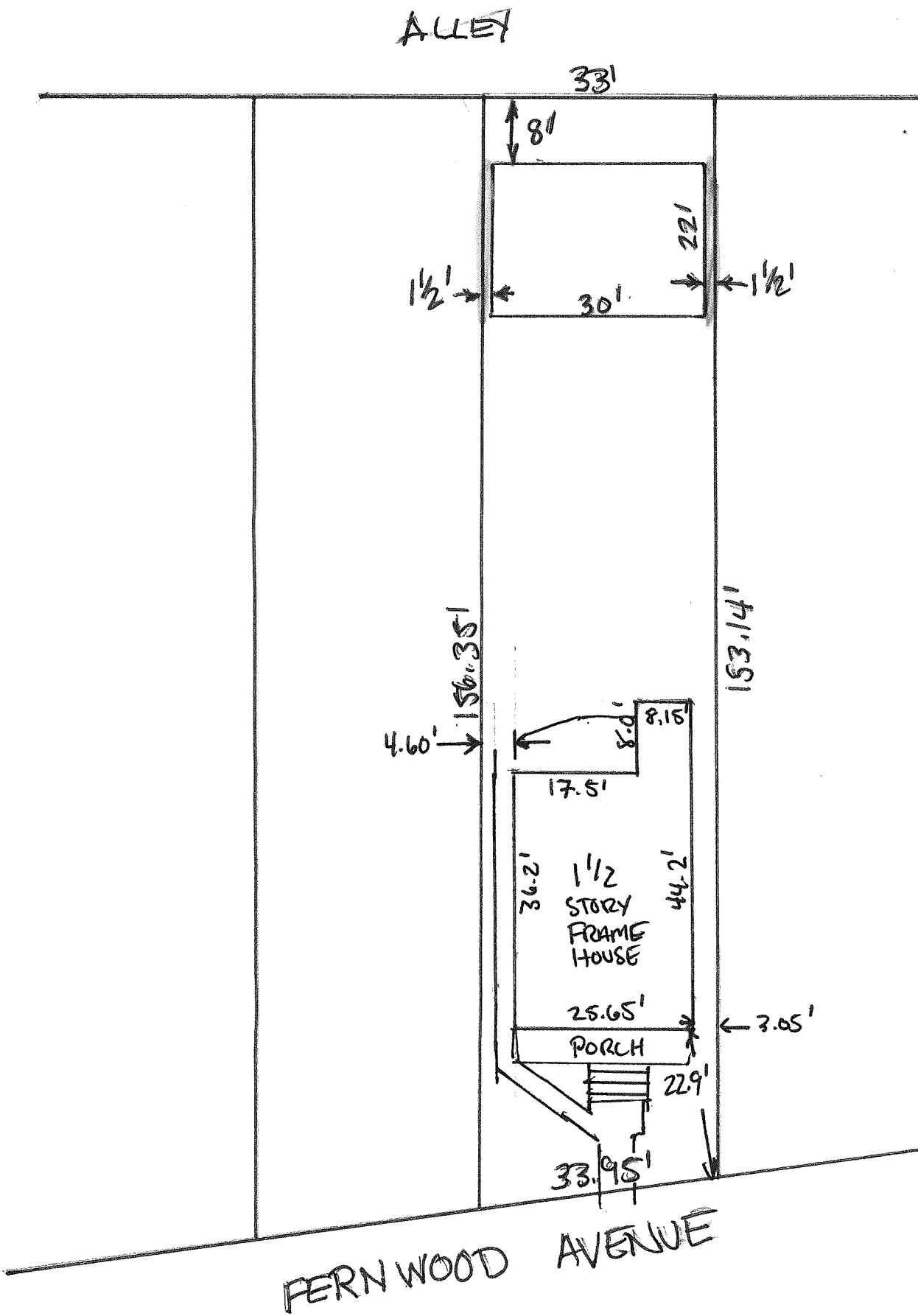
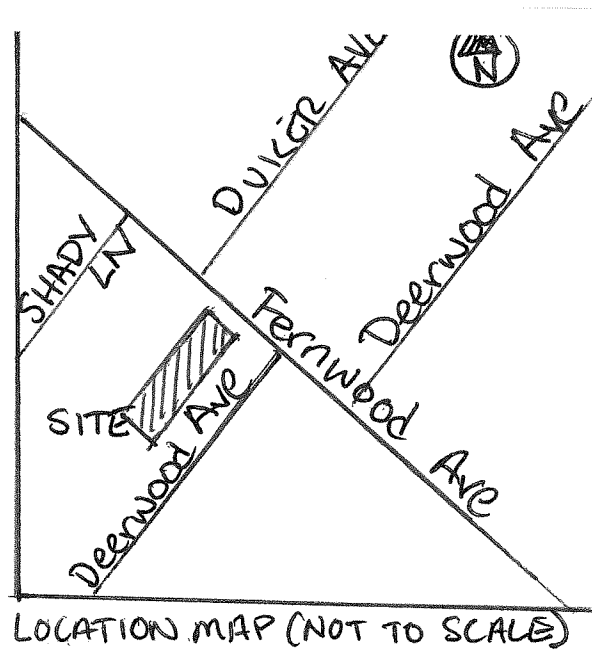


SITE PLAN



Variance for
Garage side
Yard Setback

required: 2ft
requesting: 6in.
either side

1702 Fernwood
Avenue
Parcel ID
10076H00800000

RECEIVED

AUG 14 2015
PLANNING &
DESIGN SERVICES

SCALE 1"=20'
15VARIANCE1058

15VARIANCE1057