

Louisville Metro Council City Agency Request
Neighborhood Development Fund (NDF)
■ Capital Infrastructure Fund (CIF)
Municipal Aid Program (MAP)
Paving Fund (PAV)

Primary Sponsor: Councilwoman Nicole George

Amount: \$3,437.20 **Date:** 08/20/2019

Description of program/project including public purpose, additional funding sources, location of project/program and any external grantee(s):
\$3,437.20 to Facilities and Project Management to replace garbage cans in the public right-of-way at 300 W Woodlawn Ave, 308 W Woodlawn Ave, 317 W Woodlawn Ave, and 324 W Woodlawn Ave. Cost per ES-342 model garbage can is \$782.80.

Four (4) ES-342 Garbage Cans x \$782.80 = \$3,131.20
Estimated Freight = \$306
Total = \$3,437.20

City Agency: Facilities and Project Management
Contact Person: Mark E. Zoeller
Agency Phone: (502) 574-5845

I have reviewed this request for an expenditure of city tax dollars, and have determined the funds will be used for a public purpose and have the attached documentation from the receiving department concerning the project/expenditure.

21 _____ \$3,437.20 08/20/2019
District # Council Member Signature Amount Date

Approved by: _____
Appropriations Committee Chairman Date
Clerk's Office & OMB Use Only:
Request Amount: _____ Amended Amount: _____
Reference #: _____ To OMB: _____
Budget Revision #: _____
Account #: _____
To Project Manager: _____ Completion Date: _____
Actual Cost: _____ Funds Returned: _____

NDF, CIF, MAP OR PAV INTERAGENCY CHECKLIST

Interagency Name: Facilities and Project Management

Program/Project Name: Replacement W Woodlawn Ave Garbage Cans

Yes/No/NA

Request Form: Is the Request Signed by all Council Member(s) Appropriating Funding? Yes

Request Form: If matching funds are to be used, are they disclosed with account numbers in the request form description? NA

Request Form: If matching funds are to be used, does the amount of the request exclude the matching fund amount? NA

Request Form: If other funds are to be used for this project, are they disclosed with account numbers in the request form description? NA

Funding Source: If CIF is being requested, does Metro Louisville own/will own the real estate, building or equipment? If not, the funding source is probably NDF. Yes

Funding Source: If CIF is being requested, does the project have a useful life of more than one year? If not, the funding source is probably NDF. Yes

Ordinance Required: Is the NDF request to a Metro Agency greater than \$5,000? If so, an ordinance is required. NA

Ordinance Required: Is the request a transfer from NDF to cost center? If so, is the amount given for the fiscal year \$25,000 or less? NA

Supporting Documentation: Does the attachment include a valid estimate and description of cost? Yes

Submitted by: _____ Rachel Roarx _____

Date: 8/20/19

Victor Stanley Inc.
P.O. Drawer 330
Dunkirk, MD 20754
Ph 301-855-8300



Jeff Miller 866-662-9944
Jeff@Streetscapeltd.com

Quotation

DATE	Quote NO.
8/19/2019	43383 A

Billing Address
City of Louisville Kentucky 745 W. Main St. Suite 300 Louisville, KY 40202 Mark Zoeller 502-574-0104

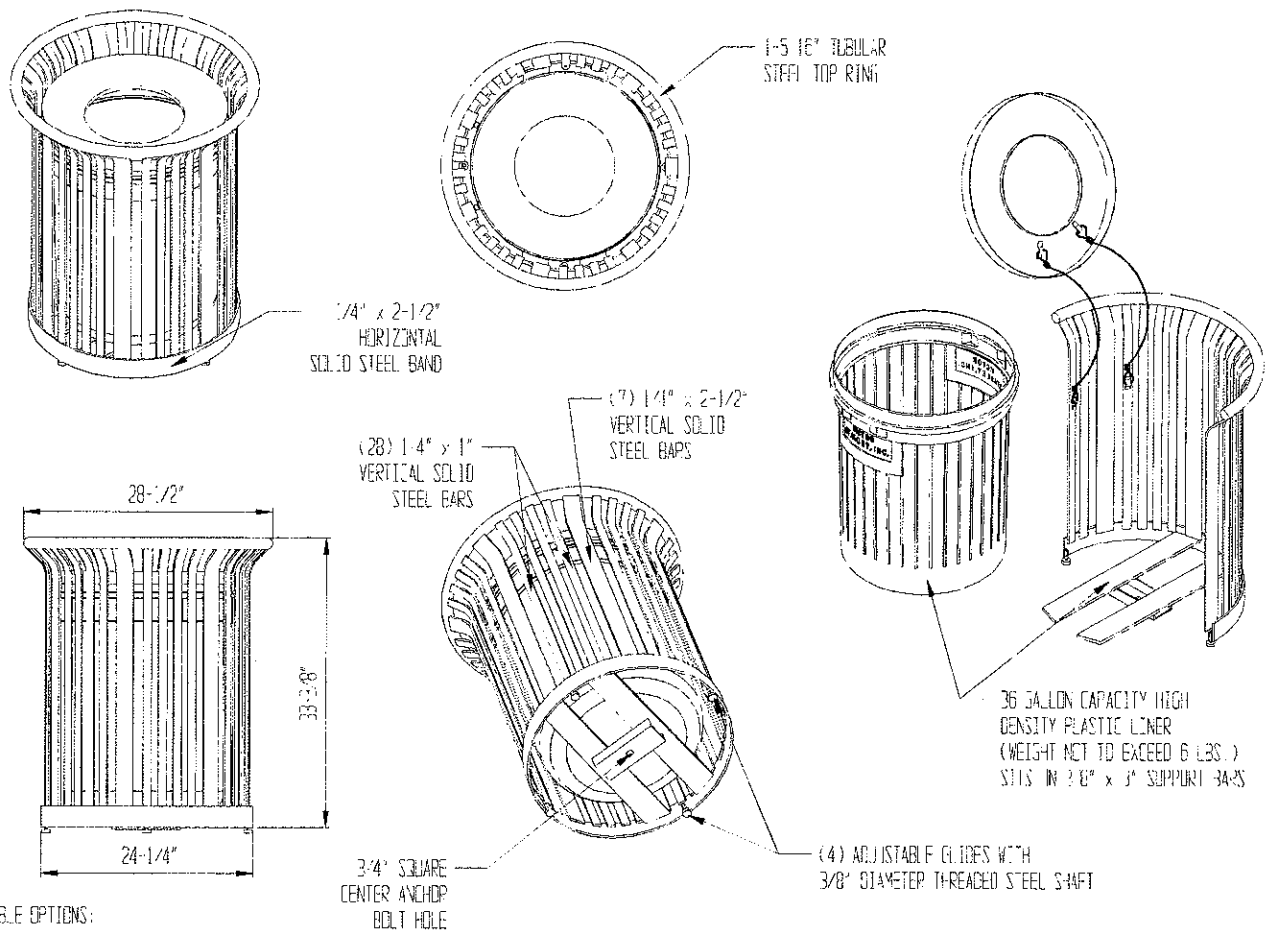
Shipping Address
Same

P.O. NO.	TERMS	DATE	REP	FOB	Project Name		
Quote	Net 30	8/19/2019	JM	Factory	W. Woodlawn Ave.		
ITEM	DESCRIPTION				QTY	Unit Price	TOTAL
ES-342	Victor Stanley "Economy Series" 36 Gallon Litter Receptacle. Standard Lid, Black Plastic Liner. Weight 170 lbs Each. Color Black.				4	782.80	3,131.20
Freight	Estimated Freight					306.00	306.00

Note: Quotations are for estimating purposes only and are subject to factory verification and confirmation. If shipping common carrier, customer is responsible for unloading. Victor Stanley Inc. manufactures all products to order and reserves the right to charge a 20% cancellation fee if order is canceled once in production.

TOTAL	\$3,437.20
--------------	------------

SIGNATURE



AVAILABLE OPTIONS:

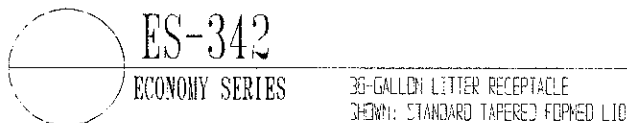
- POWDER COATING TO STANDARD COLORS, CUSTOM COLORS (INCLUDING THE PAL RANGE), CUSTOM PLAQUES & DECALS
- AVAILABLE WITH STEEL PLAQUES IN VARIOUS SIZES AND PRESSURE SENSITIVE VINYL CLIPBOARD DECALS.

NOTES:

- 1. DRAWINGS NOT TO SCALE. DO NOT SCALE DRAWINGS.
- 2. ALL FABRICATED METAL COMPONENTS ARE STEEL SHOTBLASTED, ETCHED, PHOSPHATIZED, PREHEATED, AND ELECTROSTATICALLY POWDER-COATED WITH T.G.I.C. POLYESTER POWDER COATINGS. PRODUCTS ARE FULLY CLEANED AND PRETREATED, PREHEATED AND COATED WHILE HOT TO FILL CREVICES AND BUILD FILM COATING. COATED PARTS ARE THEN FULLY CURED TO COATING MANUFACTURER'S SPECIFICATIONS. THE THICKNESS OF THE RESULTING FINISH AVERAGES 8-10 MILS (200-250 MICRONS).
- 3. THIS VICTOR STANLEY, INC. PRODUCT MUST BE PERMANENTLY AFFIXED TO THE GROUND. CONSULT YOUR LOCAL CODES FOR REGULATIONS.
- 4. VICTOR STANLEY, INC. PLASTIC INNER LINERS ARE MOLDED ON TOOLING DESIGNED FOR AND OWNED BY VICTOR STANLEY, INC. THEY OFFER MAXIMUM CAPACITY AND STRENGTH WITH LIGHTWEIGHT CONSTRUCTION USING CRITICAL MOLDED RIBS, INTEGRAL HANDLES, AND HIGH-STRENGTH MATERIALS. THIS MINIMIZES HANDLING DIFFICULTY AND FACILITATES EASY EMPTYING AND STORAGE WHILE AFFORDING LONG SERVICE LIFE.
- 5. ANCHOR BOLT NOT PROVIDED BY VICTOR STANLEY, INC.
- 6. FOR HIGH CALT ABUSIVE CLIMATES, HOT DIP GALVANIZING BEFORE POWDER COATING IS AVAILABLE. SEE WRITTEN SPECIFICATIONS FOR DETAILS.
- 7. ALL SPECIFICATIONS ARE SUBJECT TO CHANGE. CONTACT MANUFACTURER FOR DETAILS.
- 8. THIS PRODUCT IS SHIPPED BY PALLET.

NOTES:

- 1. DRAWINGS NOT TO SCALE. DO NOT SCALE DRAWINGS.
- 2. ALL FABRICATED METAL COMPONENTS ARE STEEL SHOTBLASTED, ETCHED, PHOSPHATIZED, PREHEATED, AND ELECTROSTATICALLY POWDER-COATED WITH T.G.I.C. POLYESTER POWDER COATINGS. PRODUCTS ARE FULLY CLEANED AND PRETREATED, PREHEATED AND COATED WHILE HOT TO FILL CREVICES AND BUILD FILM COATING. COATED PARTS ARE THEN FULLY CURED TO COATING MANUFACTURER'S SPECIFICATIONS. THE THICKNESS OF THE RESULTING FINISH AVERAGES 8-10 MILS (200-250 MICRONS).
- 3. THIS VICTOR STANLEY, INC. PRODUCT MUST BE PERMANENTLY AFFIXED TO THE GROUND. CONSULT YOUR LOCAL CODES FOR REGULATIONS.
- 4. VICTOR STANLEY, INC. PLASTIC INNER LINERS ARE MOLDED ON TOOLING DESIGNED FOR AND OWNED BY VICTOR STANLEY, INC. THEY OFFER MAXIMUM CAPACITY AND STRENGTH WITH LIGHTWEIGHT CONSTRUCTION USING CRITICAL MOLDED RIBS, INTEGRAL HANDLES, AND HIGH-STRENGTH MATERIALS. THIS MINIMIZES HANDLING DIFFICULTY AND FACILITATES EASY EMPTYING AND STORAGE WHILE AFFORDING LONG SERVICE LIFE.
- 5. ANCHOR BOLT NOT PROVIDED BY VICTOR STANLEY, INC.
- 6. FOR HIGH CALT ABUSIVE CLIMATES, HOT DIP GALVANIZING BEFORE POWDER COATING IS AVAILABLE. SEE WRITTEN SPECIFICATIONS FOR DETAILS.
- 7. ALL SPECIFICATIONS ARE SUBJECT TO CHANGE. CONTACT MANUFACTURER FOR DETAILS.
- 8. THIS PRODUCT IS SHIPPED BY PALLET.



Roarx, Rachel G.

From: George, Nicole A.
Sent: Friday, August 16, 2019 12:16 PM
To: Roarx, Rachel G.
Subject: RE: FW: Wood Lawn Garbage Cans- Action Needed

Can we replace the one at 317? While there currently isn't damage we have reason to believe that with the 4 broken gates this is only a matter of time. In the spirit of uniformity and efficiency let's add a 4th.

From: Roarx, Rachel G. <Rachel.Roarx@louisvilleky.gov>
Sent: Friday, August 16, 2019 11:25 AM
To: George, Nicole A. <Nicole.George@louisvilleky.gov>
Subject: RE: FW: Wood Lawn Garbage Cans- Action Needed

Proceeding with the replacement the 3 broken receptacles with the ES-342 to the price tag of \$2,348.40. This estimate doesn't include cost of freight.

Addresses and reasons for replacement:

- 324 Woodlawn- Missing door
- 308 Woodlawn- Door off the hinge
- 300 Woodlawn- Missing door

Thanks,

Rachel Roarx | Legislative Aide

Office of District 21 Councilwoman Nicole George
City Hall | 601 W. Jefferson St. | 3rd Floor
Office: (502) 574-1121



Click [here](#) to sign up for the District 21 eNewsletter!

From: George, Nicole A. <Nicole.George@louisvilleky.gov>
Sent: Friday, August 16, 2019 9:24 AM
To: Roarx, Rachel G. <Rachel.Roarx@louisvilleky.gov>
Subject: Fw: FW: Wood Lawn Garbage Cans- Action Needed

From: George, Nicole A.
Sent: Sunday, August 4, 2019 1:38 PM
To: Amy Talbott <atalbott28@gmail.com>
Cc: Terry O'Mahoney <tomahon@hotmail.com>; Betsy Ruhe <bruhe@bellsouth.net>; Roarx, Rachel G. <Rachel.Roarx@louisvilleky.gov>
Subject: FW: FW: Wood Lawn Garbage Cans- Action Needed

I did an inventory yesterday of garbage cans along Woodlawn. Per my count we have 5 receptacles in the following state: 3 are damaged without doors, 1 with no damage, and 1 is a different style similar to what is estimated below. (I'm not counting the one at the corner of Southern Pkwy and Woodlawn. Let me know if it should be counted.)

- 324 Woodlawn- Missing door
- 308 Woodlawn- Door off the hinge
- 300 Woodlawn- Missing door
- 307 Woodlawn- Different receptacle (similar I believe to the one quoted below)
- 317 Woodlawn- No damage

As I understand it we have 4 options:

1. Repair the 3 receptacle gates to the price tag of (\$3,600). I'm less inclined to do this, as I'm not confident future repair won't be needed.
2. Replace the 3 broken receptacles with the 42 to the price tag of \$2,348. This doesn't include freight.
3. Replace 4 receptacles so they match at \$3,131.20 plus freight.
4. Go with standard wire baskets for free. I'm less inclined to support this idea. These guys end up missing frequently and could be used in acts of vandalism.

Action: If we could get consensus on what is best for the corridor (and D21) I will work on a funding proposal.

From: Zoeller, Mark
Sent: Thursday, August 1, 2019 11:13 AM
To: George, Nicole A.
Cc: Roarx, Rachel G.; Duncan, Cathy
Subject: FW: FW: Wood Lawn Garbage Cans

CM George, I heard back from the supplier. The door is not a replacement part they offer and would have to be fabricated. Cost to replace with something similar to what is there is approx. 1200 plus shipping. I also asked him to quote a can without the door (less moving parts=less breakage). That number is highlighted below and cut sheets are attached.

Let me know if we can get any more info for you. Thanks

Mark E. Zoeller
Assistant Director, Facilities and Project Management
745 W. Main Street, Suite 300
Louisville, KY 40202
(502)574-0104



From: Jeff Miller
Sent: Thursday, August 1, 2019 9:17 AM
To: Zoeller, Mark
Subject: Re: FW: Wood Lawn Garbage Cans

CAUTION: This email came from outside of Louisville Metro. Do not click links or open attachments unless you recognize the sender and know the content is safe

Mark,

Here are 2 that are like the ones you have, without the side door. Both are 36 gallon and come with a standard lid.

The ES-342 \$782.80 plus freight
T-32 \$746.70 plus freight.

Jeff Miller

Streetscape Products Ltd.
3494 East Base Road
Greensburg, IN 47240
O: 866-662-9944
D: 812-662-9944
F: 812-662-9994
Streetscape Products Ltd.

Victor Stanley Site Furnishings

Ironsmith Site Furnishings

Old Town Fiberglass Planters

On Wed, Jul 31, 2019 at 3:42 PM Zoeller, Mark <Mark.Zoeller@louisvilleky.gov> wrote:

Thanks. Is there something comparable without the door? One less thing to break.

From: Jeff Miller
Sent: Wednesday, July 31, 2019 3:28 PM
To: Zoeller, Mark
Subject: Re: FW: Wood Lawn Garbage Cans

CAUTION: This email came from outside of Louisville Metro. Do not click links or open attachments unless you recognize the sender and know the content is safe

Mark,

The price for the SD-42, a 36 gallon receptacle, with standard lid and color does not include freight. TARC has the SD-35, a 24 gallon little brother to the SD-42 at several bus stops in town. We also have the SD-45, a 45 gallon receptacle.

SD-35 \$1062.10
SD-42 \$1157.10
SD-45 \$1261.60

Jeff Miller

Streetscape Products Ltd.
3494 East Base Road
Greensburg, IN 47240
O: 866-662-9944
D: 812-662-9944
F: 812-662-9994
Streetscape Products Ltd.

Victor Stanley Site Furnishings

Ironsmith Site Furnishings

Old Town Fiberglass Planters

On Wed, Jul 31, 2019 at 10:33 AM Zoeller, Mark wrote:

Cost?

From: Jeff Miller
Sent: Wednesday, July 31, 2019 9:48 AM
To: Zoeller, Mark
Subject: Re: FW: Wood Lawn Garbage Cans

CAUTION: This email came from outside of Louisville Metro. Do not click links or open attachments unless you recognize the sender and know the content is safe

Mark,

There was a Victor Stanley SD-42 side door receptacle at 200 E. Main St. You could see how the door is made and the larger hinge with stainless steel hinge pin. It was part of a pilot program with a sensor in the lid that would tell you when it was full.

Jeff Miller

Streetscape Products Ltd.

3494 East Base Road
Greensburg, IN 47240
O: 866-662-9944
D: 812-662-9944
F: 812-662-9994

Streetscape Products Ltd.

Victor Stanley Site Furnishings

Ironsmith Site Furnishings

Old Town Fiberglass Planters

On Wed, Jul 31, 2019 at 6:46 AM Zoeller, Mark <Mark.Zoeller@louisvilleky.gov> wrote:

Thanks, Jeff.

From: Jeff Miller

Sent: Tuesday, July 30, 2019 3:59 PM

To: Zoeller, Mark

Subject: Re: FW: Wood Lawn Garbage Cans

CAUTION: This email came from outside of Louisville Metro. Do not click links or open attachments unless you recognize the sender and know the content is safe

Mark,

That is a Victor Stanley plastic liner but the receptacle is not. All of our side door receptacles have solid steel top rings.

I can quote you replacements with a door that wont break.

Jeff Miller

Streetscape Products Ltd.

3494 East Base Road
Greensburg, IN 47240
O: 866-662-9944
D: 812-662-9944

F: 812-662-9994

Streetscape Products Ltd.

Victor Stanley Site Furnishings

Ironsmith Site Furnishings

Old Town Fiberglass Planters

On Tue, Jul 30, 2019 at 3:09 PM Zoeller, Mark wrote:

Mark E. Zoeller
Assistant Director, Facilities and Project Management
745 W. Main Street, Suite 300
Louisville, KY 40202
(502)574-0104

The information contained in this communication from the sender is confidential. It is intended solely for use by the recipient and others authorized to receive it. If you are not the recipient, you are hereby notified that any disclosure, copying, distribution or taking action in relation of the contents of this information is strictly prohibited and may be unlawful.