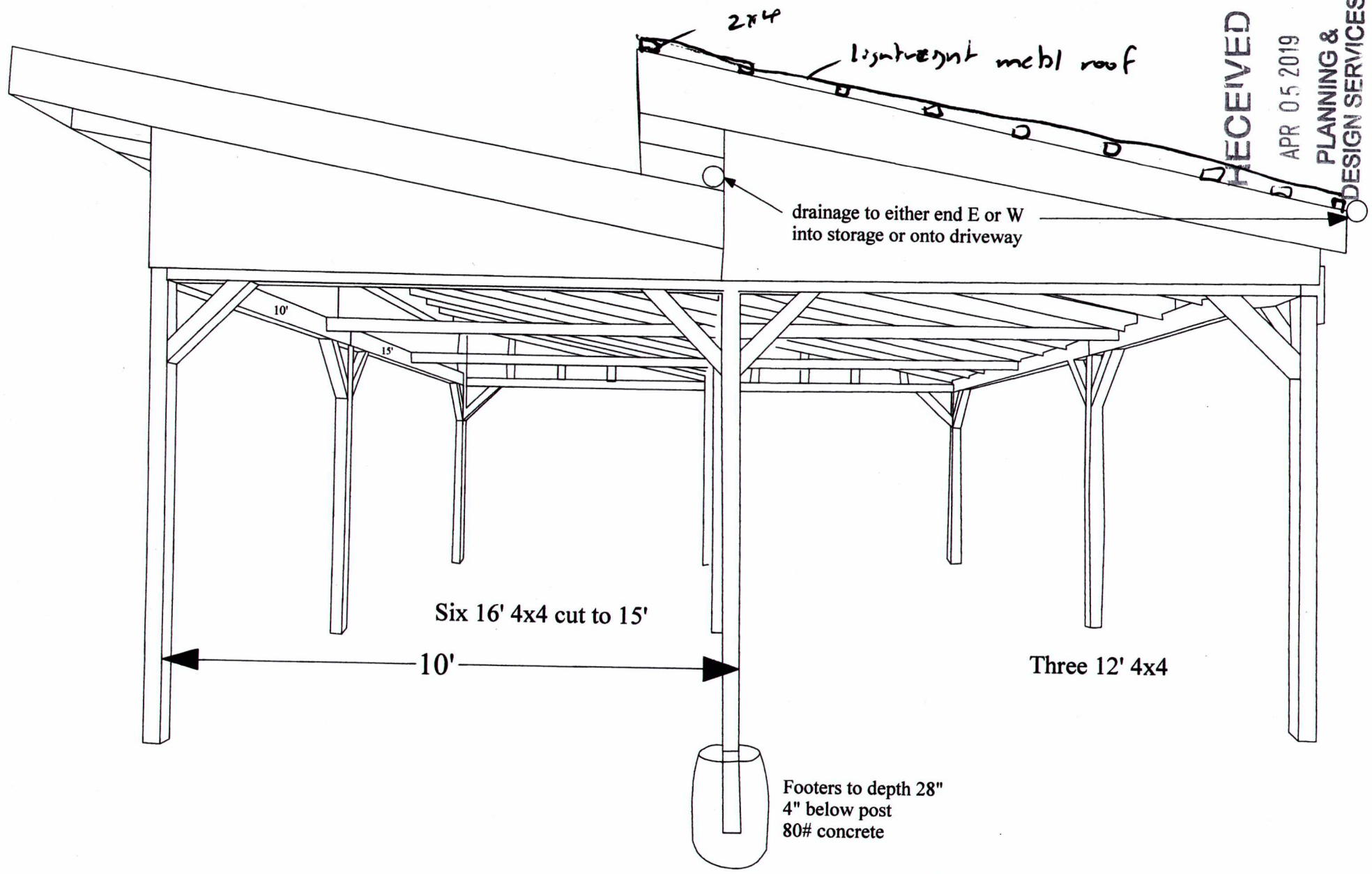


RECEIVED  
APR 05 2019  
PLANNING &  
DESIGN SERVICES



19VARIANCE1032

122 S Peterson Ave. 40206

Carport  
drawing by Tim Allen

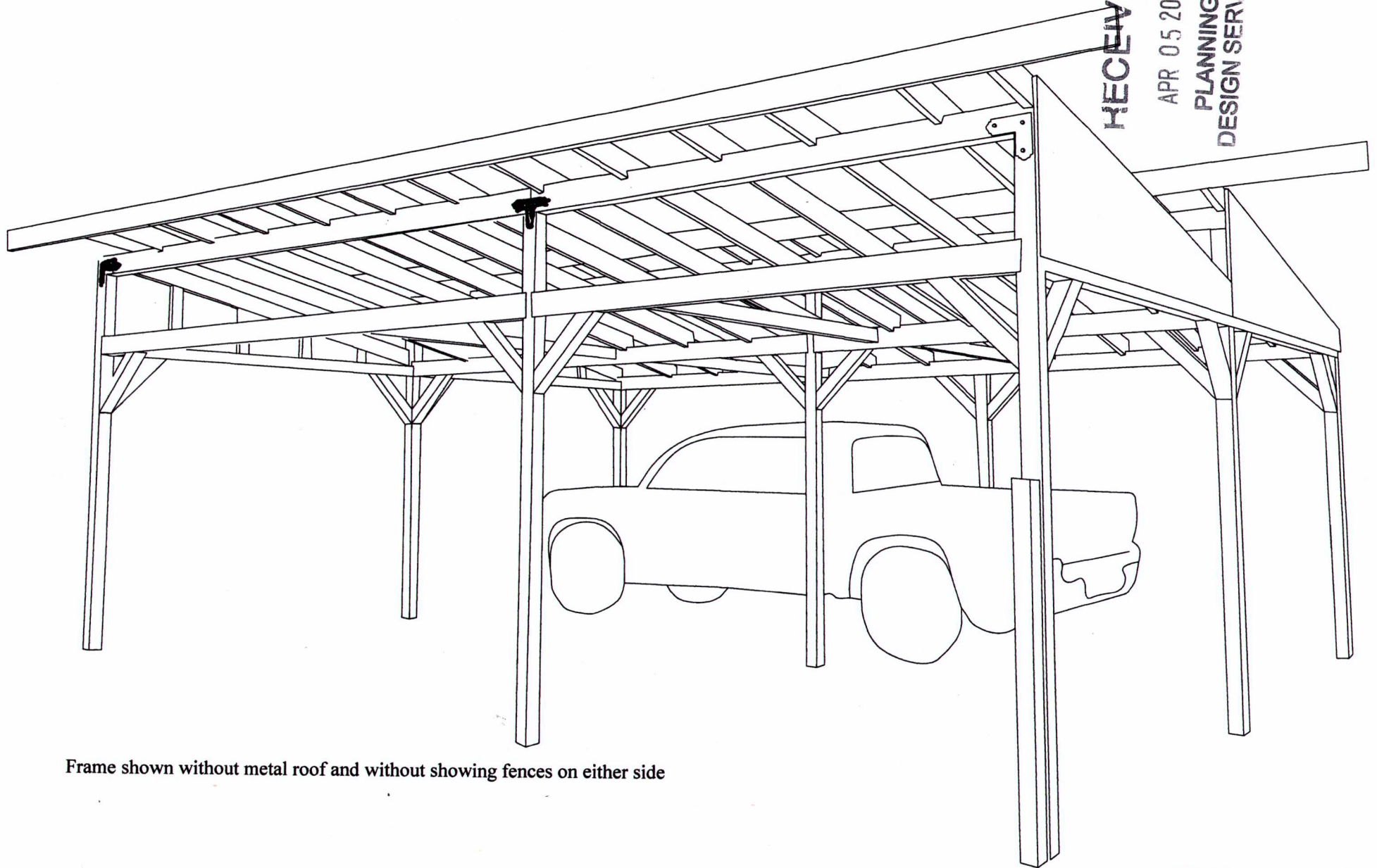
West perspective

20190401

RECEIVED

APR 05 2019

PLANNING &  
DESIGN SERVICES



Frame shown without metal roof and without showing fences on either side

19VARIANCE1032

122 S Peterson Ave. 40206

Carport  
drawing by Tim Allen

Northwest perspective

20190319

RECEIVED

APR 05 2019

PLANNING & DESIGN SERVICES

S

Neighbors  
7' fence

28'

616 ft<sup>2</sup>

TOP

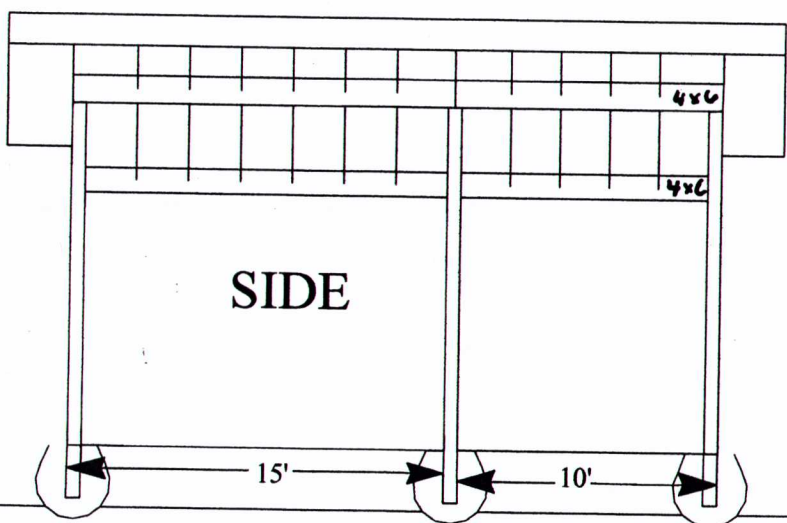
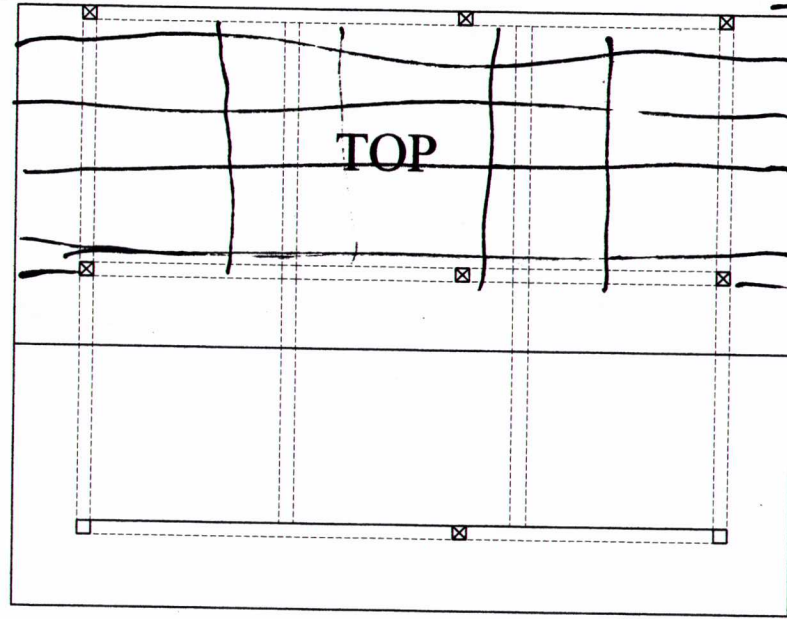
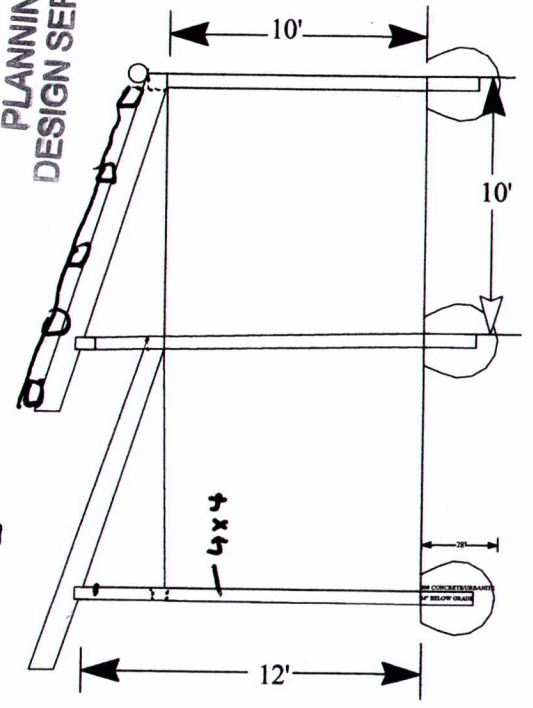
22'

Entrance from  
Alley  
→  
Peterson/Ewing

HOUSE

W

N



10'

19VARIANCE103Z

122 S Peterson Ave. 40206

Carport  
drawing by Tim Allen

3V Drawing  
20190401