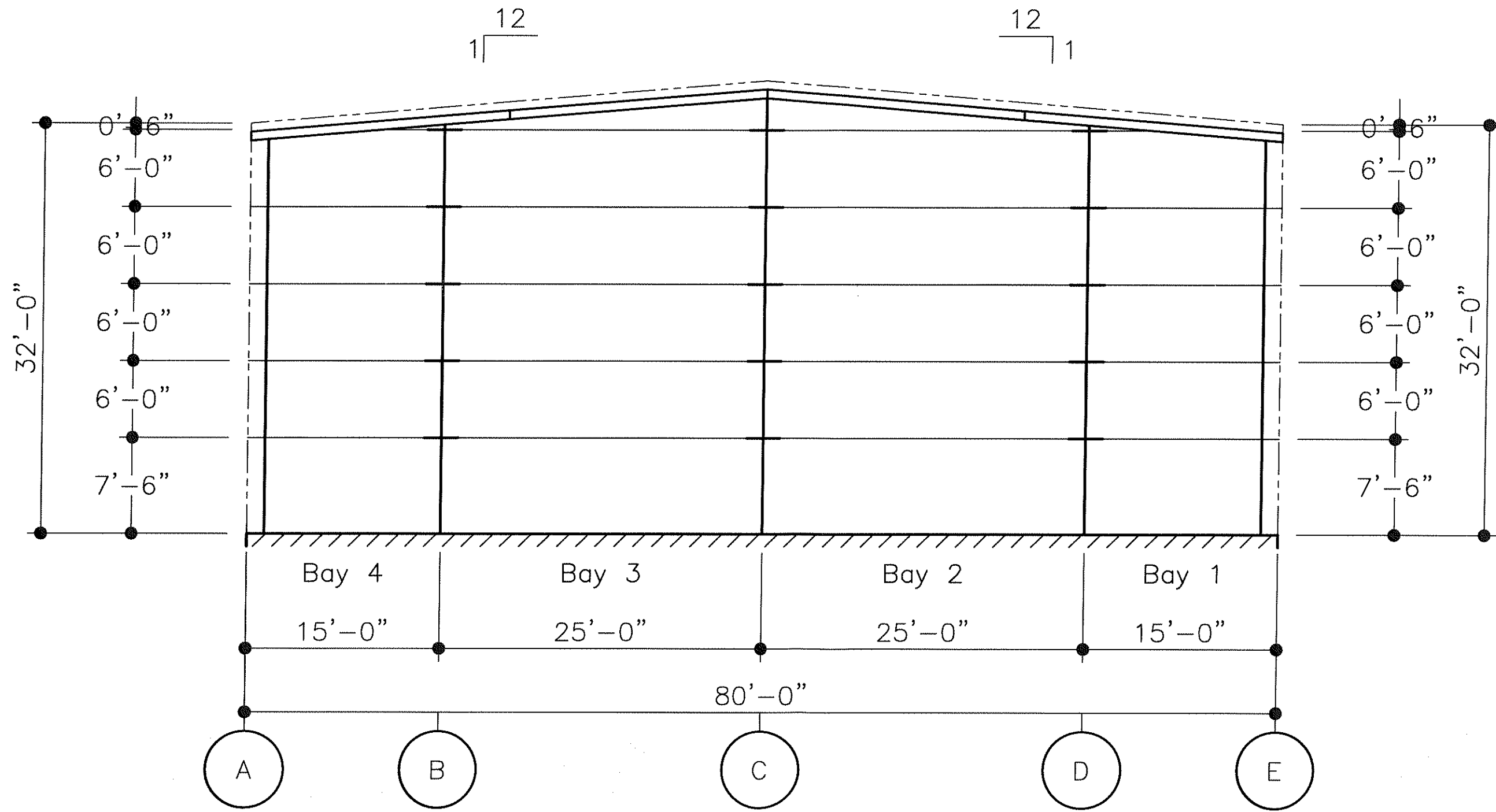
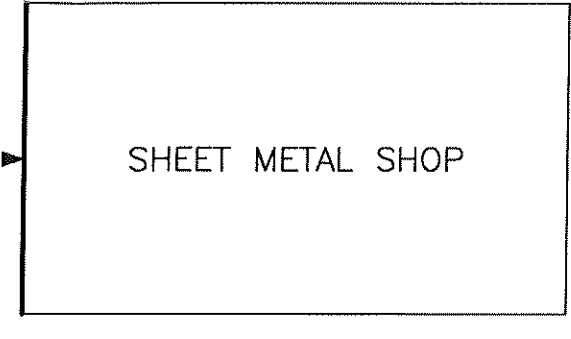
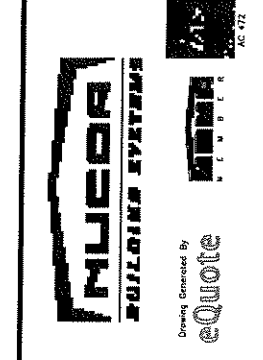


NET PLAN



ELEVATION AT LINE 1



PROJECT NAME:  
 INTERTECH  
 LOUISVILLE, KY  
 CUSTOMER NAME:  
 JEFF ROBARDS  
 SHEPHERDSVILLE, KY

**DO NOT USE FOR FINAL CONSTRUCTION**

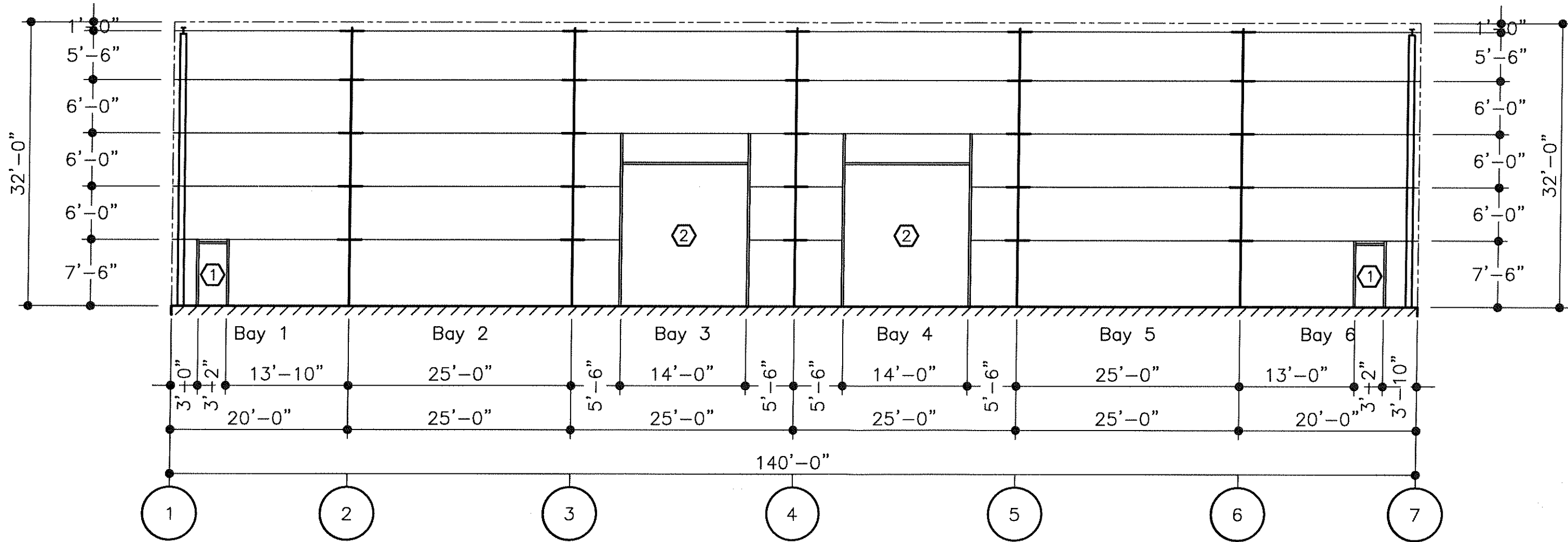
EET TITLE:  
 10/18/2019 5:14 AM  
 RELIMINARY STRUCTURAL ELEVATIONS

EET NUMBER:  
 ST5

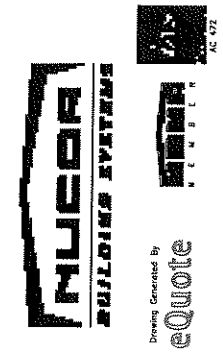
QUOTE NUMBER:  
 10171901

SHEET METAL SHOP

(D)	QTY	WIDTH	HEIGHT	SILL HEIGHT	LOCATED
1	2	3'-2"	7'-0"	0'-0"	FACTORY
2	2	14'-0"	16'-0"	0'-0"	FACTORY

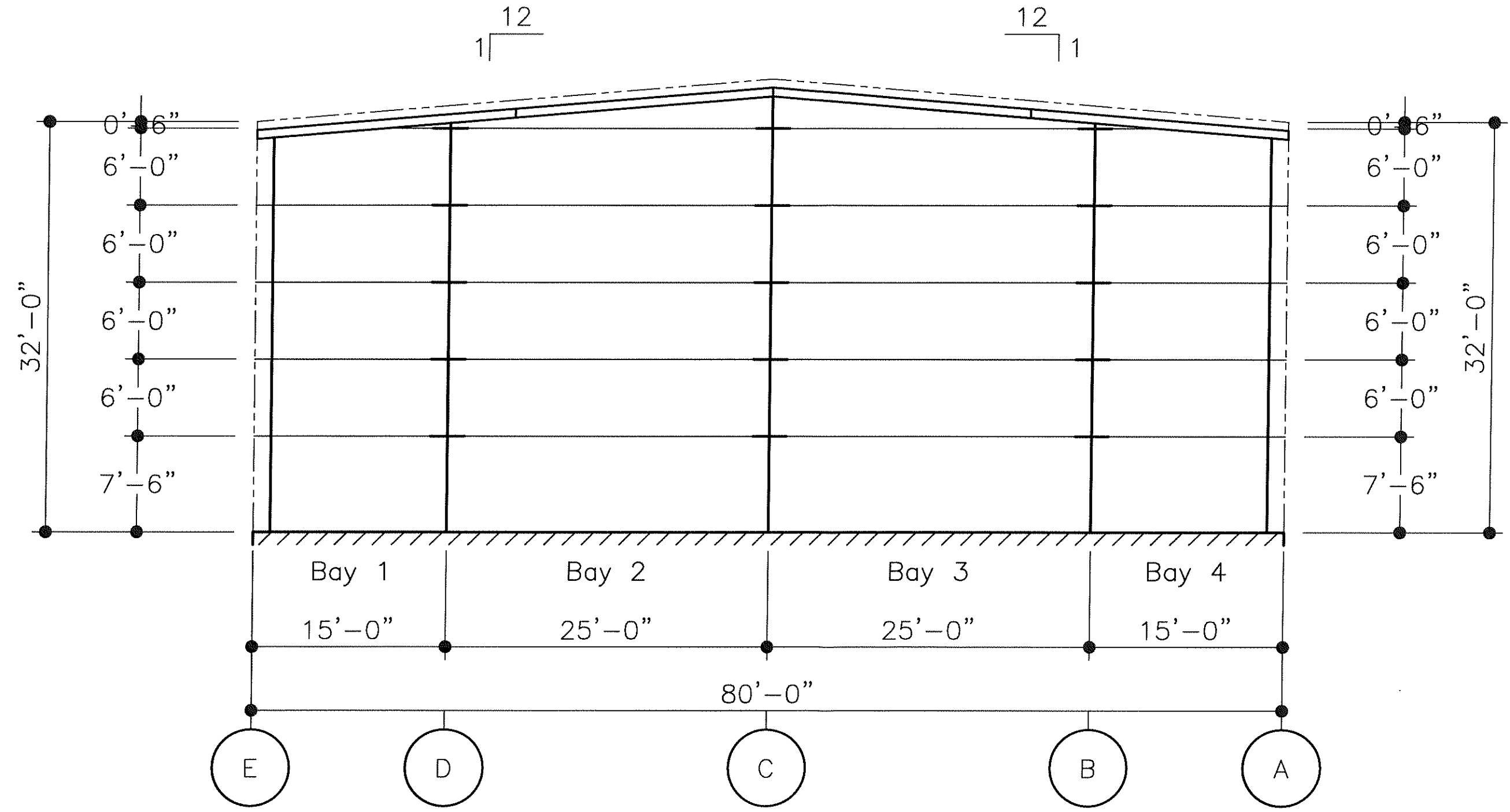
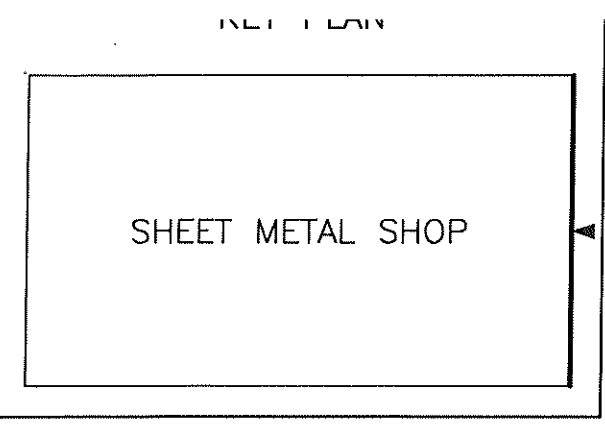


ELEVATION AT LINE E

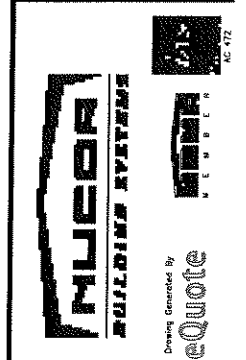


PROJECT NAME:  
**INTERTECH**  
 LOUISVILLE, KY  
 CUSTOMER NAME:  
**JEFF ROBARDS**  
 SHEPHERDSVILLE, KY

**DO NOT USE FOR FINAL CONSTRUCTION**  
 EET TITLE:  
**RELIMINARY STRUCTURAL ELEVATIONS**  
 EET NUMBER:  
**ST6**  
 10/18/2019 5:14 AM  
 QUOTE NUMBER:  
**10171901**



ELEVATION AT LINE 7

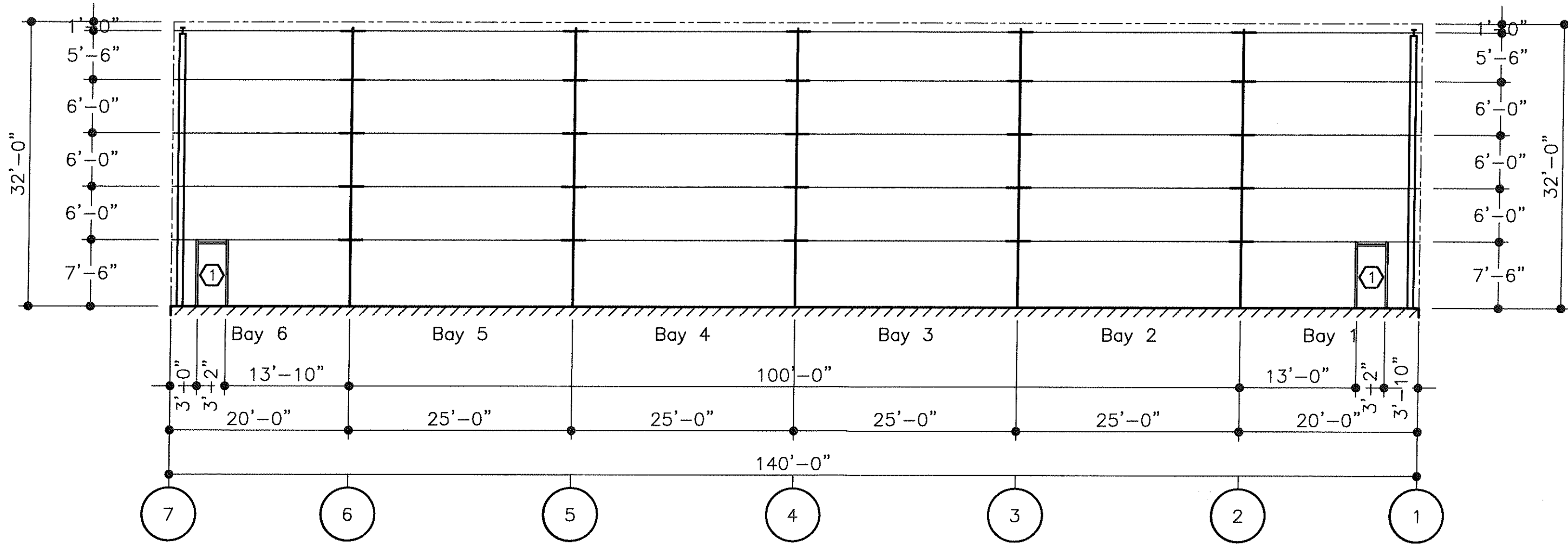


PROJECT NAME:  
**INTERTECH**  
 LOUISVILLE, KY  
 CUSTOMER NAME:  
**JEFF ROBARDS**  
 SHEPHERDSVILLE, KY

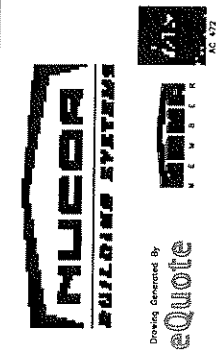
**DO NOT USE FOR FINAL CONSTRUCTION**  
 EET TITLE:  
**RELIMINARY STRUCTURAL ELEVATIONS**  
 EET NUMBER:  
**ST7**  
 QUOTE NUMBER:  
**10171901**  
 10/18/2019 5:14 AM

SHEET METAL SHOP

(D)	QTY	WIDTH	HEIGHT	SILL HEIGHT	LOCATED
1	2	3'-2"	7'-0"	0'-0"	FACTORY

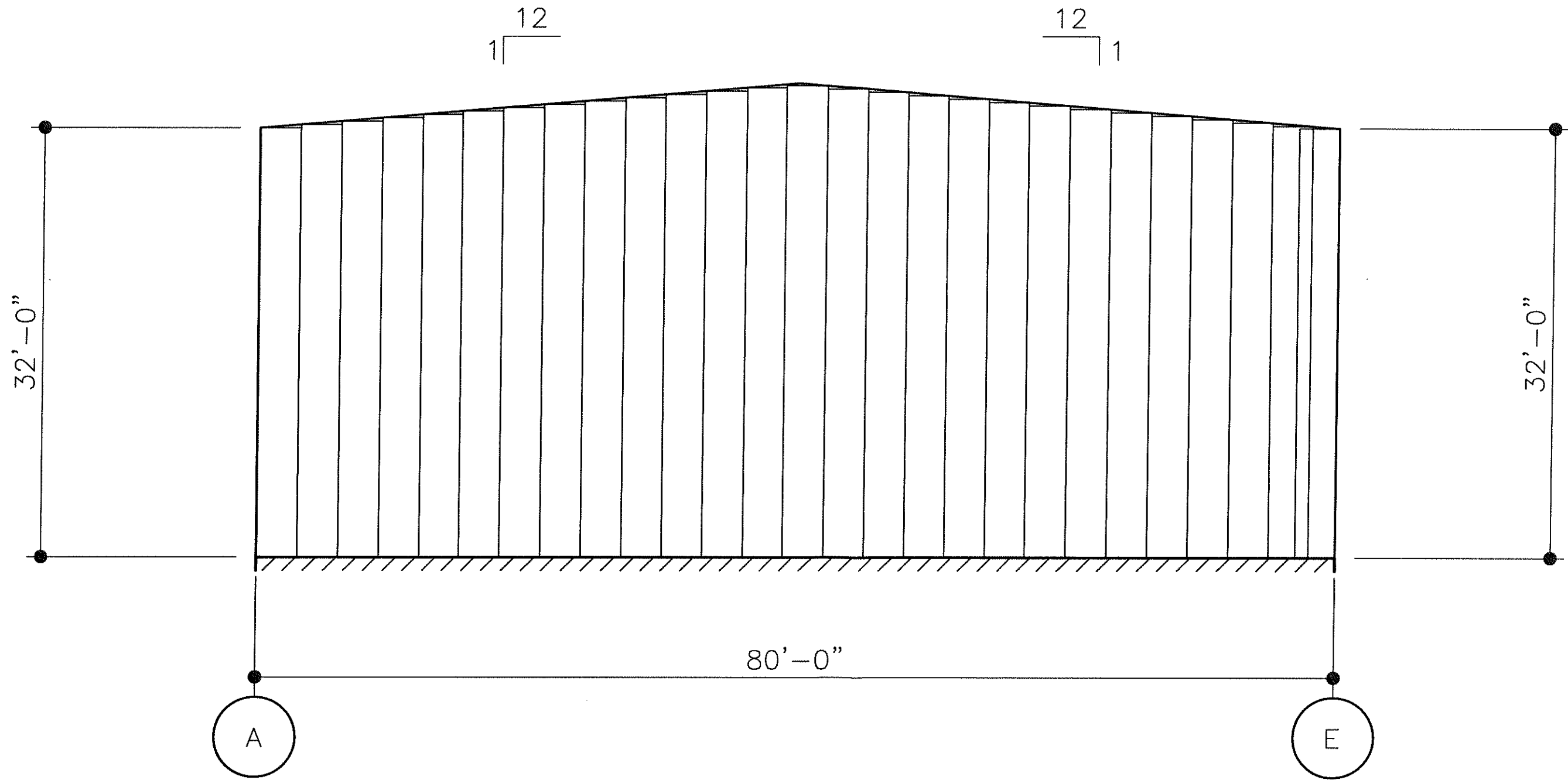
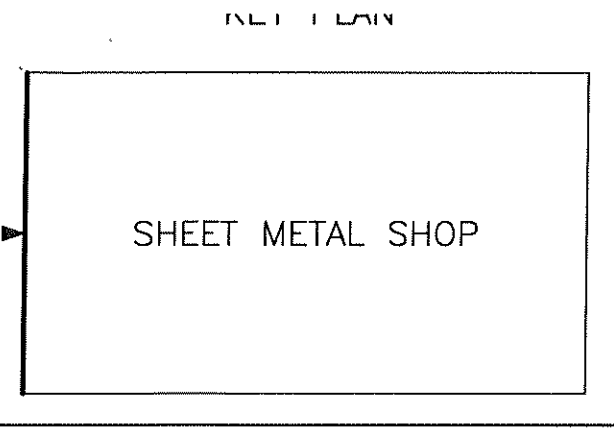


ELEVATION AT LINE A



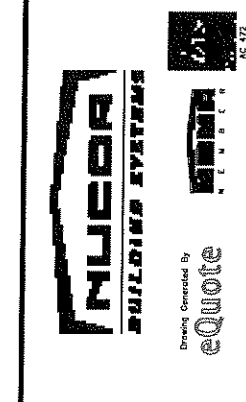
PROJECT NAME:  
**INTERTECH**  
 LOUISVILLE, KY  
 CUSTOMER NAME:  
**JEFF ROBARDS**  
 SHEPHERDSVILLE, KY

**DO NOT USE FOR FINAL CONSTRUCTION**  
 EET TITLE: 10/18/2019 5:14 AM  
**RELIMINARY STRUCTURAL ELEVATIONS**  
 EET NUMBER: QUOTE NUMBER: 10171901  
 ST8



**WALL SHEETING ELEVATION AT LINE 1**

PANELS: 26 GA. CLASSIC WALL - TBS

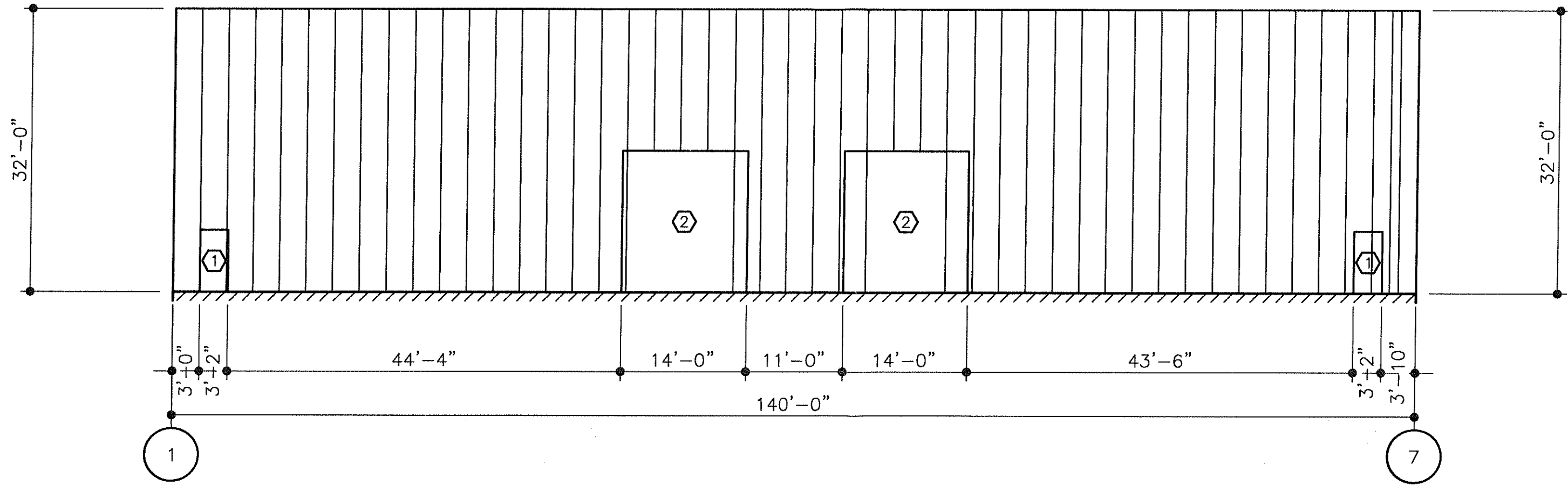


PROJECT NAME:  
**INTERTECH**  
 LOUISVILLE, KY  
 CUSTOMER NAME:  
**JEFF ROBARDS**  
 SHEPHERDSVILLE, KY

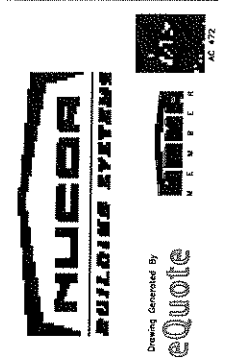
**DO NOT USE FOR FINAL CONSTRUCTION**  
 EET TITLE: 10/18/2019 5:14 AM  
**RELIMINARY SHEETING ELEVATIONS**  
 EET NUMBER: WS5 | QUOTE NUMBER: 10171901

SHEET METAL SHOP

ID	QTY	WIDTH	HEIGHT	SILL HEIGHT	LOCATED
1	2	3'-2"	7'-0"	0'-0"	FACTORY
2	2	14'-0"	16'-0"	0'-0"	FACTORY

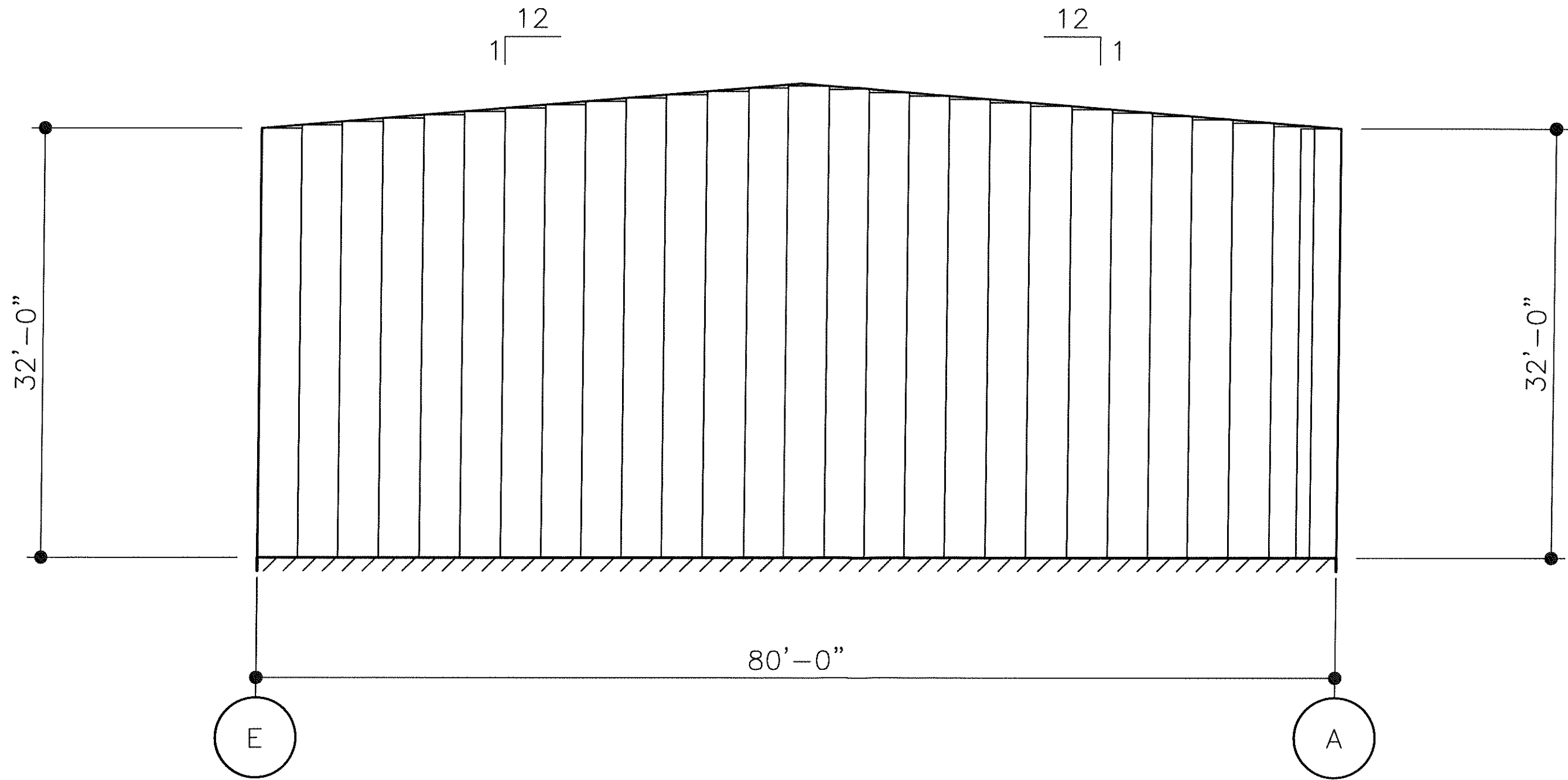
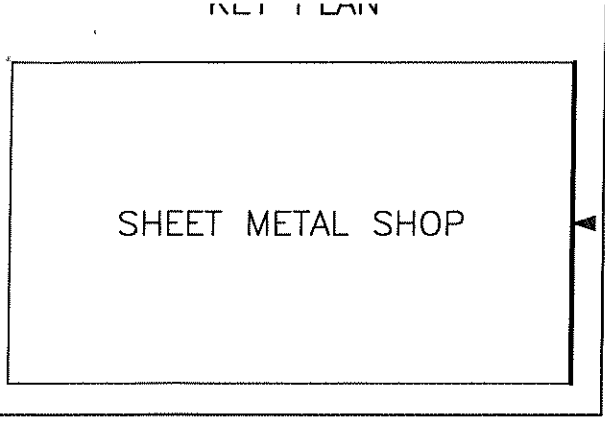


**WALL SHEETING ELEVATION AT LINE E**  
 PANELS: 26 GA. CLASSIC WALL - TBS



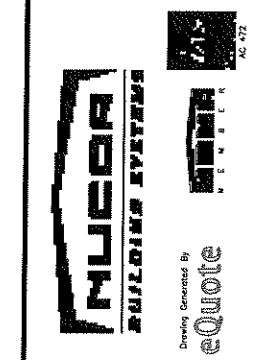
PROJECT NAME:  
 INTERTECH  
 LOUISVILLE, KY  
 CUSTOMER NAME:  
 JEFF ROBARDS  
 SHEPHERDSVILLE, KY

**DO NOT USE FOR FINAL CONSTRUCTION**  
 EET TITLE:  
 RELIMINARY SHEETING ELEVATIONS  
 EET NUMBER:  
 WS6  
 10/18/2019 5:14 AM  
 QUOTE NUMBER:  
 10171901



**WALL SHEETING ELEVATION AT LINE 7**

PANELS: 26 GA. CLASSIC WALL - TBS



PROJECT NAME:  
**INTERTECH**  
 LOUISVILLE, KY

CUSTOMER NAME:  
**JEFF ROBARDS**  
 SHEPHERDSVILLE, KY

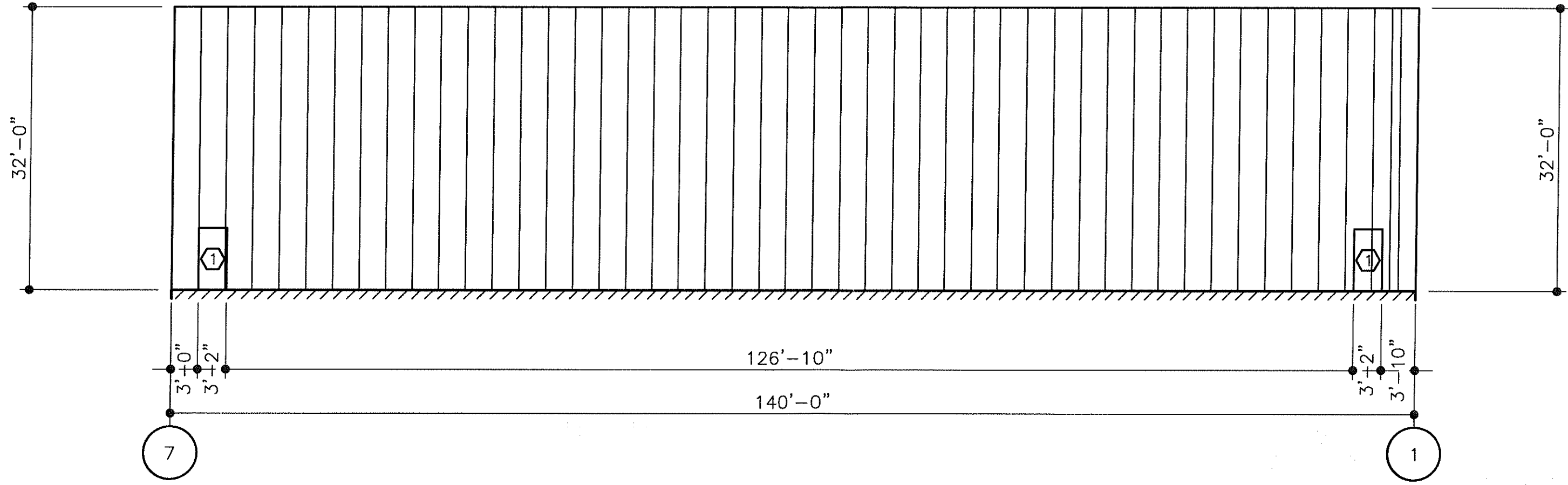
**DO NOT USE FOR FINAL CONSTRUCTION**

EET TITLE: 10/18/2019 5:14 AM  
**RELIMINARY SHEETING ELEVATIONS**

EET NUMBER: **WS7** | QUOTE NUMBER: **10171901**

SHEET METAL SHOP

(D)	QTY	WIDTH	HEIGHT	SILL HEIGHT	LOCATED
1	2	3'-2"	7'-0"	0'-0"	FACTORY



**WALL SHEETING ELEVATION AT LINE A**  
 PANELS: 26 GA. CLASSIC WALL - TBS



PROJECT NAME:  
 INTERTECH  
 LOUISVILLE, KY  
 CUSTOMER NAME:  
 JEFF ROBARDS  
 SHEPHERDSVILLE, KY

**DO NOT USE FOR FINAL CONSTRUCTION**  
 EET TITLE: 10/18/2019 5:14 AM  
 RELIMINARY SHEETING ELEVATIONS  
 EET NUMBER: QUOTE NUMBER: 10171901  
 WS8