

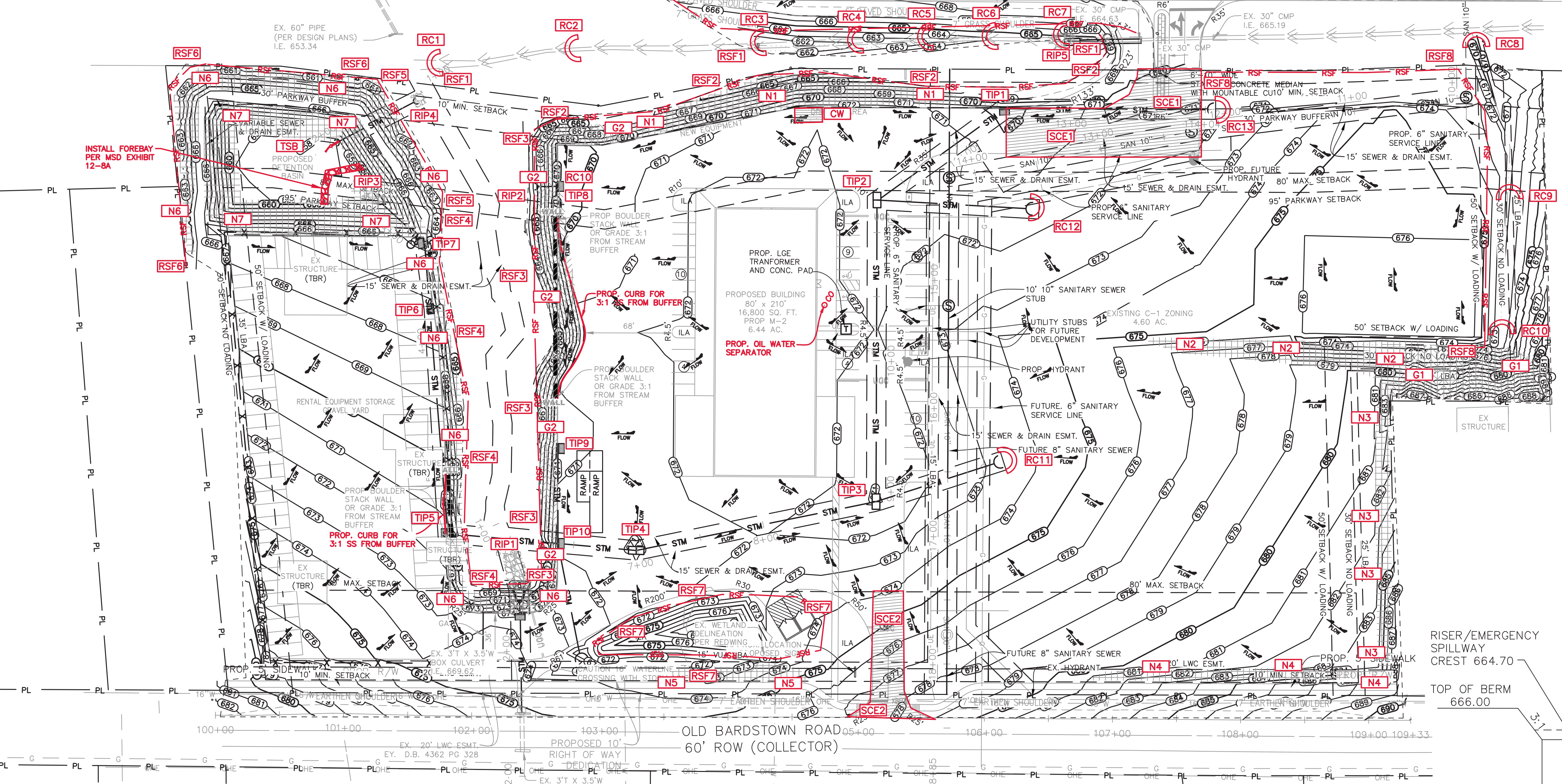
LEGEND

- REINFORCED SILT FENCE [RSF]
SILT FENCE [SF]
STABILIZED CONSTRUCTION ENTRANCE [SCE]
TEMPORARY INLET PROTECTION [TIP]
INSTALL NORTH AMERICAN GREEN SC150 EROSION CONTROL BLANKET OR EQUIVALENT [N]
INSTALL NORTH AMERICAN GREEN P300 EROSION CONTROL BLANKET OR EQUIVALENT LARGE DITCH BOTTOM TO ELEV. 451.00
LIMITS OF DISTURBANCE
ROCK DITCH CHECK [RC]
MAJOR CONTOUR (EXISTING)
MINOR CONTOUR (EXISTING)
MAJOR CONTOUR (PROPOSED)
MINOR CONTOUR (PROPOSED)
CONCRETE WASHOUT
PROPOSED FLOW DIRECTION

- CONCRETE WASHOUT AREA [CW]
MULTI-PURPOSE DETENTION BASIN/SEDIMENT BASIN [TSB]
RIP RAP 20 FT LENGTH BY CULVERT DIAMETER WIDTH (AS SHOWN) AND ENERGY DISSIPATORS IN HEADWALL APRONS AT OUTLET ENDS OF HEADWALL [RIP]
STABILIZED CONSTRUCTION ENTRANCE EF-01-03
STONE BAG INLET PROTECTION EF-03-02
DANDY CURB BAG OR EQUIVALENT EF-05-02
HEADWALL INLET PROTECTION EF-05-02
TEMPORARY SEDIMENT BASIN MSD EXHIBIT 12-8A
SILT FENCE EF-09-02
REINFORCED SILT FENCE EF-10-02

SILT FENCE TRAPPING EFFICIENCY
REINFORCED SILT FENCE 1: 90.8%
REINFORCED SILT FENCE 2: 86.3%
REINFORCED SILT FENCE 3: 87.9%
REINFORCED SILT FENCE 4: 90.5%
REINFORCED SILT FENCE 5: 93.9%
REINFORCED SILT FENCE 6: 90.0%
REINFORCED SILT FENCE 7: 87.6%

CONSTRUCTION LIMITS = 10.54 AC.



EPSC MAINTENANCE SCHEDULE
EACH BMP SHOWN ON THE EROSION PREVENTION AND SEDIMENT CONTROL PLAN MUST BE INSPECTED AND NOTED BY THE EPSC CERTIFIED INSPECTOR EVERY 7 CALENDAR DAYS AND WITHIN 24 HOURS OF A HALF INCH OR GREATER STORM EVENT.

KYTC NOTE
CONTRACTOR TO FOLLOW KYTC SPECIFICATION AS THEY APPLY FOR ANY EROSION CONTROL INSTALLED WITHIN THE KYTC RIGHT-OF-WAY.

EPSC PHASING AND SEQUENCING

- 1. CONTACT MSD INSPECTOR FOR PRE-CONSTRUCTION MEETING PRIOR TO ANY EROSION CONTROL INSTALLATION.
2. PRIOR TO ANY CLEARING OR GRADING WORK, CONTRACTOR SHALL INSTALL CONSTRUCTION ENTRANCE, SILT FENCE AND STONE BAG INLET PROTECTION/ DANDY BAG OR EQUIVALENT AT EXISTING BASINS.
3. DRAIN LINE 1 AND DETENTION BASIN SHALL BE CONSTRUCTED FIRST. DETENTION BASIN TO BE USED AND USED AS A TEMPORARY SEDIMENT BASIN. INSTALL SEDIMENT BASIN RISER WITH MARLEE FLOAT SKIMMER WITH 8" ORIFICE OR EQUIVALENT. INSTALL ROCK DITCH CHECK AT LOCATION OF FUTURE STRUCTURE 16.
4. BEGIN GRADING FOR AND INSTALL DRAINLINE 1-E (STRUCTURES 16 & 17). REMOVE SILT FENCE 3 TO ALLOW ROOM FOR HEADWALL. STRUCTURE 17 AND REPLACE SILT FENCE ONCE COMPLETED. ROCK DITCH CHECK AT STRUCTURE 16 MAY BE REMOVED AND TEMPORARY INLET PROTECTION INSTALLED ONLY AFTER GRADING IS COMPLETED AND TEMPORARY INLET PROTECTION INSTALLED FOR DRAIN LINE 1.
5. COMMENCE REMAINING SITE GRADING.
6. ALL VEGETATED AREAS ARE TO BE MULCHED AND SEED AS SOON AS POSSIBLE AFTER GRADING IS COMPLETED.
7. INSTALL STORM PIPE SYSTEM. INSTALL INLET PROTECTION AT PROPOSED BASINS AS THEY ARE CONSTRUCTED. PIPE 14 THE INTO EXISTING DITCHLINE TO BE STABILIZED AS CONSTRUCTED.
8. SEDIMENT CONTROL STRUCTURES SHALL BE CLEANED ONCE DEPOSITED SEDIMENT REACHES 1/4 THE HEIGHT OF THE STRUCTURE OR FOLLOWING EVERY EVENT GREATER THAN 0.5 INCHES OF PRECIPITATION.
9. CONTRACTOR SHALL PERFORM FINAL GRADING AND SEED/STRAW ALL DISTURBED AREAS AS THEY ARE BROUGHT TO FINAL GRADE.
10. COMPENSATION BASINS SHALL BE CLEANED OF ALL SEDIMENT AND RESTORED TO APPROVED ELEVATIONS/VOLUME.
11. UPON ACHIEVING STABILIZATION OF DISTURBED AREAS, EROSION CONTROL MEASURES MAY BE REMOVED, TAKING CARE NOT TO DISTURB VEGETATION THROUGH THE REMOVAL. STABILIZE ANY AREAS DISTURBED BY THESE REMOVALS.

MSD EROSION PREVENTION AND SEDIMENT CONTROL NOTE:

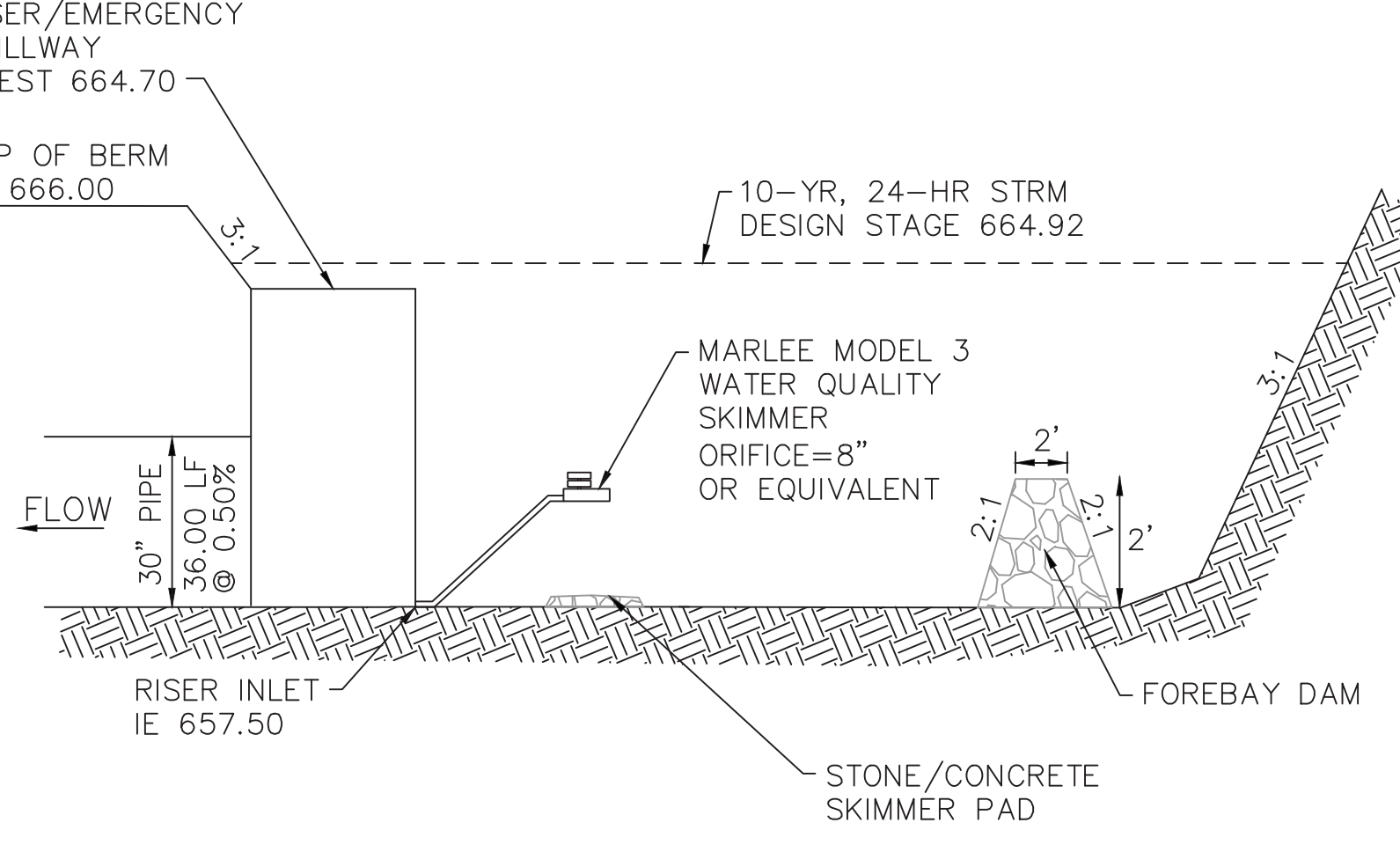
THE APPROVED EROSION PREVENTION AND SEDIMENT CONTROL (EPSC) PLAN SHALL BE IMPLEMENTED PRIOR TO ANY LAND-DISTURBING ACTIVITY ON THE CONSTRUCTION SITE. ANY MODIFICATIONS TO THE APPROVED EPSC PLAN MUST BE REVIEWED AND APPROVED BY MSD'S PRIVATE DEVELOPMENT REVIEW OFFICE. EPSC BMP'S SHALL BE INSTALLED PER THE PLAN AND MSD STANDARDS.

DETENTION BASINS, IF APPLICABLE, SHALL BE CONSTRUCTED FIRST AND SHALL PERFORM AS SEDIMENT BASINS DURING CONSTRUCTION UNTIL THE CONTRIBUTING AREAS ARE SEED AND STABILIZED.

ACTIONS MUST BE TAKEN TO MINIMIZE THE TRACKING OF MUD AND SOIL FROM CONSTRUCTION AREAS ONTO PUBLIC ROADWAYS. SOIL TRACKED ONTO THE ROADWAY SHALL BE REMOVED DAILY. SOIL STOCKPILES SHALL BE LOCATED AWAY FROM STREAMS, PONDS, SWALES, AND CATCH BASINS. STOCKPILES SHALL BE SEED, MULCHED, AND ADEQUATELY CONTAINED THROUGH THE USE OF SILT FENCE.

ALL STREAM CROSSINGS MUST UTILIZE LOW - WATER CROSSING STRUCTURES PER MSD STANDARD DRAWING ER-02. SEDIMENT - LADEN GROUNDWATER ENCOUNTERED DURING TRENCHING, BORING, OR OTHER EXCAVATION ACTIVITIES SHALL BE PUMPED TO A SEDIMENT TRAPPING DEVICE PRIOR TO BEING DISCHARGED INTO A STREAM, POND, SWALE, OR CATCH BASIN.

WHERE CONSTRUCTION OR LAND DISTURBING ACTIVITY WILL OR HAS TEMPORARILY CEASED ON ANY PORTION OF A SITE, TEMPORARY SITE STABILIZATION MEASURES SHALL BE REQUIRED AS SOON AS PRACTICABLE, BUT NO LATER THAN 14 CALENDAR DAYS AFTER THE ACTIVITY HAS CEASED.



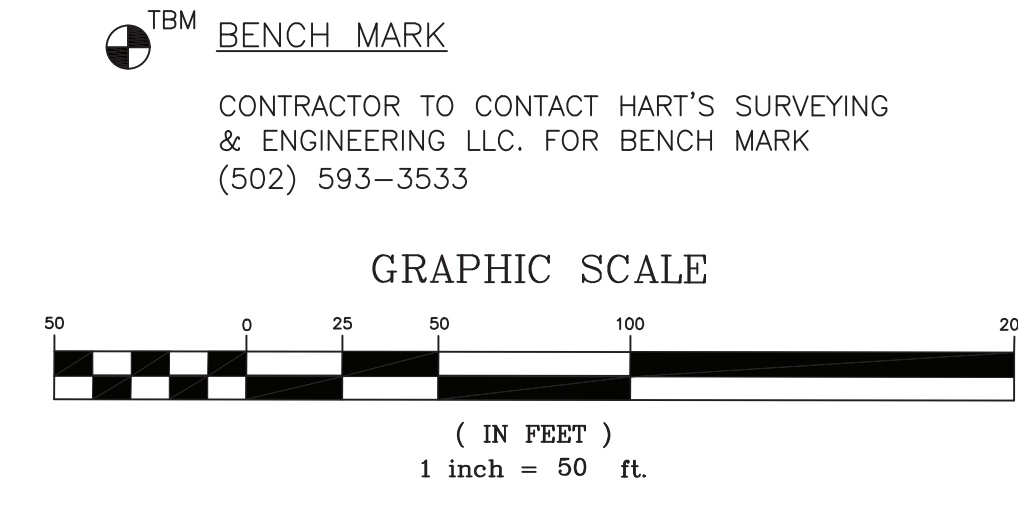
TEMPORARY SEDIMENT BASIN OUTLET STRUCTURE

NOT TO SCALE
REFER TO MSD STD DWG EB-03-01

EPSC INSTALLATION NOTES
THE EROSION PREVENTION AND SEDIMENT CONTROL DEVICES SHOWN ON THIS PLAN SET ARE INTENDED TO BE THE MINIMUM CONTROL MEASURES. ADDITIONAL EPSC DEVICES MAY BE NEEDED TO BE INSTALLED AS NECESSARY BY THE CONTRACTOR TO PREVENT EROSION AND SEDIMENTATION.

UTILITY NOTE
ALL UTILITIES ON THESE PLANS ARE APPROXIMATE. THE CONTRACTOR OR SUBCONTRACTORS SHALL NOTIFY THE UTILITY PROTECTION CENTER 'B.U.D.' (TOLL FREE PHONE NO. 1-800-382-5544) 48 HOURS IN ADVANCE OF ANY CONSTRUCTION ON THIS PROJECT. THIS NUMBER WAS ESTABLISHED TO PROVIDE ACCURATE LOCATIONS OF EXISTING BELOW GROUND UTILITIES (IE CABLES, ELECTRIC WIRES, GAS AND WATER LINES). THE CONTRACTOR SHALL BE RESPONSIBLE FOR BECOMING FAMILIAR WITH ALL UTILITY REQUIREMENTS SET FORTH ON THE PLANS AND IN THE TECHNICAL SPECIFICATIONS AND SPECIAL PROVISIONS.

CONTRACTOR TO CONTACT HART'S SURVEYING & ENGINEERING LLC. FOR BENCH MARK (502) 593-3533
CONTRACTOR SHALL BE RESPONSIBLE FOR DETERMINING THE EXACT LOCATION, NATURE AND STATUS OF ALL EXISTING UTILITIES WITHIN THE CONSTRUCTION AREA WHETHER SHOWN ON THE PLANS OR NOT, AND SHALL EXTEND, ADJUST OR RECONSTRUCT TO THE SIZE AND LOCATION AS SHOWN ON THE ARCHITECTS PLANS.



ACCURUS ENGINEERING
2710 JEFFERSON CENTER WALK, SUITE 204
JEFFERSONVILLE, IN 47130
PHONE: (502) 832-3640
WWW.ACCURUSENGINE.COM
SITE PLANS - EROSION CONTROL - TRAFFIC CONTROL - ROADWAY AND DRAINAGE DESIGN

Professional Engineer Seal for Scott Moser, License No. 20974, State of Kentucky. Includes project information: Scale: 1" = 50', Design Date: 06-27-19, Print Date & Time: 12/15/2020 8:58 PM, Survey Date: 04-01-17.

Project: 9205 OLD BARDSTOWN ROAD
Parcel No. TAX BLOCK 61, LOT 116
Developer: J & B LOUISVILLE LLC
Owner: BLUEGRASS HOLDINGS LLC - C/O JACOBI SALES INC
48 NORTH WASHINGTON STREET
BLOOMFIELD, IN 47424
PALMYRA, IN 47164
Sheet Title: CONTOUR GRADING & EROSION CONTROL PLAN
MSD WM NO. 8770
C1.6 of C1.30