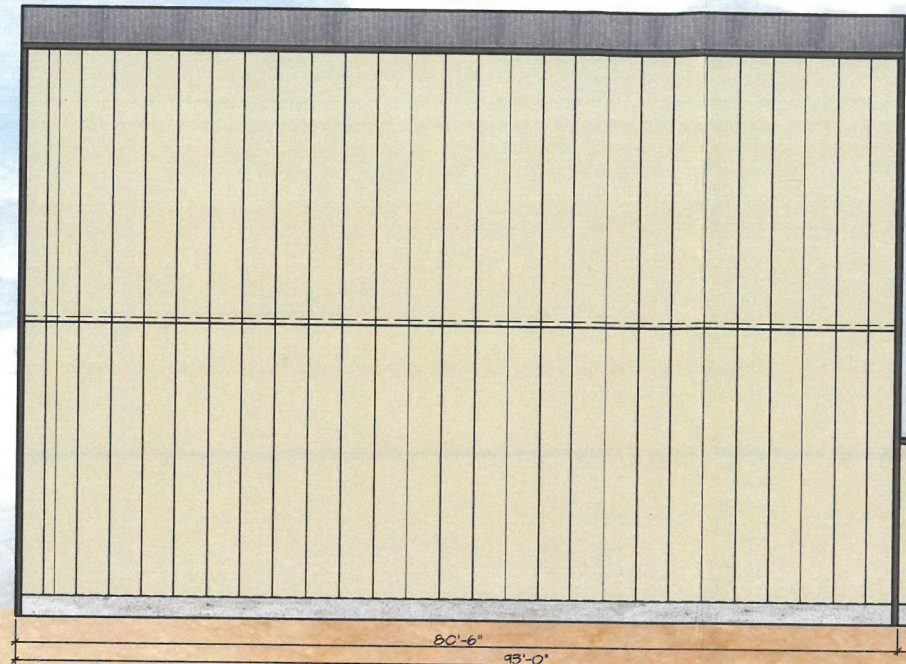
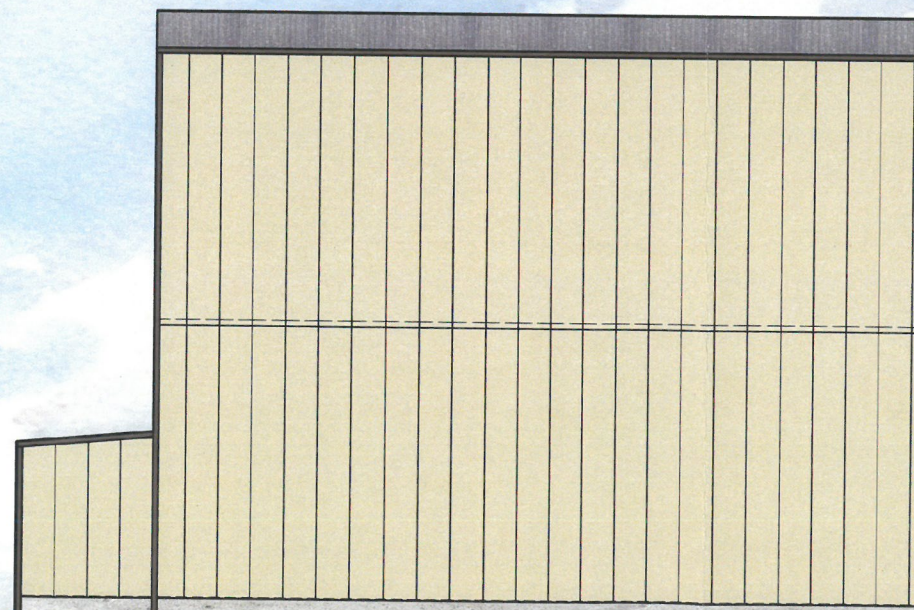
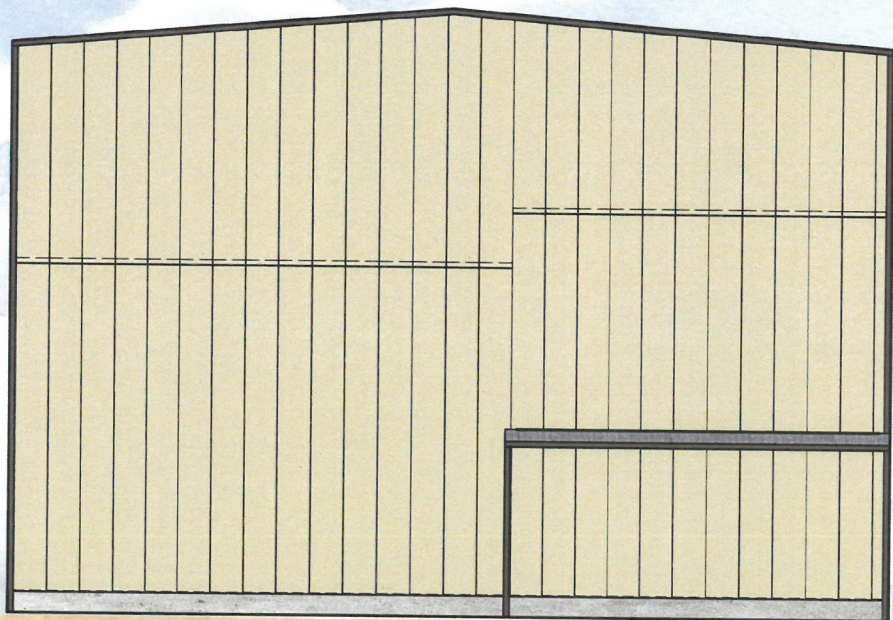


D FRONT ELEVATION
 A300 SCALE: 1/8"=1'-0"



C RIGHT ELEVATION
 A300 SCALE: 1/8"=1'-0"



BUILDING SPECIFICATIONS

CONTRACTOR RESPONSIBILITIES

BUILDING DATA

- (1.) THE BUILDING SYSTEM SHOWN ON THESE DRAWINGS AND DETAILED FOR THE LOADS AND CONDITIONS STIPULATED BY THE LETTER OF CERTIFICATION AND THESE DRAWINGS.
- (2.) ANY ALTERATIONS TO THIS BUILDING SYSTEM, REMOVAL OF ANY OF ITS COMPONENTS OR PARTS, MODIFICATIONS OF THE INTENDED END-USE, MODIFICATIONS IN CLADDING OR ANY OTHER DEVIATIONS FROM THE ORIGINAL CONDITIONS FOR WHICH THE BUILDING SYSTEM WAS DESIGNED MAY BE DONE ONLY WITH THE WRITTEN APPROVAL OF A REGISTERED ARCHITECT AND/OR A REGISTERED PROFESSIONAL ENGINEER, AS APPLICABLE. SUKUP MANUFACTURING CO. (SUKUP) WILL ASSUME NO RESPONSIBILITY FOR ANY OF THE CHANGES MENTIONED ABOVE IF PERFORMED WITHOUT PRIOR WRITTEN APPROVAL BY SUKUP.
- (3.) THIS BUILDING SYSTEM HAS BEEN DESIGNED PER SUKUP'S STANDARD DESIGN AND MANUFACTURING PRACTICES, THE GOVERNING BUILDING CODE, AND THE APPLICABLE EDITIONS OF THE BUILDING CODE REFERENCED AISC, AISI, ASCE, AND AWS STANDARDS. THIS BUILDING SYSTEM HAS ALSO BEEN DESIGNED IN ACCORDANCE WITH ALL APPLICABLE PROVISIONS OF THE LATEST EDITIONS OF MBMA METAL BUILDING SYSTEMS MANUAL. IN APPLICATIONS INCLUDING STRUCTURAL STEEL DECK AND STEEL JOISTS, THE CODE REFERENCED EDITIONS OF APPLICABLE SDI AND SJI STANDARDS RESPECTIVELY, WERE ALSO APPLIED.
- 4) SUKUP DOES NOT DESIGN OR CHECK VENTILATION OR ENERGY CONSERVATION SYSTEMS FOR THE BUILDING SYSTEM SUPPLIED AND IS NOT RESPONSIBLE FOR THE ADEQUACY OF SPECIFIED VENTILATION AND ENERGY CONSERVATION COMPONENTS. THE END USER SHOULD INSURE THAT ADEQUATE PROVISIONS ARE MADE FOR VENTILATION, CONDENSATION, AND ENERGY CONSERVATION REQUIREMENTS.
- (5.) SUKUP IS NOT RESPONSIBLE FOR THE DESIGN, MATERIALS AND WORKMANSHIP OF THE FOUNDATION, OR THE ANCHORAGE OF THE BUILDING SYSTEM TO THE FOUNDATION. ANCHOR BOLT PLANS PREPARED BY SUKUP ARE INTENDED TO SHOW ONLY LOCATION, DIAMETER, AND PROJECTION OF ANCHOR BOLTS REQUIRED TO ATTACH THE METAL BUILDING SYSTEM TO THE FOUNDATION. THE END USER IS RESPONSIBLE FOR ENGAGING THE SERVICES OF A LICENSED PROFESSIONAL ENGINEER TO PERFORM FOUNDATION AND FOUNDATION ANCHORAGE DESIGN. THE PROFESSIONAL ENGINEER DESIGNING THE FOUNDATION SHALL DETERMINE THE ADEQUATE ANCHOR BOLT MATERIAL, TYPE AND GRADE, ANCHOR BOLT EMBEDMENT, AND ANY ANCHORAGE REINFORCEMENT TO ACCOMMODATE THE GIVEN ANCHOR BOLT LOCATIONS, QUANTITY, AND DIAMETER.
- (6.) UNLESS OTHERWISE NOTED, ON THE LETTER OF CERTIFICATION, THE BUILDING SYSTEM BY SUKUP IS EXEMPT FROM THE ASCE 7 STIPULATED SEISMIC DRIFT LIMITATIONS. THE END USER SHALL INSURE THAT ALL THE INTERIOR AND EXTERIOR ATTACHMENTS AND CLADDING BY OTHERS ARE DESIGNED TO ACCOMMODATE SEISMIC DRIFT.
- (7) SUKUP DOES NOT INVESTIGATE THE INFLUENCE OF ITS STEEL BUILDING SYSTEM ON EXISTING BUILDING OR STRUCTURES. THE END USER SHALL ENGAGE THE SERVICES OF A LICENSED PROFESSIONAL ENGINEER TO EVALUATE WHETHER SUCH BUILDINGS AND STRUCTURES ARE ADEQUATE TO RESIST SNOW DRIFT LOADS OR OTHER CONDITIONS AS A RESULT OF THE PRESENCE OF THE STEEL BUILDING SYSTEM.
- (8) UNLESS NOTED OTHERWISE AND EXCEPT FOR CRANE SUPPORT SYSTEM CONNECTIONS, ALL BOLTED JOINTS SHALL BE SNUG-TIGHTENED IN ACCORDANCE WITH THE LATEST EDITION OF THE RESEARCH COUNCIL ON STRUCTURAL CONNECTIONS (RCSC) SPECIFICATION FOR STRUCTURAL JOINTS USING ASTM A325, OR A490 BOLTS. ALL JOINTS IN CRANE SUPPORT SYSTEM APPLICATION SHALL BE PRETENSIONED AS REQUIRED BY RCSC. ALL PRIMARY FRAME BOLTED CONNECTIONS USE A325 BOLTS, UNLESS OTHERWISE NOTED. ALL END-PLATE CONNECTIONS IN COLD-FORMED STEEL FRAMES USE A325 BOLTS, UNLESS OTHERWISE NOTED.
- (9) ALL PRIMARY STRUCTURAL MEMBERS HAVE BEEN PAINTED WITH THE MINIMUM OF ONE COAT OF INHIBITIVE PRIMER. ALL STRUCTURAL STEEL MEMBERS HAVE BEEN PAINTED IN ACCORDANCE WITH STEEL STRUCTURES PAINTING COUNCIL SPECIFICATION SSPC NO. 15.
- (10) SHOP AND FIELD INSPECTIONS AND ASSOCIATED FEES AND EXPENSES ARE THE RESPONSIBILITY OF THE CONTRACTOR, UNLESS OTHERWISE NOTED.
- (11) THE MATERIALS USED IN FABRICATION OF PRIMARY AND SECONDARY STEEL FRAMING MEMBERS, AS WELL AS RELATED ACCESSORIES ARE SHOWN BELOW WITH THEIR CORRESPONDING ASTM DESIGNATIONS. WHEN THE COMPLIANCE WITH THE BUILDING CODE MANDATED EDITION OF THE AISC SEISMIC PROVISIONS IS REQUIRED, ONLY MATERIALS APPROVED BY THOSE PROVISIONS ARE USED.

- (1.) THE CONTRACTOR IS TO CONFIRM THAT THESE LOADS COMPLY WITH THE REQUIREMENTS OF THE LOCAL BUILDING DEPARTMENT.
- (2.) THE CONTRACTOR MUST SECURE ALL APPROVALS AND PERMITS FOR THIS PROJECT FROM THE APPROPRIATE AGENCIES IN FULL COMPLIANCE WITH ALL APPLICABLE LOCAL AND STATE LAWS AND REGULATIONS.
- (3.) IN ACCORDANCE WITH THE SEC. 4.4.1 OF THE LATEST EDITION OF THE AISC CODE OF STANDARD PRACTICE AND THE MBMA COMMON INDUSTRY PRACTICES, AN APPROVAL OF THESE DRAWINGS AND CALCULATIONS CONSTITUTES AN AGREEMENT THAT SUKUP HAS CORRECTLY INTERPRETED THE REQUIREMENTS OF THE CONTRACT BUILDING DRAWINGS, SPECS, AND ALL OTHER CONTRACTUAL REQUIREMENTS.
- (4.) IN ACCORDANCE WITH THE SEC. 3.3 OF THE LATEST ADDITION OF THE AISC CODE OF STANDARD PRACTICE, WHERE DISCREPANCIES EXIST BETWEEN THESE DRAWINGS AND THE DRAWINGS PROVIDED BY OTHER TRADES, SUCH AS ARCHITECTURAL, ELECTRICAL, PLUMBING, AND OTHERS, THESE DRAWINGS PROVIDED BY SUKUP SHALL GOVERN.
- (5.) THE CONTRACTOR IS RESPONSIBLE FOR THE ERECTION OF THE ENTIRE BUILDING SYSTEM AND ALL ASSOCIATED WORK PERTAINING THERETO IN ACCORDANCE WITH SUKUP'S "FOR ERECTION" DRAWINGS. DRAWINGS NOT MARKED "FOR ERECTION" SHALL NOT BE USED IN THE ERECTION OF SUKUP'S BUILDING.
- (6.) IN ACCORDANCE WITH SEC. 7.10.3 OF THE LATEST EDITION OF THE AISC CODE OF STANDARD PRACTICE, TEMPORARY SUPPORTS SUCH AS GUYS, BRACES, FALSEWORK, SHORING, AND OTHER ELEMENTS NECESSARY TO SAFELY ERECT THE BUILDING SYSTEM AND PREVENT STRUCTURAL AND OTHER DAMAGE TO THE BUILDING SYSTEM SHALL BE DETERMINED AND FURNISHED BY THE ERECTOR. THE STRUCTURAL BUILDING SYSTEM PROVIDED BY SUKUP IS DESIGNED FOR THE SERVICE CONDITIONS IN ACCORDANCE WITH THE BUILDING CODE. THE CONTRACTOR SHALL ERECT THE SYSTEM IN A MANNER THAT INSURES THAT THE LOADING CONDITIONS ON THE STRUCTURE DURING SERVICE ARE NOT EXCEEDED IN ANY PART OF THE STRUCTURE THROUGHOUT THE ERECTION PROCESS.
- (7.) UNLESS NOTED OTHERWISE, SUKUP SHALL NOT BE RESPONSIBLE FOR THE DESIGN OF ANY ELEMENTS OF THIS PROJECT NOT PART OF THE STRUCTURAL BUILDING SYSTEM PROVIDED BY SUKUP THE CONTRACTOR SHALL BE RESPONSIBLE FOR TAKING APPROPRIATE STEPS TO INSURE THAT SUCH ELEMENTS ARE PROPERLY STRUCTURALLY DESIGNED AND CONSTRUCTED.
- (8.) IT IS THE RESPONSIBILITY OF THE CONTRACTOR TO OBSERVE AND APPLY ALL PERTINENT OSHA AND OTHER MANDATORY SAFETY PROVISIONS.
- (9.) THE CONTRACTOR IS RESPONSIBLE FOR THE INSPECTION OF ALL OF SUKUP'S SHIPMENT RECEIVED. ANY CLAIMS OF NON-RECEIVED ITEMS MUST BE REPORTED TO SUKUP IN WRITING WITHIN 5 BUSINESS DAYS. IN ORDER TO MAINTAIN THE QUALITY GUARANTEE AND TO QUALIFY FOR REIMBURSEMENT, ANY FIELD MODIFICATIONS OF ANY REPORTED DEFECTIVE ITEM MAY NOT BE PERFORMED WITHOUT A PRIOR WRITTEN ENDORSEMENT BY SUKUP.
- (10.) SUKUP SHALL NOT BE HELD LIABLE FOR ANY CLAIM WHATSOEVER, INCLUDING, BUT NOT LIMITED TO, LABOR CHARGES OR CONSEQUENTIAL DAMAGES, RESULTING FROM THE CONTRACTOR/ERECTOR'S USE OF DEFECTIVE OR INCORRECT MATERIALS THAT CAN BE DETECTED BY VISUAL INSPECTION.
- (11.) SUKUP IS NOT RESPONSIBLE FOR MATERIAL DAMAGED IN UNLOADING OR FOR PACKAGED OR NESTED MATERIALS, INCLUDING, BUT NOT LIMITED TO, FASTENERS, SHEET METAL, "C" AND "Z" SECTIONS, AND COVERING PANELS THAT BECOME WET AND/OR ARE DAMAGED BY WATER WHILE IN THE POSSESSION OF OTHERS. PACKAGED OR NESTED MATERIALS THAT BECOME WET IN TRANSIT SHALL BE UNPACKED, UNSTACKED, AND DRIED BY THE CONTRACTOR.
- (12.) WITH RESPECT TO ALL OTHER BUILDING SYSTEM ERECTION ASPECTS NOT MENTIONED ABOVE, THE CONTRACT SHALL COMPLY WITH THE SEC. 6 OF THE MBMA COMMON INDUSTRY PRACTICES. FOR ANY ASPECTS OF THE ERECTION NOT COVERED BY THE MBMA COMMON INDUSTRY PRACTICES, THE PROVISIONS OF SEC. 7 OF THE LATEST EDITION OF THE AISC CODE OF STANDARD PRACTICE SHALL ALSO APPLY.

BUILDING DESCRIPTION	BLDG. A	BLDG. B
WIDTH:	80	13 FT.
LENGTH:	80	35 FT.
LEFT EAVE HEIGHT:	52	16 FT.
RIGHT EAVE HEIGHT:	52	17.08 FT. (IF DIFFERENT)

(BUILDING DIMENSIONS NOMINAL; REFER TO PLANS)

BUILDING CODE: KBC 13 (IBC 12)

LOAD DESCRIPTION	LOAD
RISK CATEGORY:	II =
ROOF DEAD LOAD:	3.0
COLLATERAL LOAD:	3.0
ROOF LIVE LOAD:	20.0
TRIBUTARY LOAD REDUCTION	N
SNOW LOAD DATA:	
GROUND SNOW LOAD (Pg)	15.0
SNOW EXPOSURE FACTOR	1.0 (PARTIAL)
THERMAL COEFFICIENT (ct)	1.0 (I)
IMPORTANCE FACTOR (Is)	1
FLAT ROOF SNOW LOAD (Pf)	10.5
WIND DESIGN DATA:	
WIND SPEED	115
EXPOSURE CATEGORY	C
INTERNAL PRESSURE COEFFICIENT (GCp)	+/- 0.18 (E)
IMPORTANCE FACTOR (Iw)	1.1

EARTHQUAKE DESIGN DATA:	
IMPORTANCE FACTOR (Ie)	1.1
MAPPED SPECTRAL ACCEL FOR SHORT PERIOD (Ss)	0.21
MAPPED SPECTRAL ACCEL FOR 1-SEC PERIOD (S1)	0.10
SITE CLASS	D
5% DAMPED SPECTRAL ACCEL FOR SHORT PERIOD (Sds)	0.22
5% DAMPED SPECTRAL ACCEL FOR 1-SEC PERIOD (Sd1)	0.16
SEISMIC DESIGN CATEGORY	C
FORCE RESISTING SYSTEM (TRANSVERSE)	ORDINARY STEEL I
FORCE RESISTING SYSTEM (LONGITUDINAL)	ORDINARY STEEL I
DESIGN BASE SHEAR: $V = C_s * W$	BRACED FRAMES
	= 5.69 K (T)
RESPONSE COEFFICIENT (Cs)	= 5.09 K (LC)
	= 0.075 (RIG)
	= 0.075 (LEFT)
	= 0.075 (RIGH)
	= 0.075 (FRON)
	= 0.075 (BACK)
RESPONSE MODIFICATION FACTOR (R)	= 3.00 (RIGI)
	= 3.00 (LEFT)
	= 3.00 (RIGHT)
	= 3.00 (FRONT)
	= 3.00 (BACK)
ANALYSIS PROCEDURE	EQUIVALENT LAT

STEEL YIELDS

COMPONENT PART	YIELD (Fy=)	STEEL GRADE	ISSUE	DWN	CHK	ENG	DATE
BUILT-UP SECTION FLANGES	50 KSI	A529, A572, A588	ANCHOR BOLT PLAN	TJS	JRW	WJM	1/26/18
BUILT-UP SECTION WEBS AND CONNECTION PLATES	50 KSI	A1011, A572, A588	<i>FOR CONSTRUCTION</i>				<i>1/26/18</i>
HOT-ROLLED W-SHAPES	50 KSI	A992, A572	<i>W/DR</i>				<i>1/26/18</i>
HOT-ROLLED C-SHAPES	50 KSI	A529, A572, A992	<i>W/DR</i>				<i>1/26/18</i>
HOT-ROLLED L-SHAPES	50 KSI	A529, A572, A992	<i>W/DR</i>				<i>1/26/18</i>

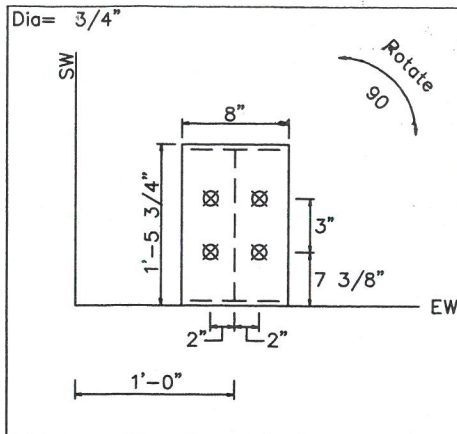
THESE DRAWINGS ARE

FOR ERECTION

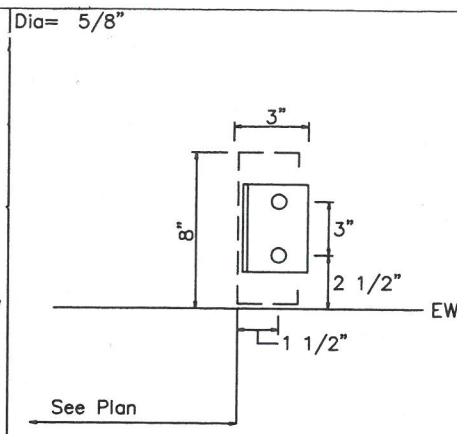
ANCHOR BOLT PLAN

RECEIVED

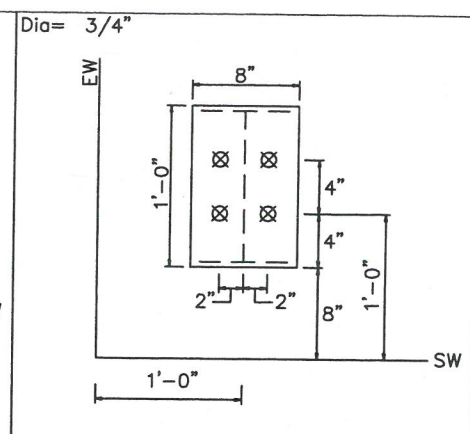
RECEIVED
 MAR 19
 PLANNING
 DESIGN SE



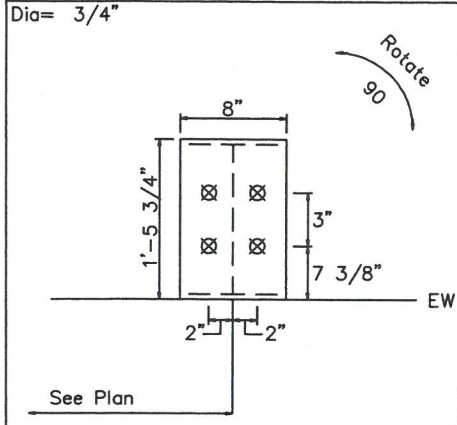
DETAIL A Base EL. 102'-0"



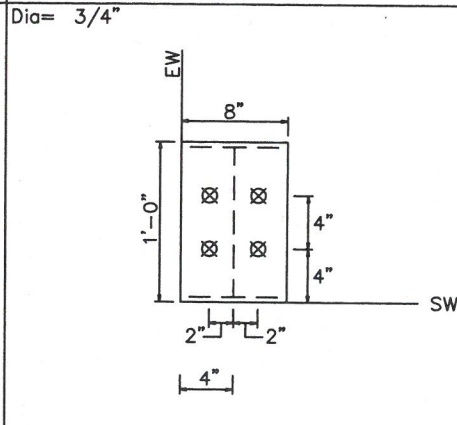
DETAIL E Base EL. 104'-0"



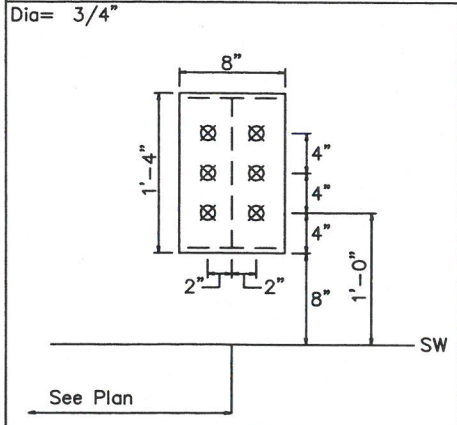
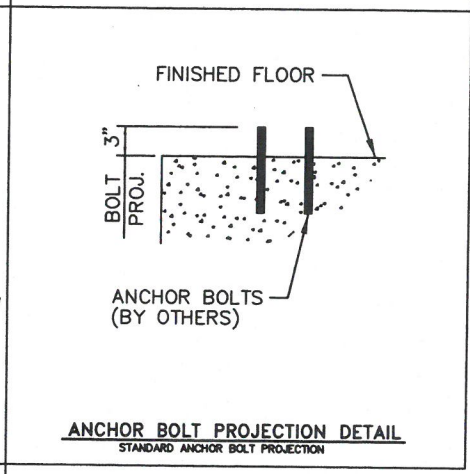
DETAIL L Base EL. 102'-0"



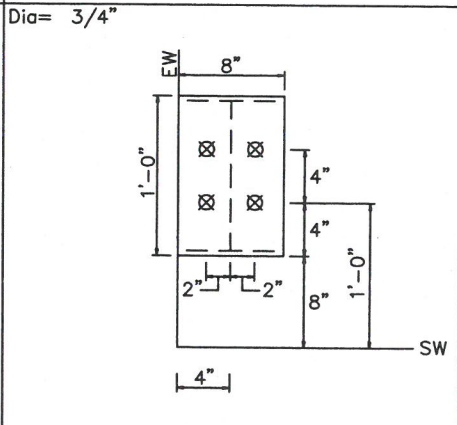
DETAIL B Base EL. 102'-0"



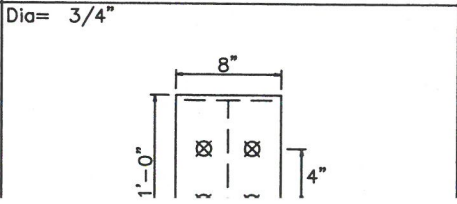
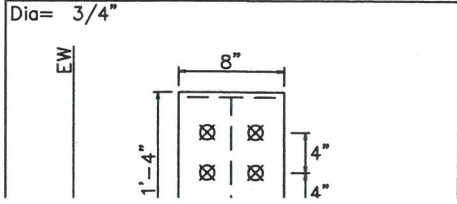
DETAIL G Base EL. 102'-0"



DETAIL C Base EL. 102'-0"



DETAIL J Base EL. 102'-0"



ENDWALL COLUMN: BASIC COLUMN REACTIONS (k) (BUILDING A)

Frm Line	Col Line	Dead Vert	Collat Vert	---Live---		---Snow---		Snow_Drift		Wind_Left1		Wind_Right1	
				Horz	Vert	Horz	Vert	Horz	Vert	Horz	Vert	Horz	Vert
2	A	2.1	0.3	0.0	1.7	0.0	0.9	0.0	0.0	0.0	0.0	-3.1	-2.4
2	B	2.8	0.7	0.0	4.8	0.0	2.5	0.0	0.0	8.4	-31.3	0.0	17.3
2	C	2.7	0.6	0.0	4.0	0.0	2.1	0.0	0.0	0.0	15.9	8.4	-28.1
2	E	3.2	1.0	-0.2	7.2	-0.1	3.8	-0.2	3.3	0.0	-7.1	0.0	-11.6
2	F	2.4	0.4	-0.1	3.0	0.0	1.6	-0.1	1.7	0.0	-3.5	0.0	-4.1

Frm Line	Col Line	Wind_Left2		Wind_Right2		Wind_Press		Wind_Suct		Wind_Long1		Wind_Long2		Seis_Left	
		Horz	Vert	Horz	Vert	Horz	Vert	Horz	Vert	Horz	Vert	Horz	Vert	Horz	Vert
2	A	0.0	-1.8	0.0	-1.2	-7.3	0.0	8.5	0.0	0.0	-3.4	0.0	-2.0	0.0	0.0
2	B	8.4	-28.5	0.0	20.0	-14.3	0.0	15.8	0.0	0.0	-8.0	0.6	-6.7	2.8	-7.2
2	C	0.0	17.6	8.4	-26.5	-14.9	0.0	16.5	0.0	0.6	-7.5	0.0	-4.3	0.0	7.3
2	E	0.0	-4.4	0.0	-8.8	-16.0	-2.8	17.8	-1.2	0.0	-7.9	0.0	-11.6	0.0	-0.1
2	F	0.0	-2.2	0.0	-2.9	-8.2	-1.4	9.6	-0.6	0.0	-3.4	0.0	-4.5	0.0	0.0

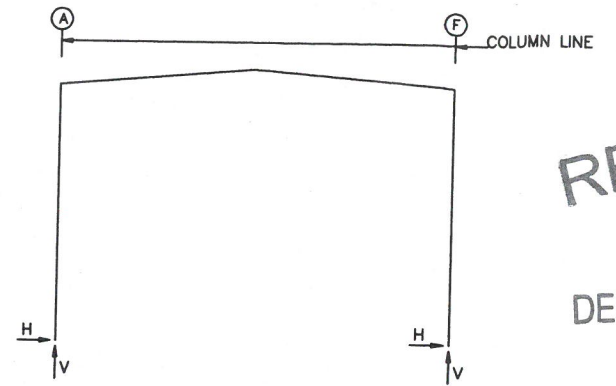
Frm Line	Col Line	Seis_Right		-MIN_SNOW-		E1UNB_SL_L-		E1UNB_SL_R-	
		Horz	Vert	Horz	Vert	Horz	Vert	Horz	Vert
2	A	0.0	0.0	0.0	1.3	0.0	0.8	0.0	0.3
2	B	0.0	7.4	0.0	3.6	0.0	3.2	0.0	0.6
2	C	2.8	-7.5	0.0	3.0	0.0	2.4	0.0	2.3
2	E	0.0	0.1	0.0	3.6	0.0	0.5	0.0	3.3
2	F	0.0	0.0	0.0	1.3	0.0	0.3	0.0	0.8

Frm Line	Col Line	Dead Vert	Wind Press		Wind Suct	
			Horz	Vert	Horz	Vert
6	E	1.9	-14.7	16.3		
6	C	1.9	-15.1	16.7		
6	B	1.9	-14.7	16.3		

ENDWALL COLUMN: MAXIMUM REACTIONS, ANCHOR BOLTS, & BASE PLATES

Frm Line	Col Line	Column_Reactions(k)						Bolt Qty	Bolt Dia (in)	Base_Plate(in)			Grout (in)
		Load Id	Hmax H	V Vmax	Load Id	Hmin H	V Vmin			Width	Length	Thick	
2	A	14	5.1	-0.7	15	-4.4	-0.7	4	0.750	8.000	17.75	0.500	24.0
2	B	16	9.5	-17.1	15	-8.6	-3.1	4	0.750	8.000	17.75	0.500	24.0
2	C	18	9.9	-15.3	15	-9.0	-2.9	4	0.750	8.000	17.75	0.500	24.0
2	E	20	10.6	-5.7	21	-9.6	-5.4	4	0.750	8.000	17.75	0.500	24.0
2	F	20	5.7	-1.6	21	-4.9	-1.1	4	0.750	8.000	17.75	0.500	24.0
6	E	23	9.8	1.1	22	-8.8	1.1	4	0.750	8.000	17.75	0.500	24.0
6	C	23	10.0	1.2	22	-9.0	1.2	4	0.750	8.000	17.75	0.500	24.0
6	B	23	9.8	1.1	22	-8.8	1.1	4	0.750	8.000	17.75	0.500	24.0

FRAME LINES: 3 4 5 6



RECEIVED
MAR 19
PLANNING
DESIGN SE

RIGID FRAME: MAXIMUM REACTIONS, ANCHOR BOLTS, & BASE PLATES

Frm Line	Col Line	Column_Reactions(k)						Bolt Qty	Bolt Dia (in)	Base_Plate(in)			Grout (in)
		Load Id	Hmax H	V Vmax	Load Id	Hmin H	V Vmin			Width	Length	Thick	
3*	A	4	8.6	16.1	9	-9.8	-7.9	6	0.750	8.000	16.00	0.500	24.0
3*	F	10	9.8	-7.9	3	-8.6	16.1	6	0.750	8.000	16.00	0.500	24.0
3*	Frame lines: 3 4 5												

RIGID FRAME: MAXIMUM REACTIONS, ANCHOR BOLTS, & BASE PLATES

Frm Line	Col Line	Column_Reactions(k)						Bolt Qty	Bolt Dia (in)	Base_Plate(in)			Grout (in)
		Load Id	Hmax H	V Vmax	Load Id	Hmin H	V Vmin			Width	Length	Thick	
6	A	4	8.6	16.1	9	-9.8	-7.9	6	0.750	8.000	16.00	0.500	24.0
6	F	10	9.8	-7.9	3	-8.6	16.1	6	0.750	8.000	16.00	0.500	24.0

RIGID FRAME: BASIC COLUMN REACTIONS (k)

Frame Line	Column Line	---Dead---		---Collateral---		---Live---		---Snow---		---Wind_Left1---		---Wind_Horiz
		Horz	Vert	Horz	Vert	Horz	Vert	Horz	Vert	Horz	Vert	
3*	A	1.0	5.3	0.7	2.5	4.4	16.8	2.3	8.8	-14.0	-28.0	8.2
3*	F	-1.0	5.3	-0.7	2.5	-4.4	16.8	-2.3	8.8	-8.2	-9.7	14.0

Frame Line	Column Line	---Wind_Left2---		---Wind_Right2---		---Wind_Long1---		---Wind_Long2---		---Seismic_Left		---Seismic_Horiz
		Horz	Vert	Horz	Vert	Horz	Vert	Horz	Vert	Horz	Vert	
3*	A	-17.2	-18.4	4.9	-0.2	5.5	-53.3	4.8	-49.8	-0.6	-0.7	0.6
3*	F	-4.9	-0.2	17.2	-18.4	-4.8	-49.8	-5.5	-53.3	-0.6	0.7	0.6

Frame Line	Column Line	---Seismic_Long		---MIN_SNOW---		F1UNB_SL_L-		F1UNB_SL_R-	
		Horz	Vert	Horz	Vert	Horz	Vert	Horz	Vert
3*	A	0.0	-9.7	3.3	12.6	2.0	9.0	2.1	5.3
3*	F	0.0	-9.7	-3.3	12.6	-2.1	5.3	-2.0	9.0

Frame Line	Column Line	---Dead---		---Collateral---		---Live---		---Snow---		---Wind_Left1---		---Wind_Horiz
		Horz	Vert	Horz	Vert	Horz	Vert	Horz	Vert	Horz	Vert	
6	A	1.0	5.3	0.7	2.5	4.4	16.8	2.3	8.8	-14.0	-28.0	8.2
6	F	-1.0	5.3	-0.7	2.5	-4.4	16.8	-2.3	8.8	-8.2	-9.7	14.0

Frame Line	Column Line	---Wind_Left2---		---Wind_Right2---		---Wind_Long1---		---Wind_Long2---		---Seismic_Left		---Seismic_Horiz
		Horz	Vert	Horz	Vert	Horz	Vert	Horz	Vert	Horz	Vert	
6	A	-17.2	-18.4	4.9	-0.2	5.5	-20.6	4.8	-17.1	-0.8	-0.9	0.8
6	F	-4.9	-0.2	17.2	-18.4	-4.8	-17.1	-5.5	-20.6	-0.8	0.9	0.8

3* Frame lines: 3 4 5

NOTES FOR REACTIONS (BUILDING A)

Building reactions are based on the following building data:

- Width (ft) = 80.0
- Length (ft) = 80.0
- Eave Height (ft) = 52.0/ 52.0
- Roof Slope (rise/12) = 1.0/ 1.0
- Dead Load (psf) = 3.0
- Collateral Load (psf) = 3.0
- Live Load (psf) = 20.0
- Snow Load (psf) = 10.5
- Wind Speed (mph) = 115.0
- Wind Code = KBC 13 (IBC 12)
- Exposure = C
- Closed/Open = C
- Importance Wind = 1.00
- Importance Seismic = 1.00
- Seismic Zone = C
- Seismic Coeff (Fa*Ss) = 0.34

ID Description

- 1 Dead+Collateral+Live
- 2 Dead+Collateral+0.75Live+0.45Wind_Left1
- 3 Dead+Collateral+0.75Live+0.45Wind_Right1
- 4 Dead+Collateral+0.75Live+0.45Wind_Long1R
- 5 Dead+Collateral+0.75Live+0.45Wind_Long2R
- 6 Dead+Collateral+0.75Snow+0.45Wind_Left2+0.75Snow Drift

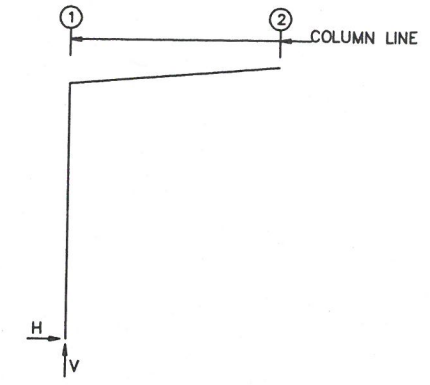
BUILDING BRACING REACTIONS (BU)

Wall Loc	Col Line	± Reactions(k)				Panel_Shear (lb/ft)
		Wind Horz	Wind Vert	Seismic Horz	Seismic Vert	
FW	2	8.4	21.7	0.0	0.0	

RIGID FRAME: BASIC COLUMN REACTIONS (k) (BUILDING B)

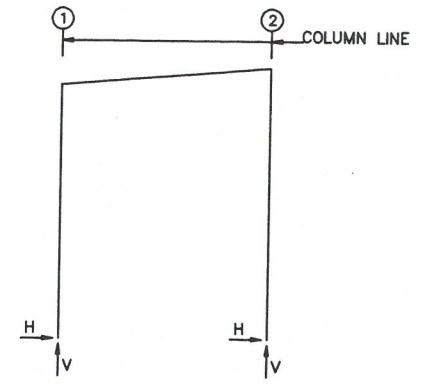
Frame Line	Column Line	Dead Horiz	Dead Vert	Collateral Horiz	Collateral Vert	Live Horiz	Live Vert	Snow Horiz	Snow Vert	Snow_Drift Horiz	Snow_Drift Vert	Wind_Left1 Horiz	Wind_Left1 Vert
F	1	0.0	0.5	0.0	0.2	0.1	1.7	0.1	0.9	0.1	0.9	-0.5	-1.8
F	1	0.6	-1.4	-1.0	-0.8	0.1	-0.5	0.8	-2.9	0.8	-2.9	0.0	-0.4
F	1	0.1	1.3										
E	1	0.0	0.8	0.0	0.3	0.3	3.5	0.1	1.8	0.2	1.7	-1.0	-3.6
E	1	1.3	-2.8	-2.0	-1.7	0.3	-0.9	1.7	-5.1	1.7	-5.1	0.0	-0.4
E	1	0.2	2.6										
D	1	0.0	0.4	0.0	0.1	0.1	1.1	0.0	0.6	0.1	0.4	-0.9	-2.2
D	2	0.0	0.4	0.0	0.1	-0.1	1.0	0.0	0.5	-0.1	1.3	-1.0	0.0
D	1	1.2	0.6	-1.2	-1.8	0.8	1.1	0.7	-1.1	0.7	-1.1	0.0	-0.1
D	2	0.9	-2.0	-0.6	0.4	1.3	-1.6	-0.6	-1.1	-0.6	-1.1	0.0	0.1
D	1	0.0	0.1	0.0	0.8								
D	2	0.0	-0.1	0.0	0.7								

FRAME LINES: F E



RECE
MAR 1
PLANNI
DESIGN SE

FRAME LINES: D



ANCHOR BOLT SUMMARY (BUILDING B)

Qty	Locate	Dia (in)	Type	Bend Len (in)	Proj (in)
4	Endwall	3/4"	A307	3.00	3.00
16	Frame	3/4"	A307	3.00	3.00

NOTES FOR REACTIONS (BUILDING B)

Building reactions are based on the following building data:

- Width (ft) = 13.0
- Length (ft) = 35.0
- Eave Height (ft) = 16.0/ 17.1
- Roof Slope (rise/12) = 1.0
- Dead Load (psf) = 3.0
- Collateral Load (psf) = 2.0
- Live Load (psf) = 20.0
- Snow Load (psf) = 10.5
- Wind Speed (mph) = 115.0
- Wind Code = KBC 13 (IBC 12)
- Exposure = C
- Closed/Open = C
- Importance Wind = 1.00
- Importance Seismic = 1.00
- Seismic Zone = C
- Seismic Coeff (Fa*Ss) = 0.34

ID	Description
1	Dead+Collateral+Live
2	Dead+Collateral+Snow+Snow_Drift
3	Dead+0.6Wind_Left1
4	Dead+0.6Wind_Right1
5	Dead+Collateral+0.75Live+0.45Wind_Right2
6	0.6Dead+0.6Wind_Left1
7	0.6Dead+0.6Wind_Right1
8	0.6Dead+0.6Wind_Left2
9	0.6Dead+0.6Wind_Right2
10	0.6Dead+0.6Wind_Long2L
11	0.6Dead+0.6Wind_Long2R
12	0.6Dead+0.6Wind_Right2+0.6Wind_Suction
13	0.6Dead+0.6Wind_Pressure+0.6Wind_Long2L
14	Dead+0.6Wind_Right2+0.6Wind_Suction

RIGID FRAME: MAXIMUM REACTIONS, ANCHOR BOLTS, & BASE PLATES (B)

Frm Line	Col Line	Column_Reactions(k)						Bolt Qty	Bolt Dia	Base_Plate(in)			Grout (in)
		Load Id	Hmax H	V Vmax	Load Id	Hmin H	V Vmin			Width	Length	Thick	
F	1	6	0.5	0.7	9	-0.6	-0.2	4	0.750	8.000	12.00	0.500	24.0
		1	0.2	2.5	11	0.5	-1.4						

RIGID FRAME: MAXIMUM REACTIONS, ANCHOR BOLTS, & BASE PLATES (B)

Frm Line	Col Line	Column_Reactions(k)						Bolt Qty	Bolt Dia	Base_Plate(in)			Grout (in)
		Load Id	Hmax H	V Vmax	Load Id	Hmin H	V Vmin			Width	Length	Thick	
E	1	6	1.1	1.5	9	-1.2	-0.5	4	0.750	8.000	12.00	0.500	24.0
		1	0.4	4.6	11	1.0	-2.6						

RIGID FRAME: MAXIMUM REACTIONS, ANCHOR BOLTS, & BASE PLATES (B)

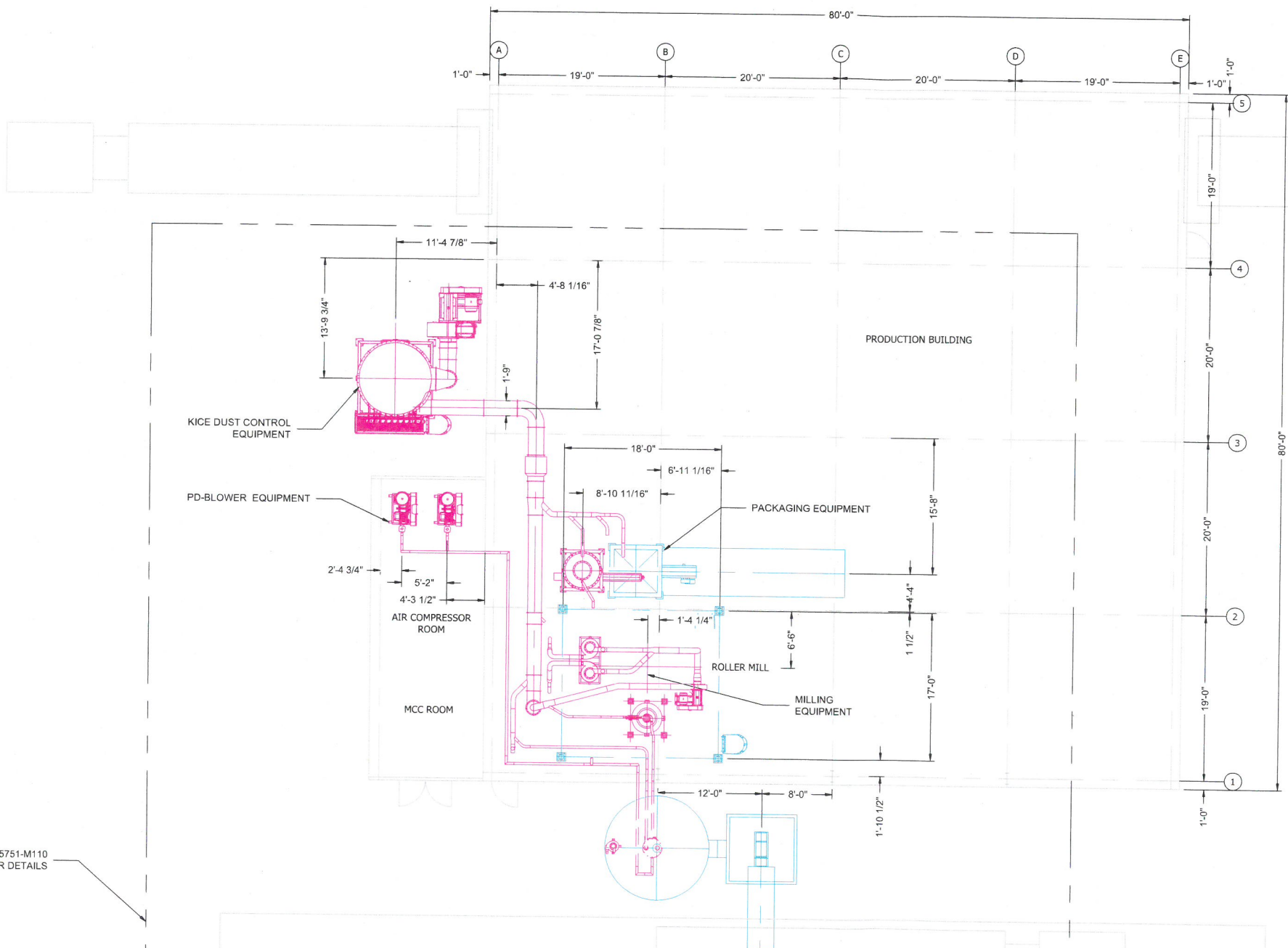
Frm Line	Col Line	Column_Reactions(k)						Bolt Qty	Bolt Dia	Base_Plate(in)			Grout (in)
		Load Id	Hmax H	V Vmax	Load Id	Hmin H	V Vmin			Width	Length	Thick	
D	1	3	0.7	0.8	9	-0.7	-0.8	4	0.750	8.000	12.00	0.500	24.0
		5	0.4	1.8	7	-0.5	-1.1						
D	2	10	0.8	-0.7	2	-0.6	0.4	4	0.750	8.000	12.00	0.500	24.0
		1	-0.1	2.3	8	0.5	-1.0						

BUILDING BRACING REACTIONS (B)

Wall Loc	Line	Col Line	± Reactions(k)				Panel (lb)
			Wind Horiz	Wind Vert	Seismic Horiz	Seismic Vert	
L_EW	F						
F_SW	2					20	
R_EW	D						
R_SW	1	EE	1.2	0.8	0.0	0.1	



RECI
MAR
PLAN
DESIGN



REC
MAR
PLAT
DESIGN

