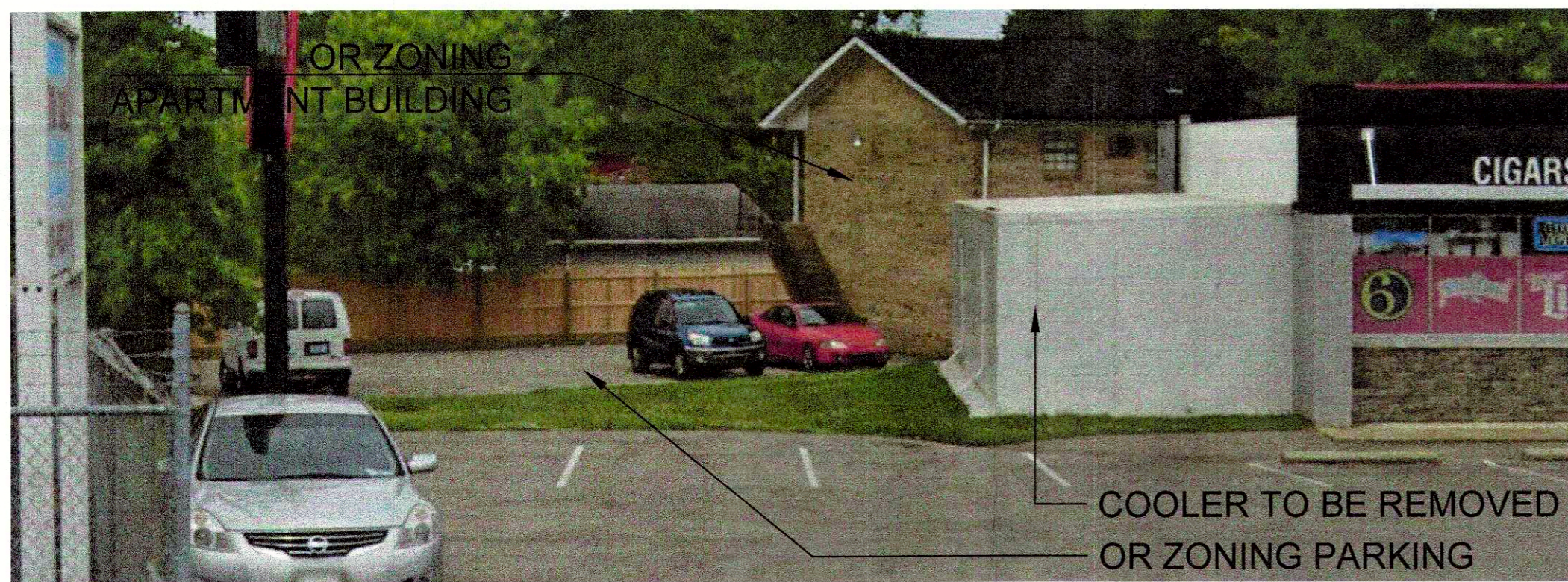




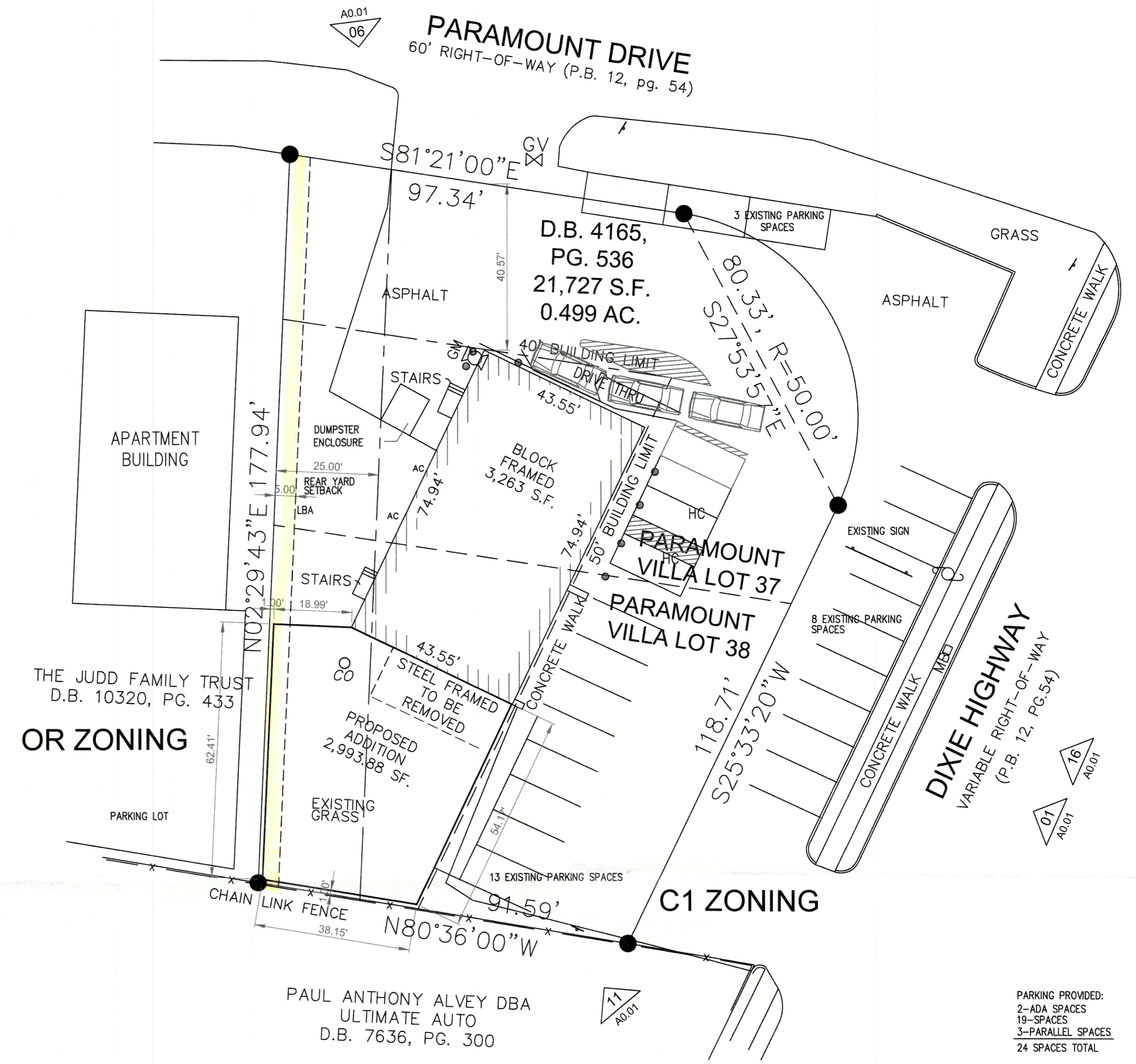
01 ELEVATION: DIXIE HIGHWAY (EXISTING)
SCALE: NONE



06 ELEVATION: PARAMOUNT DRIVE (EXISTING)
SCALE: NONE

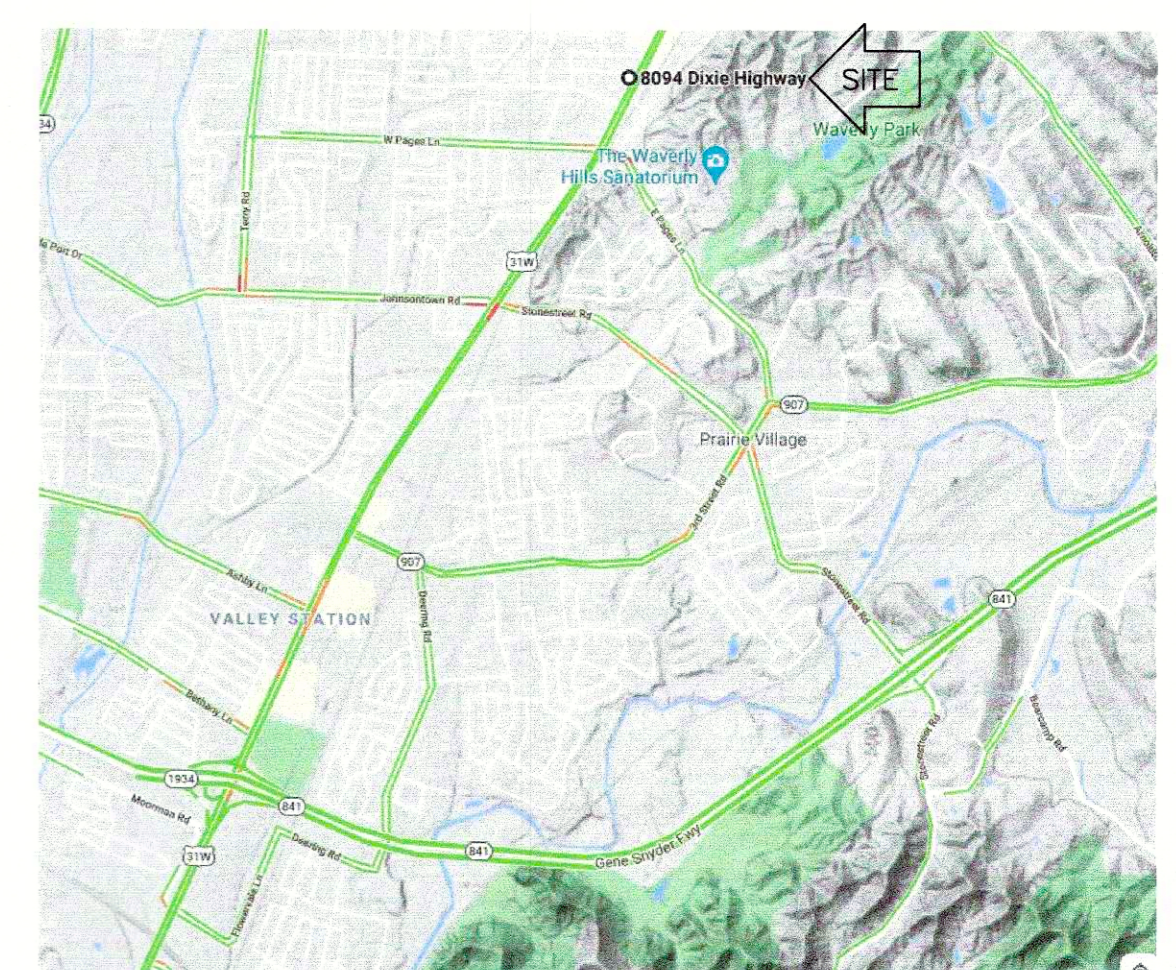


11 ELEVATION: SOUTH (EXISTING)
SCALE: NONE

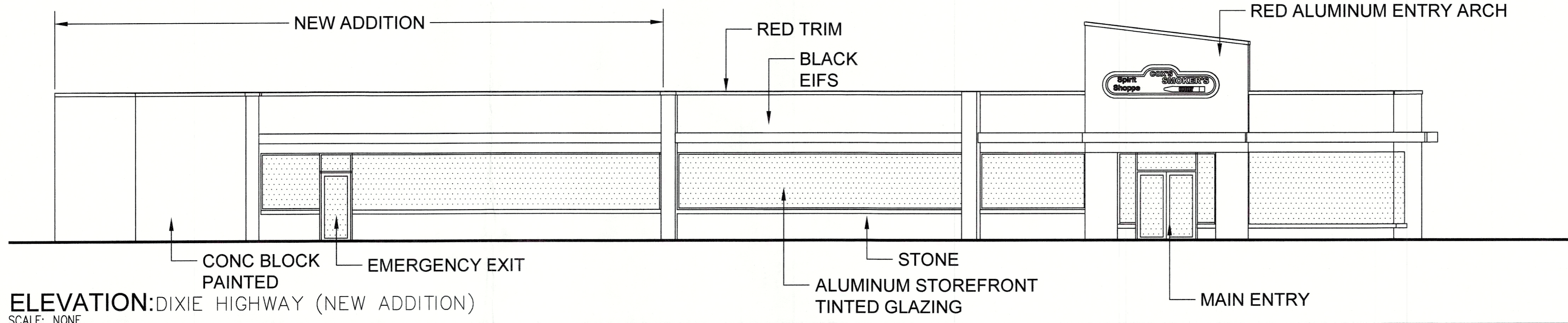


PARKING PROVIDED:
2-ADA SPACES
19-SPACES
3-PARALLEL SPACES
24 SPACES TOTAL

14 PLAN: PROPOSED SITE IMPROVEMENTS
SCALE: 1"=20'



VICINITY MAP:
NO SCALE
RECEIVED
AUG 23 2021
PLANNING & DESIGN SERVICES



16 ELEVATION: DIXIE HIGHWAY (NEW ADDITION)
SCALE: NONE



Cox's Smokers Outlet

AN ADDITION AND ALTERATION PROJECT

8094 Dixie Highway
Louisville, Kentucky 40258

no:	revision:	date:	job:
			20008
			date: JUNE 23, 2021
			drawn by: MRP
			COX'S SMOKERS OUTLET Dixie Hwy Store
			A0.01
			issued: AGENCY REVIEW

21-VARIANCE-0129