

NDF, CIF, MAP OR PAV INTERAGENCY CHECKLIST

Interagency Name: SWMS / David James

Program/Project Name: TRASH can Replacement

Yes/No/NA

Request Form: Is the Request Signed by all Council Member(s) Appropriating Funding?

-- yes

Request Form: If matching funds are to be used, are they disclosed with account numbers in the request form description?

-- N/A

Request Form: If matching funds are to be used, does the amount of the request exclude the matching fund amount?

-- N/A

Request Form: If other funds are to be used for this project, are they disclosed with account numbers in the request form description?

-- N/A

Funding Source: If CIF is being requested, does Metro Louisville own/will own the real estate, building or equipment? If not, the funding source is probably NDF.

-- yes

Funding Source: If CIF is being requested, does the project have a useful life of more than one year? If not, the funding source is probably NDF.

-- yes

Ordinance Required: Is the NDF request to a Metro Agency greater than \$5,000? If so, an ordinance is required.

-- N/A

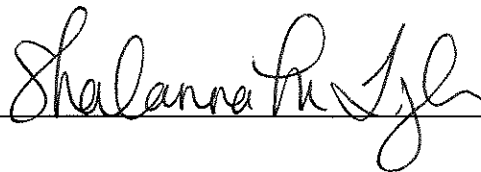
Ordinance Required: Is the request a transfer from NDF to cost center? If so, is the amount given for the fiscal year \$25,000 or less?

-- N/A

Supporting Documentation: Does the attachment include a valid estimate and description of cost?

-- yes

Submitted by:



Date:

3/14/22

Taylor, Shalanna

From: Baldon, Antonio J Sr
Sent: Thursday, March 10, 2022 11:14 AM
To: Taylor, Shalanna
Cc: James, David A
Subject: RE: Follow-ups from Meeting
Attachments: 9 litter containers.pdf

Hello Shalanna- Here is the quote for the 9 litter containers. Please note SWMS will accept funds once available.

From: Taylor, Shalanna <Shalanna.Taylor@louisvilleky.gov>
Sent: Wednesday, March 9, 2022 3:50 PM
To: Baldon, Antonio J Sr <Antonio.BaldonSr@louisvilleky.gov>
Cc: James, David A <David.James@louisvilleky.gov>
Subject: RE: Follow-ups from Meeting

I have not. Could you please send me a cost estimate as well as an email saying you will except the funds from us? Once I get that they will let me appropriate the funds.

Thank you, sir



Shalanna Taylor
Legislative Assistant
President David James District 6 Office
601 W. Jefferson Street Louisville, Ky 40202
| Office: 502-574-1106 |
| Direct: 502-574-3910 |
| Cell: 502-724-3684 |
Click [here](#) to subscribe to the District 6 Newsletter

From: Baldon, Antonio J Sr <Antonio.BaldonSr@louisvilleky.gov>
Sent: Wednesday, March 9, 2022 2:48 PM
To: Taylor, Shalanna <Shalanna.Taylor@louisvilleky.gov>
Cc: James, David A <David.James@louisvilleky.gov>
Subject: RE: Follow-ups from Meeting

Shalanna- Have you had the funds moved over to SWMS? If not that will need to be the first step in this process, then we can place the order.

From: Taylor, Shalanna <Shalanna.Taylor@louisvilleky.gov>
Sent: Wednesday, March 9, 2022 2:12 PM
To: Baldon, Antonio J Sr <Antonio.BaldonSr@louisvilleky.gov>

Axsom, Amy

From: mark.berginski@indoff.com
Sent: Monday, February 14, 2022 12:27 PM
To: Axsom, Amy
Subject: Re: LEISURE CRAFT TRASH RECEPTACLES (QUANTITY 9)

That is what they told me. I will check again.

On Feb 14, 2022, at 12:23 PM, Axsom, Amy <Amy.Axsom@louisvilleky.gov> wrote:

Is the timeframe for delivery still 22 weeks?

From: Berginski, Mark <mark.berginski@indoff.com>
Sent: Friday, February 11, 2022 1:27 PM
To: Axsom, Amy <Amy.Axsom@louisvilleky.gov>
Subject: LEISURE CRAFT TRASH RECEPTACLES (QUANTITY 9)

Indoff is pleased to quote the following trash receptacle from Leisure Craft to meet your requirements. The pricing below reflects MA 758 210000610 that Indoff has with the State of Kentucky.

Leisure Craft-Litter Container Model SR32-SML

- 32 Gallon Metal Ribbon Pattern with Spun Metal Lid
- Plastic Liner included
- Various Colors-See attached color chart
- Additional Spec Sheets attached , showing concrete mounting options if desired.
- Estimated Quantity=9

PRICE, Delivered to Louisville, KY 40217\$805.00 EACH

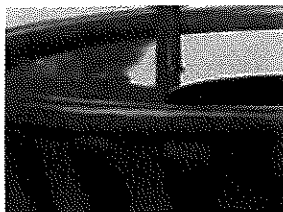
TOTAL PRICE FOR QUANTITY OF 9=\$7,245.00

DELIVERY 22 WEEKS

NO SALES TAX INCLUDED

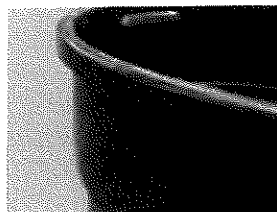
Please review this and the attached information at your convenience. Any questions, please do not hesitate to contact me.
Best Regards,

product details



Coated Surfaces:

- Thermoplastic coated
- Copolymer-based, environmentally safe
- Does not fade, crack, peel warp
- Applied at a thickness of 25-30 mils.
- 5 Year warranty on coating



Liner:

- Black polyethylene plastic

Construction:

- 1/4" x 2" Steel straps
- 1 1/2" Steel tube lip
- 4 Leveler feet
- Optional surface mount plate for B100, B200 mounts (see below)

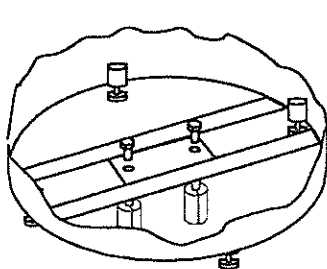
mounting types

P = Portable :
No mount.

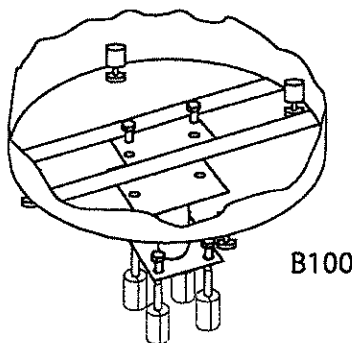
Surface Mount1:
Concrete anchors
through bottom plate.

Surface Mount2:
Bolts through bottom
plate into B100 surface
mount. B100 Mounted
to concrete with
anchors.

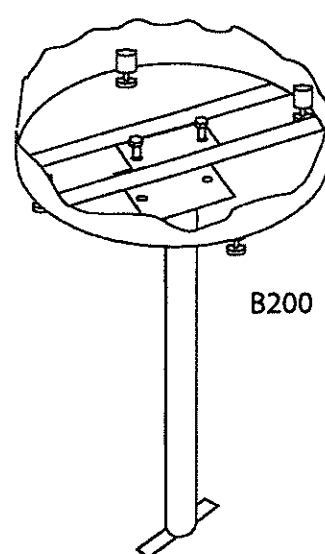
IG= In-Ground:
Bolts through bottom
plate into B200 surface
mount. B200 embed-
ded in hole filled with
concrete.



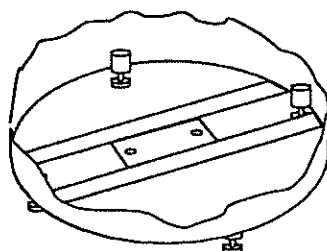
SURFACE MOUNT (1)



SURFACE MOUNT (2)



IN-GROUND



PORTABLE

