

PROJECT OWNER:
Barbeque Integrated, Inc.
2875 NE 191st Street, 5th Floor
Aventura, FL 33180

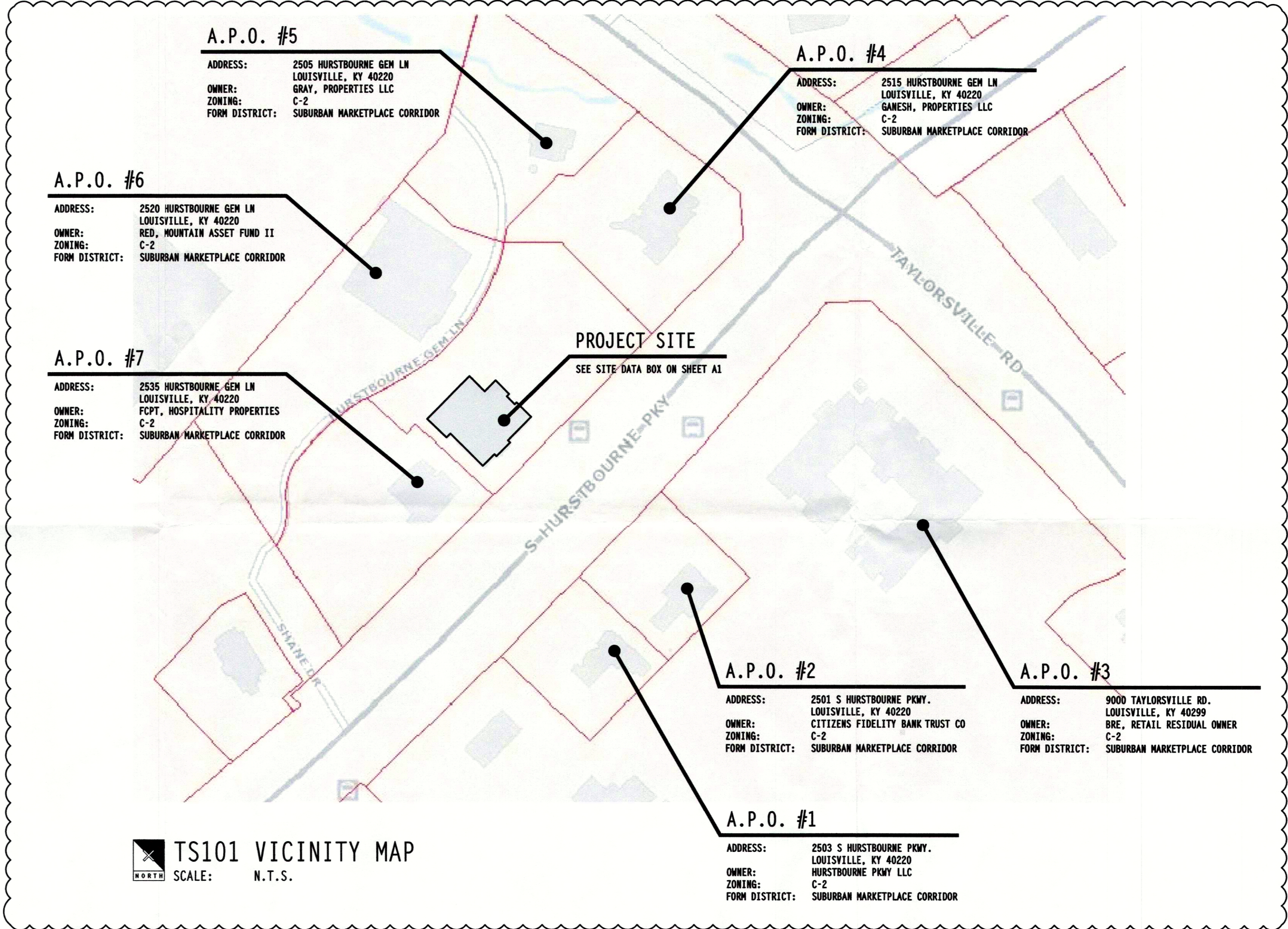
PROJECT TITLE:
Proposed Site Modification for:

SMOKEY BONES

Bar & Fire Grill

2525 Hurstbourne Gem Ln
Jeffersontown, KY 40299

ARCHITECT:
Barker Nestor, Inc.
600 W Cermak Road, Suite #3C
Chicago, IL 60616



RECEIVED
APR 02 2018
PLANNING & DESIGN SERVICES

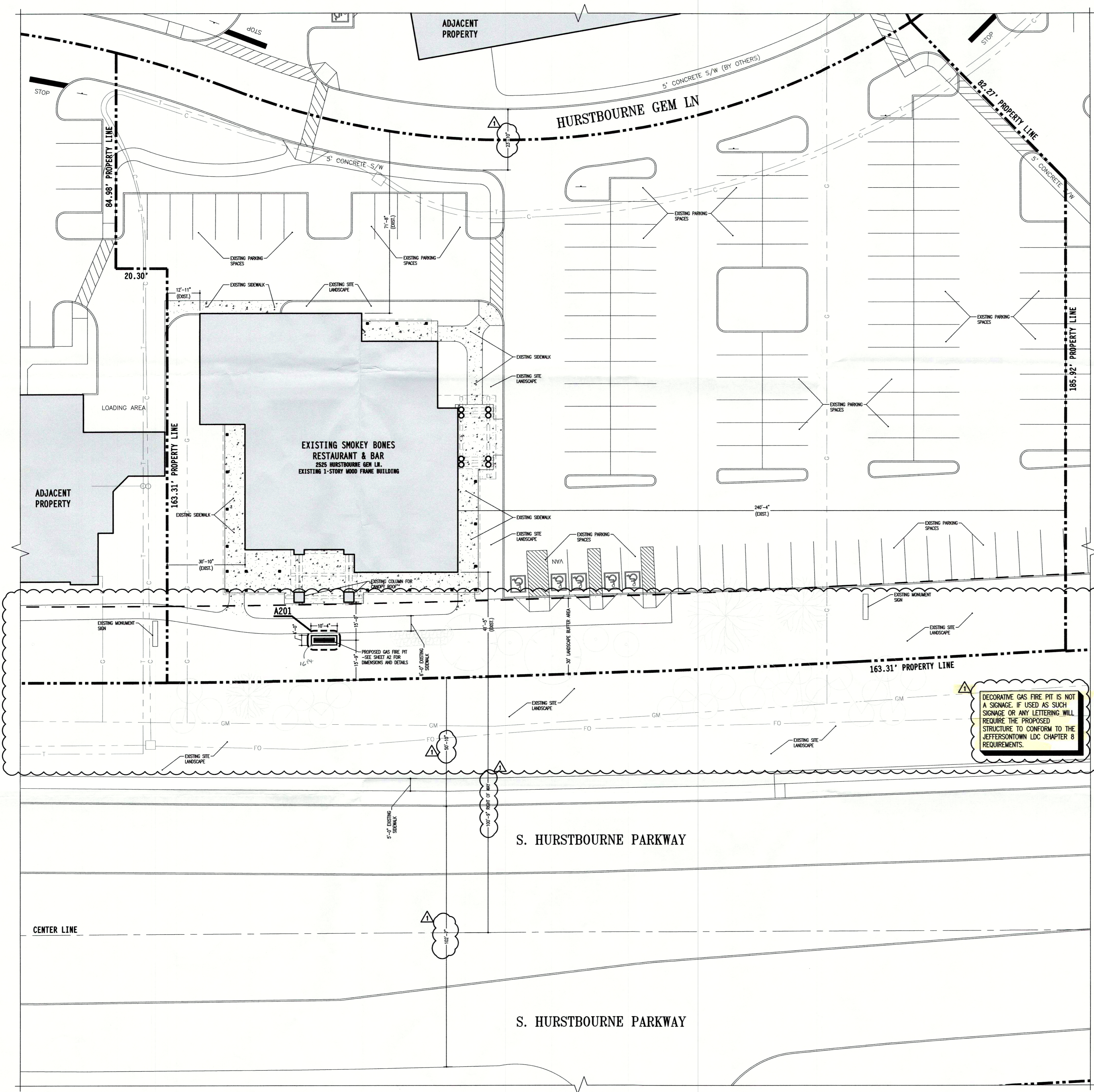
PRELIMINARY APPROVAL
Condition of Approval:
Tang Kelly 4-4-18
Development Review Date
LOUISVILLE & JEFFERSON COUNTY METROPOLITAN SEWER DISTRICT

PRELIMINARY APPROVAL DEVELOPMENT PLAN
CONDITIONS:
BY: *Jessie W. Saul*
DATE: *4/4/18*
LOUISVILLE/JEFFERSON COUNTY METRO PUBLIC WORKS

CASE #: 18WAIVER1010	
DRAWING INDEX	PROJECT CONTACTS
TS A1 A2	TENANT REPRESENTATIVE: ROBERT STAMM VICE PRESIDENT - DEVELOPMENT SMOKEY BONES BAR AND FIRE GRILL 2875 NE 191ST STREET, 5TH FLOOR AVENTURA, FL 33180 TEL: (954) 963-3089 EMAIL: RSTAMM@SMOKEYBONES.COM
	TENANT ARCHITECT REPRESENTATIVE: VALLE ERYN BARKER NESTOR, INC. 600 W CERMAK RD. #3C CHICAGO IL 60616 TEL: (847) 763-1692 FAX: (847) 763-1697 EMAIL: HEYV@BARKERNESTOR.COM

REVISION	ISSUE DESCRIPTION	ISSUE DATE	ISSUED FOR	ISSUED FOR SITE PLAN NUMBER	ISSUED FOR SITE PLAN NUMBER COMMENTS	
		09 MARCH 2018	ISSUED FOR			
		29 MARCH 2018	ISSUED FOR			
PREPARED FOR: BARBEQUE INTEGRATED, INC. 2999 NE 191ST STREET, SUITE #500, AVENTURA, FL 33180						
+ b a r k e r n e s t o r ARCHITECTURE + DESIGN 600 W CERMAK RD CHICAGO, IL 60616 TEL: (847) 763-1692 FAX: (847) 763-1697						
PROPOSED RESTAURANT DEVELOPMENT FOR: SMOKEY BONES Bar & Fire Grill 2525 HURSTBOURNE GEN LN, JEFFERSONTOWN, KY 40299						
PROJECT NUMBER	FILE NAME	DRAWN BY	APPROVED	DRAWING TITLE	DRAWING SCALE	DATE ISSUED
PROFESSIONAL SEAL:						
SHEET NUMBER: TS OF 3						

© 2018, BARKER NESTOR, INC. ALL RIGHTS RESERVED.
18 WAIVER 1010



SITE DATA BOX

ADDRESS: 2525 HURSTBOURNE GEM LN
JEFFERSONTOWN, KY 40299
 PARCEL ID: 0038-0836-0000
 OWNER NAME: BEN HILL GRIFFIN INC
 OWNER ADDRESS: P.O. BOX 127
FROSTPROOF, FL 33843
 ZONING: C-2
 FORM DISTRICT: SUBURBAN MARKETPLACE CORRIDOR
 ACRES: 1.84490
 EXISTING USE: RESTAURANT
 PROPOSED USE: RESTAURANT W/ DECORATIVE FIRE PIT

PROPOSED HEIGHT OF GAS FIRE PIT: 5'-0"

WAIVER FOR PARKWAY BUFFER: 18WAIVER1010

REQUESTED: GAS FIRE PIT IN A PARKWAY BUFFER
 REQUIREMENT: NO STRUCTURE PERMITTED IN PARKWAY BUFFER
 NOTE: ANY LANDSCAPING MATERIALS THAT HAVE BEEN REMOVED OR DIED SHALL BE REPLACED
 NOTE: THIS PLAN IS SUBJECT TO ALL BINDING ELEMENTS AS ESTABLISHED IN CASE NO. 9-70-98 RDDP APPROVED ON 02/28/2002 LD&T/STAMPED APPROVED ON 11/14/02 AND LANDSCAPE PLAN L-36-02

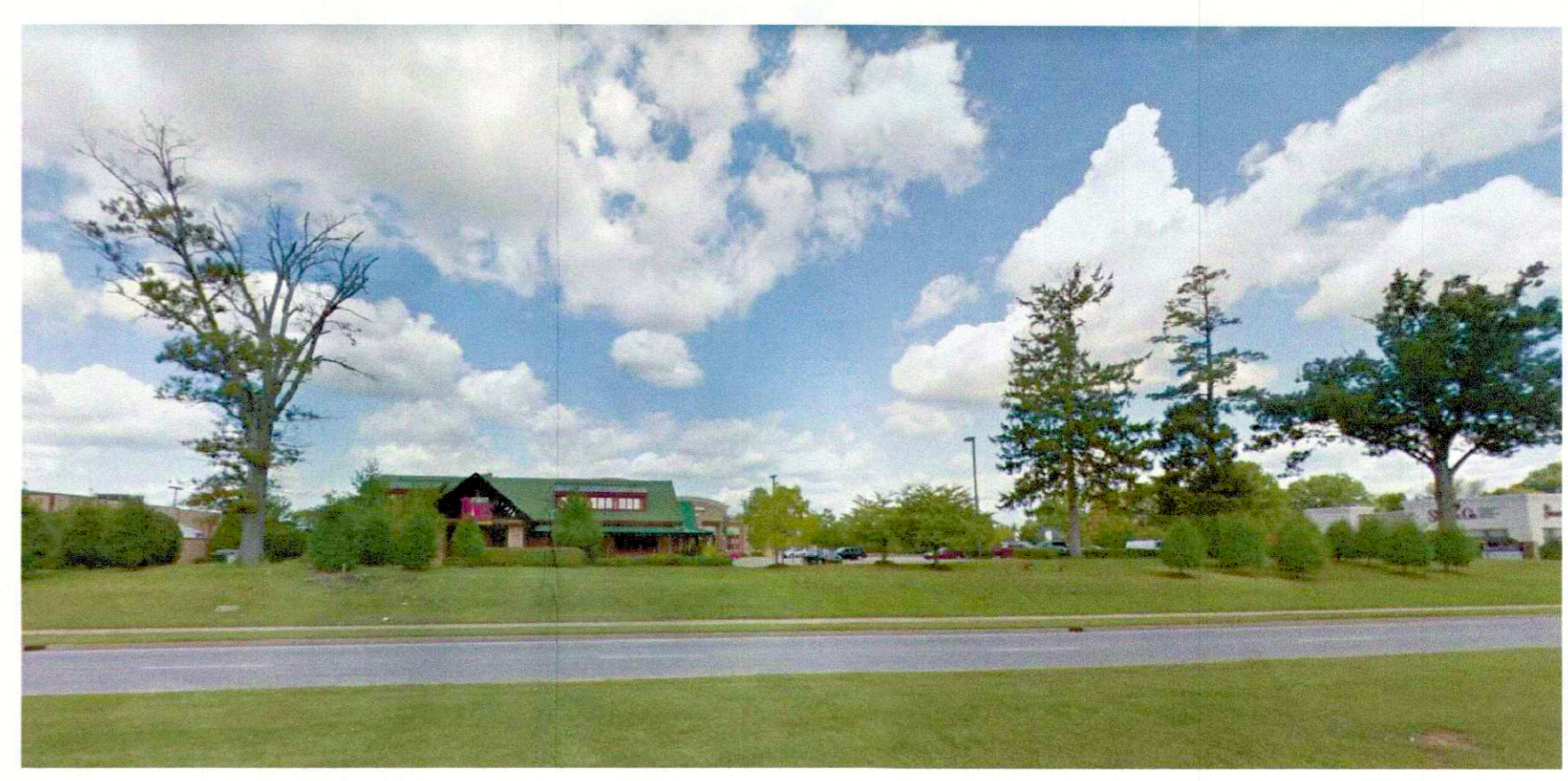
EXISTING UTILITY KEY LEGEND

---GM---	EXISTING GAS MAIN
---FO---	EXISTING FIBER OPTIC CABLE
---C---	EXISTING CABLE TV. CONDUIT
---T---	EXISTING 4" SCHD 40 PVC CONDUIT
---G---	EXISTING 2" GAS LINE

REVISION	ISSUE DATE	ISSUE DESCRIPTION
	09 MARCH 2018	ISSUED FOR SITE PLAN W/OWNER
	29 MARCH 2018	ISSUED FOR SITE PLAN W/OWNER COMMENTS

PREPARED FOR:
BARBEQUE INTEGRATED, INC.
 2999 NE 191ST STREET, SUITE #500, AVENTURA, FL 33180

A101 SITE PLAN
 SCALE: 1:20



EXISTING SITE PHOTO

RECEIVED
 APR 02 2018
 DESIGN SERVICES

PROPOSED RESTAURANT DEVELOPMENT FOR:
SMOKEY BONES Bar & Fire Grill
 2525 HURSTBOURNE GEM LN.
 JEFFERSONTOWN, KY 40299

PROJECT NUMBER: N172100	DATE: 03/29/2018	SCALE: AS SHOWN
FILE NAME: 180410.SITE PLANING	DRAWN BY: LM	AS SHOWN
APPROVED:	DRAWING TITLE:	DATE ISSUED:

PROFESSIONAL SEAL:
A1 OF 3

SHEET NUMBER:
A1 OF 3

© 2018, BARKER NESTOR, INC. ALL RIGHTS RESERVED.
 18 WAIVER 1010

FIRE PIT SPECIFICATIONS

QUANTITY	MANUFACTURER	MODEL	NOTES
1	FIREGEAR	FPB-SB-NL1	NEW COMPLETE SYSTEM INCLUDING ENCLOSURE -ENCLOSURE, STAINLESS STEEL TOP, (2) BURNERS, GLASS WINDSHIELD, GLASS MEDIA, LID

ISSUE DATE	ISSUE DESCRIPTION	REVISION
09 MARCH 2018	ISSUED FOR SITE PLAN WORK	
29 MARCH 2018	ISSUED FOR SITE PLAN WORK COMMENTS	Δ

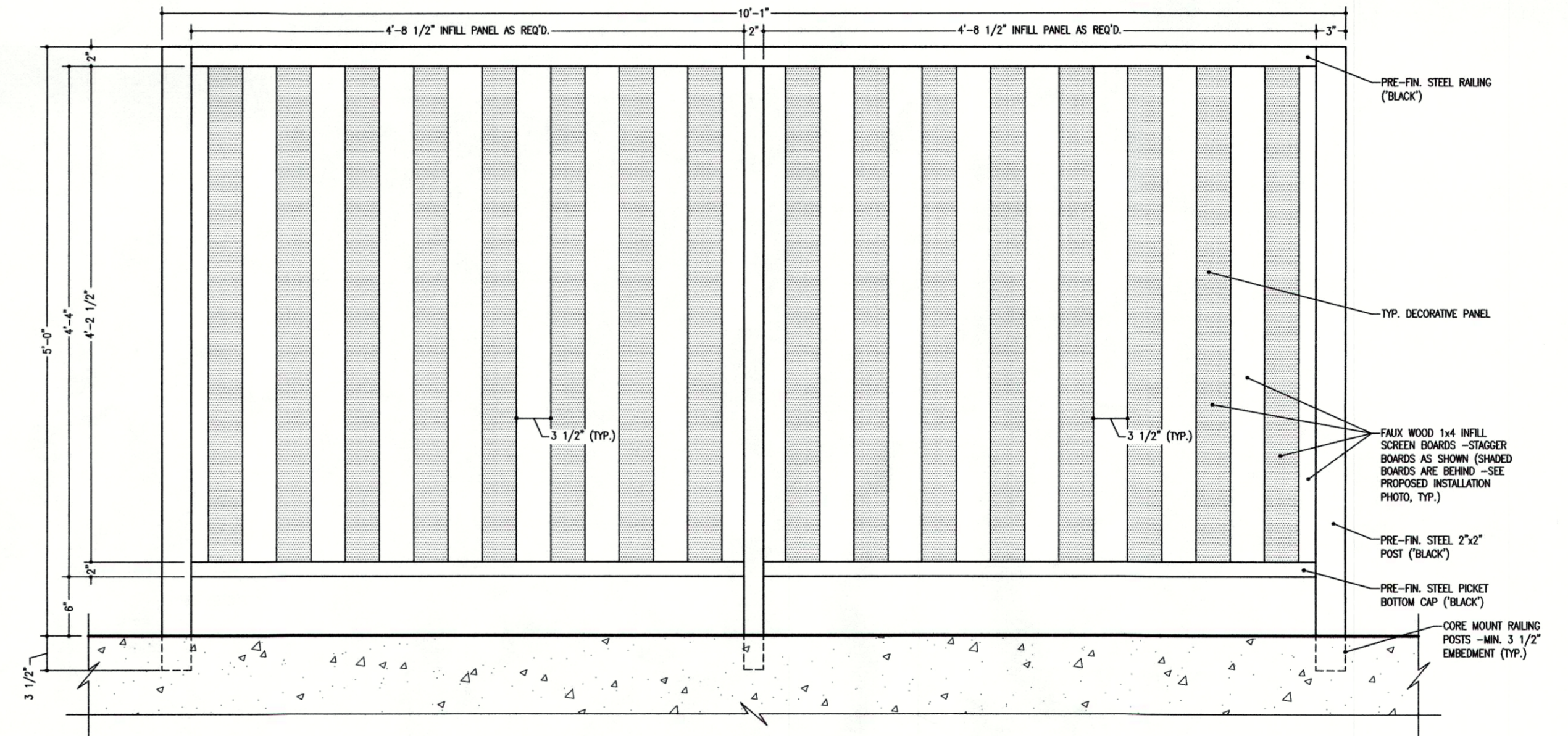
PREPARED FOR:
BARBEQUE INTEGRATED, INC.
 2999 NE 191ST STREET, SUITE #600, AVENTURA, FL 33180

PROPOSED RESTAURANT DEVELOPMENT FOR:
SMOKEY BONES
Bar & Fire Grill
 2525 HURSTBOURNE GLEN LN.
 JEFFERSONTOWN, KY 40729

PROJECT NUMBER:	INITIALS:	DATE ISSUED:
SMOKEYBONES-201803	JM	AS SHOWN

PROFESSIONAL SEAL:

SHEET NUMBER:
A2 OF 3

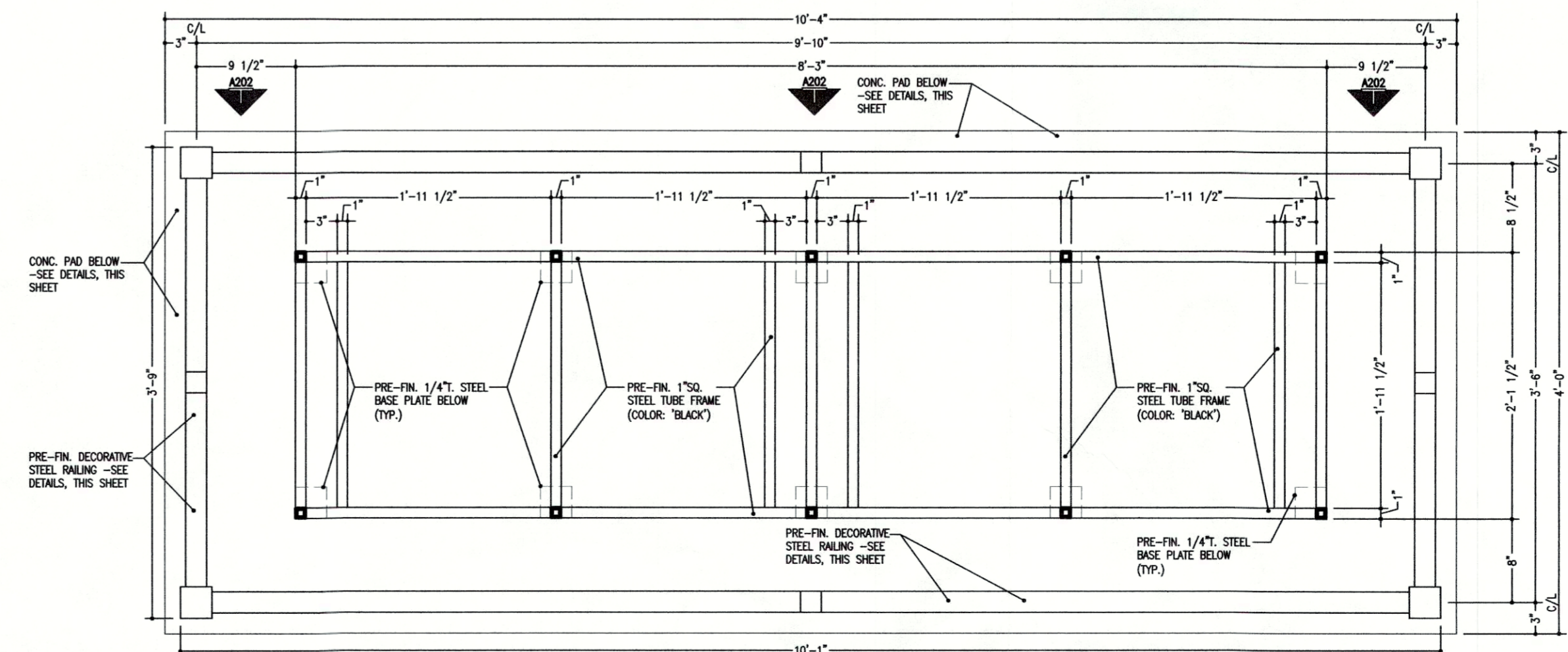


A202 RAILING ELEVATION
 SCALE: 1"=1'-0"

RECEIVED
 APR 02 2018
 DESIGN SERVICES



EXAMPLE INSTALLATION PHOTO



A201 ENLARGED FIRE PIT PLAN
 SCALE: 1"=1'-0"