

CIF061522SWMS21

Louisville Metro Council City Agency Request

Neighborhood Development Fund (NDF)

▪ **Capital Infrastructure Fund (CIF)**

Municipal Aid Program (MAP)

Paving Fund (PAV)

Primary Sponsor: Councilwoman Nicole George

Amount: \$12,880 **Date:** 6/6/2022

Description of program/project including public purpose, additional funding sources, location of project/program and any external grantee(s):
Funding for 16 new trash receptacles in the public right of way in District 21. Placements to be determined by the District 21 Office and Solid Waste Management Services

\$805 x 16 = \$12,880

City Agency: Solid Waste Management Services / Public Works and Assets
Contact Person: Antonio Baldon
Agency Phone: 502-574-4362

I have reviewed this request for an expenditure of city tax dollars, and have determined the funds will be used for a public purpose and have the attached documentation from the receiving department concerning the project/expenditure.

21 *Nicole George* \$12,880 6/6/2022
District # Council Member Signature Amount Date

Approved by: _____
Appropriations Committee Chairman Date
Clerk's Office & OMB Use Only:
Request Amount: _____ Amended Amount: _____
Reference #: CIF061522SWMS21 To OMB: _____
Budget Revision #: _____
Account #: _____
To Project Manager: _____ Completion Date: _____
Actual Cost: _____ Funds Returned: _____

NDF, CIF, MAP OR PAV INTERAGENCY CHECKLIST

Interagency Name: Solid Waste Management Services (SWMS)	
Program/Project Name: District 21 Trash Receptacles	
	Yes/No/NA
Request Form: Is the Request Signed by all Council Member(s) Appropriating Funding?	Yes <input type="checkbox"/>
Request Form: If matching funds are to be used, are they disclosed with account numbers in the request form description?	NA <input type="checkbox"/>
Request Form: If matching funds are to be used, does the amount of the request exclude the matching fund amount?	NA <input type="checkbox"/>
Request Form: If other funds are to be used for this project, are they disclosed with account numbers in the request form description?	NA <input type="checkbox"/>
Funding Source: If CIF is being requested, does Metro Louisville own/will own the real estate, building or equipment? If not, the funding source is probably NDF.	Yes <input type="checkbox"/>
Funding Source: If CIF is being requested, does the project have a useful life of more than one year? If not, the funding source is probably NDF.	Yes <input type="checkbox"/>
Ordinance Required: Is the NDF request to a Metro Agency greater than \$5,000? If so, an ordinance is required.	NA <input type="checkbox"/>
Ordinance Required: Is the request a transfer from NDF to cost center? If so, is the amount given for the fiscal year \$25,000 or less?	No <input type="checkbox"/>
Supporting Documentation: Does the attachment include a valid estimate and description of cost?	Yes <input type="checkbox"/>

Submitted by: Rachel Roarx, District 21 Legislative Aide

Date: 6/6/2022

Roarx, Rachel G.

From: Baldon, Antonio J Sr
Sent: Wednesday, June 1, 2022 6:52 PM
To: Roarx, Rachel G.
Cc: George, Nicole A.; Katz, Rebecca A.; Axsom, Amy
Subject: Re: Acceptance of Funds

SWMS will accept funds.

Sent via the Samsung Galaxy S10e, an AT&T 5G Evolution capable smartphone
Get [Outlook for Android](#)

From: Roarx, Rachel G. <Rachel.Roarx@louisvilleky.gov>
Sent: Wednesday, June 1, 2022, 4:42 PM
To: Baldon, Antonio J Sr
Cc: George, Nicole A.; Katz, Rebecca A.; Axsom, Amy
Subject: Acceptance of Funds

Director Baldon,

Will you accept the CIF funds of \$12,880 for 16 new trash receptacles in black for D21?

1. 4801 Southside Dr
2. Tenny Ave & Southside Dr
3. Amherst & Southside Dr
4. Southland Blvd & Southside Dr
5. Southland Blvd & Southside Dr
6. Gheens Ave & Southside Dr
7. Steedly Dr & Southside Dr
8. Seneca Trail North & Southside Dr
9. Strawberry Lane & Southside Dr
10. 4503 S 3rd St
11. 6603 S 3rd St. (Southeast corner of Seneca Trl and S 3rd St)
12. 6714 S 3rd St. (West side of S 3rd St at the very last bus stop where the trolley path meets S 3rd St)
13. 601 W Kenwood Dr. (North side of W Kenwood Dr at Faye, where the bus stop is located) Concrete pad already exists across island between carriage path and official road.
14. 317 E Kenwood Dr. (The easement at this house has been paved)
15. Hart Ave and Preston Hwy
16. 4148 Taylor Blvd - Hazelwood Shopping Center on Taylor Blvd



Rachel Roarx | Legislative Aide
Office of District 21 Councilwoman Nicole George
City Hall | 601 W. Jefferson St. | 3rd Floor
Office: (502) 574-1121

Click [here](#) to sign up for the District 21 eNewsletter!

Axsom, Amy

From: mark.berginski@indoff.com
Sent: Monday, February 14, 2022 12:27 PM
To: Axsom, Amy
Subject: Re: LEISURE CRAFT TRASH RECEPTACLES (QUANTITY 9)

That is what they told me. I will check again.

On Feb 14, 2022, at 12:23 PM, Axsom, Amy <Amy.Axsom@louisvilleky.gov> wrote:

Is the timeframe for delivery still 22 weeks?

From: Berginski, Mark <mark.berginski@indoff.com>
Sent: Friday, February 11, 2022 1:27 PM
To: Axsom, Amy <Amy.Axsom@louisvilleky.gov>
Subject: LEISURE CRAFT TRASH RECEPTACLES (QUANTITY 9)

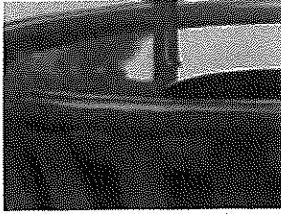
Indoff is pleased to quote the following trash receptacle from Leisure Craft to meet your requirements. The pricing below reflects MA 758 210000610 that Indoff has with the State of Kentucky.
Leisure Craft-Litter Container Model SR32-SML

- 32 Gallon Metal Ribbon Pattern with Spun Metal Lid
- Plastic Liner Included
- Various Colors-See attached color chart
- Additional Spec Sheets attached , showing concrete mounting options if desired.
- Estimated Quantity=9

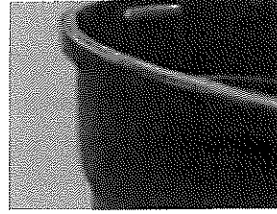
PRICE, Delivered to Louisville, KY 40217.....\$805.00 EACH
TOTAL PRICE FOR QUANTITY OF 9=\$7,245.00
DELIVERY..... 22 WEEKS
NO SALES TAX INCLUDED

Please review this and the attached information at your convenience. Any questions, please do not hesitate to contact me.
Best Regards,

product details



- Coated Surfaces:**
- Thermoplastic coated
 - Copolymer-based, environmentally safe
 - Does not fade, crack, peel warp
 - Applied at a thickness of 25-30 mils.
 - 5 Year warranty on coating



- Liner:**
- Black polyethylene plastic

- Construction:**
- ¼" x 2" Steel straps
 - 1½" Steel tube lip
 - 4 Leveler feet
 - Optional surface mount plate for B100, B200 mounts (see below)

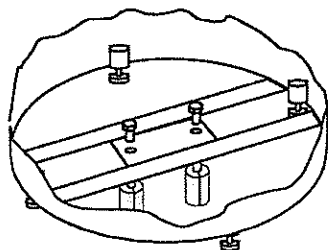
mounting types

P = Portable :
No mount.

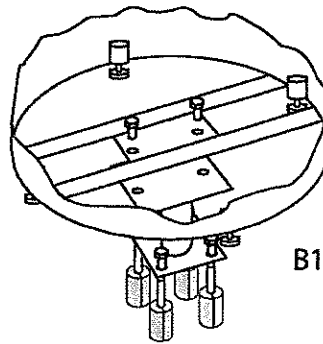
Surface Mount1:
Concrete anchors through bottom plate.

Surface Mount2:
Bolts through bottom plate into B100 surface mount. B100 Mounted to concrete with anchors.

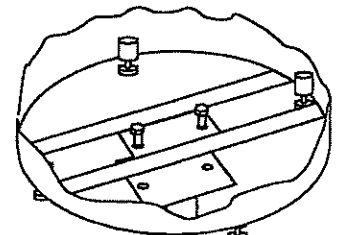
IG= In-Ground:
Bolts through bottom plate into B200 surface mount. B200 embedded in hole filled with concrete.



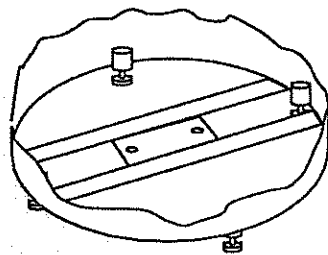
SURFACE MOUNT (1)



SURFACE MOUNT (2)



B200



PORTABLE

IN-GROUND

