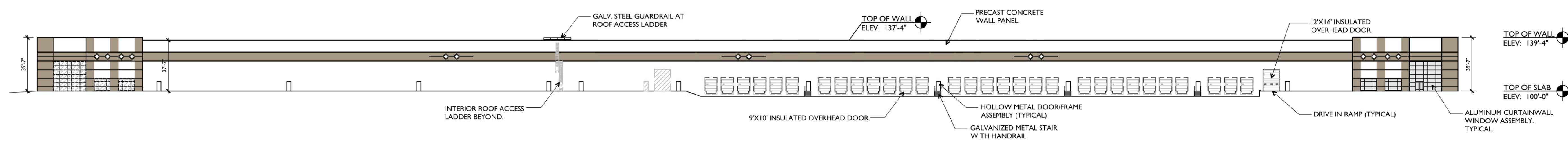
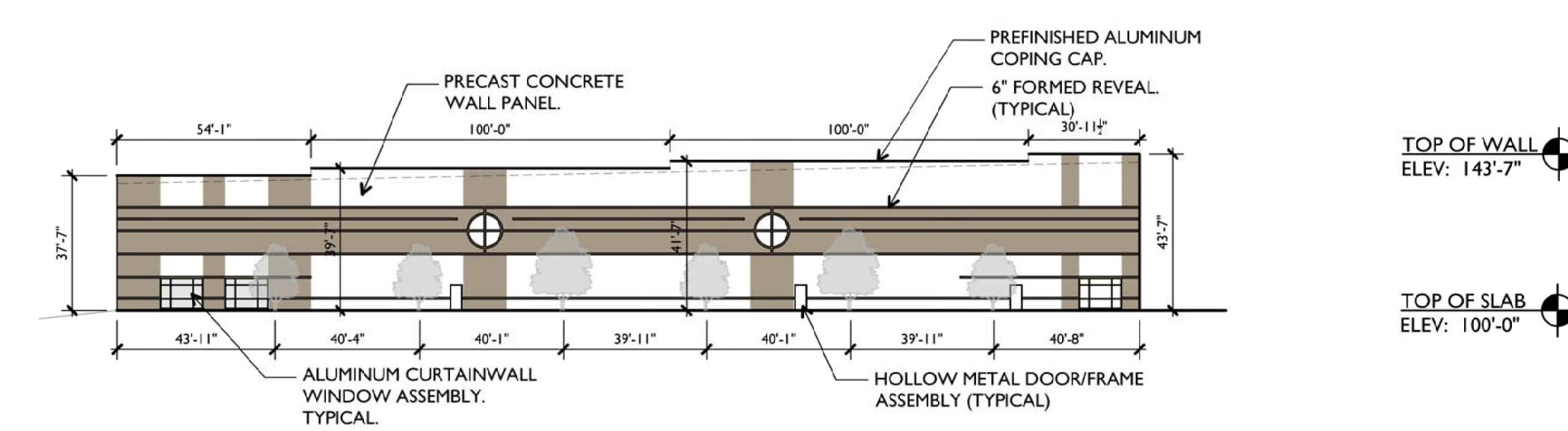


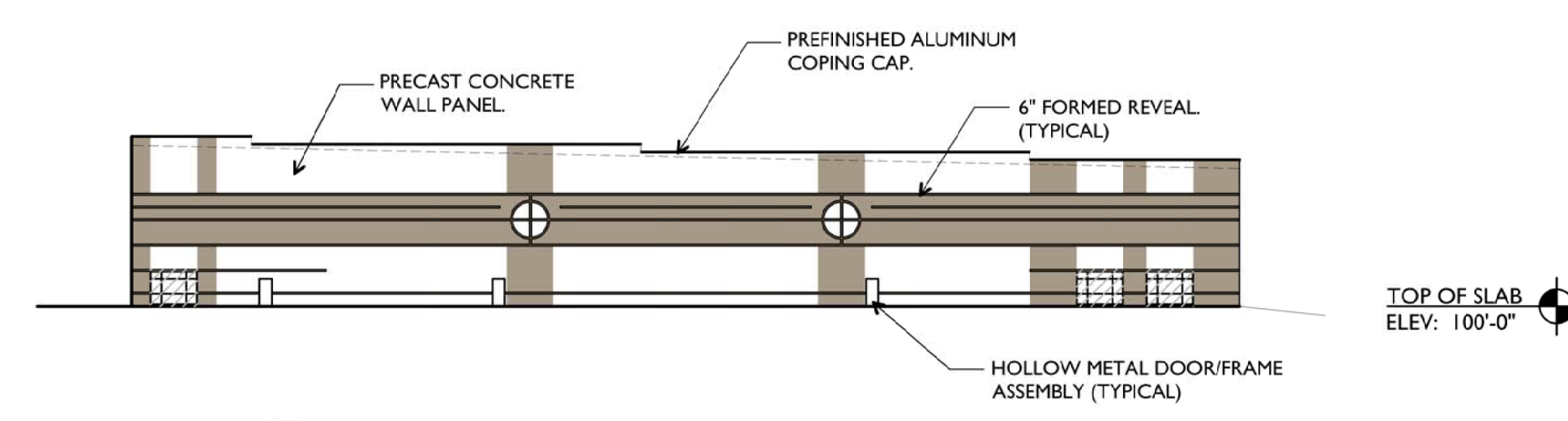
1 South Elevation
A-501 full size plot scale: 1"=40'-0"



2 North Elevation
A-501 full size plot scale: 1"=40'-0"



3 West Elevation
A-501 full size plot scale: 1"=40'-0"



4 East Elevation
A-501 full size plot scale: 1"=40'-0"

Notice
The Architect/Engineer does not define the scope of individual trades, subcontractors, material suppliers, or vendors. Any sheet numbering system used which identifies disciplines is solely for the Architect/Engineer's convenience, and is not intended to define a subcontractor's scope of work. Information regarding individual trades, subcontractors, material suppliers, and vendors may be detailed, described and indicated at different locations throughout these documents. The consideration will be given to requests for change orders for failure to obtain and review the complete set of drawings and specifications when preparing bids, prices, and quotations.