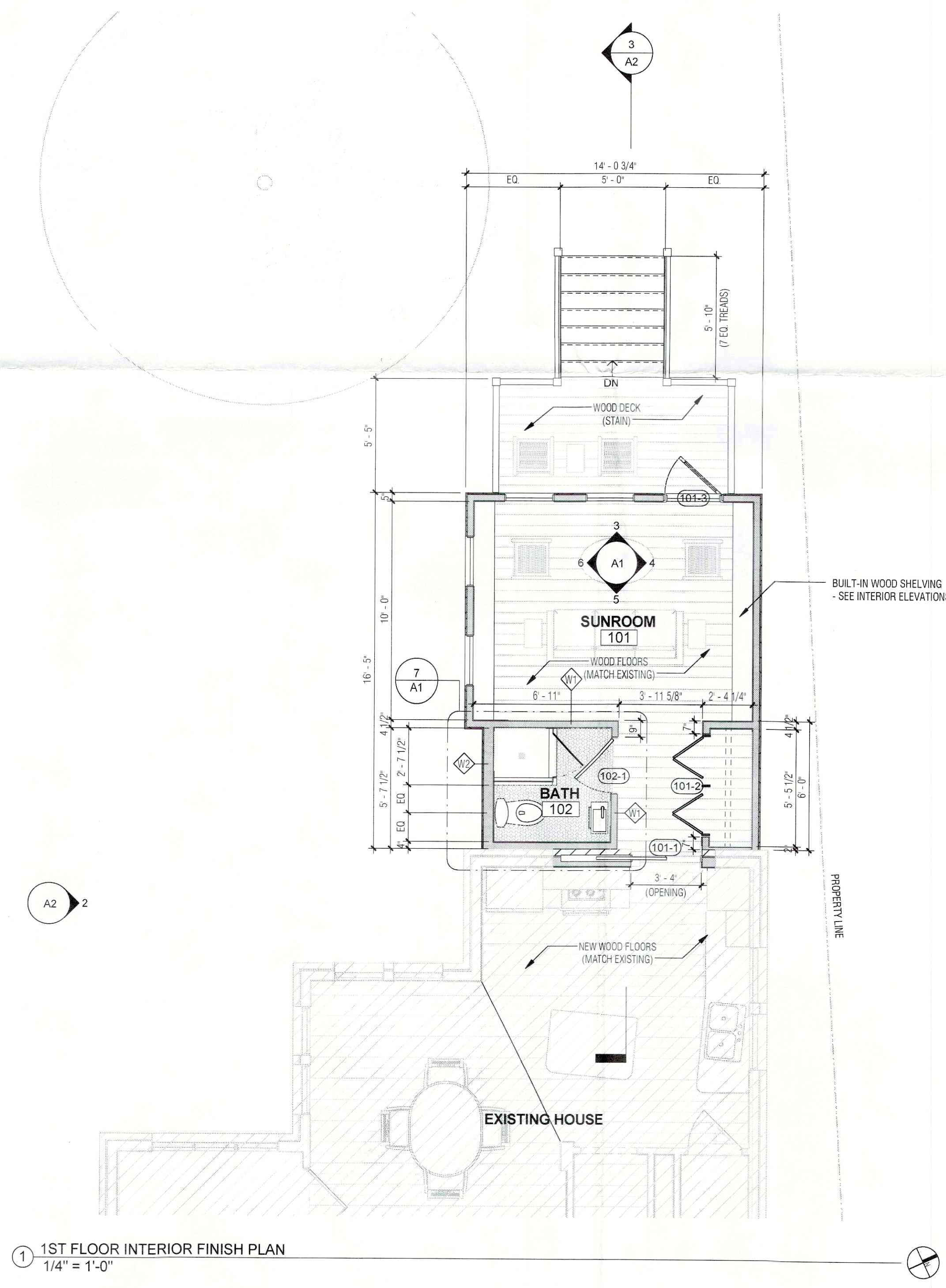
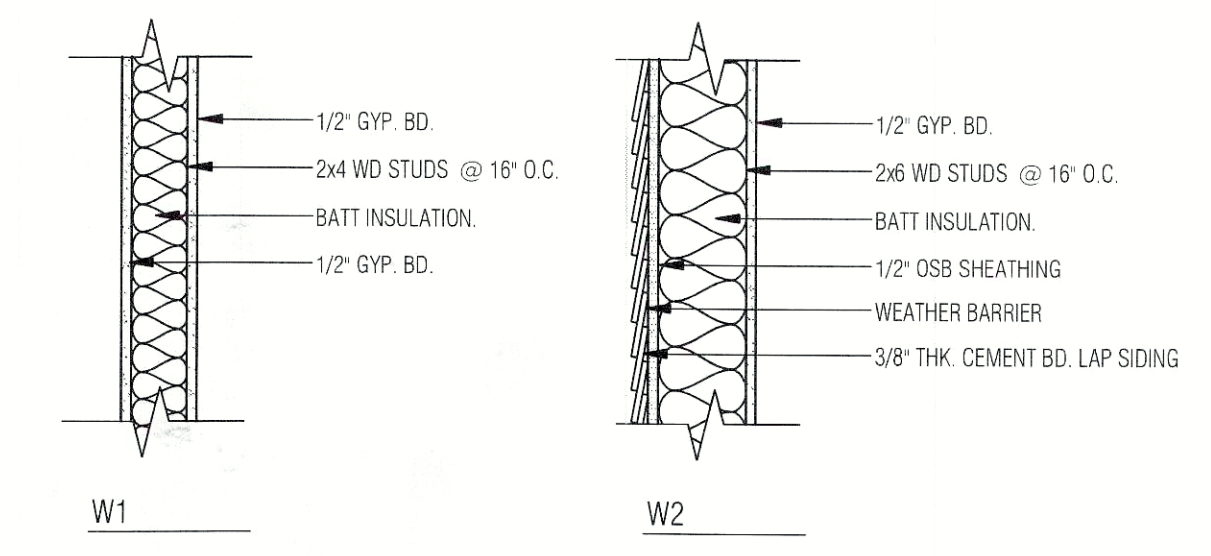


GENERAL NOTES - INT. ELEVATIONS

- ALL FLOOR DECK AREAS TO HAVE 1/2" DUROCK UNDERLAYMENT WHERE CERAMIC TILE FLOOR FINISH IS SPECIFIED
- PAINT FINISHES: WALLS - "EGGSHELL"; CEILINGS - "FLAT"; TRIM, BASE & DOORS - "SEMI-GLOSS"



LMS DESIGN
ARCHITECTURAL SERVICES

PO BOX 6181
LOUISVILLE KY 40206
317.345.4388
stoughton@lmsdesignllc.com

PERMIT SET

CONSULTANT SEAL

CONSULTANT SEAL

RECEIVED
NOV 21 2016
PLANNING & DESIGN SERVICES

PROJECT
ROANOKE RESIDENCE

1839 ROANOKE AVE LOUISVILLE KY
40205

PROJECT NO. 1608
ISSUE DATE 11/01/2016

REVISION NO.

SCALE

SHEET TITLE
FLOOR PLANS & INTERIOR ELEVATIONS

SHEET NO.

A1