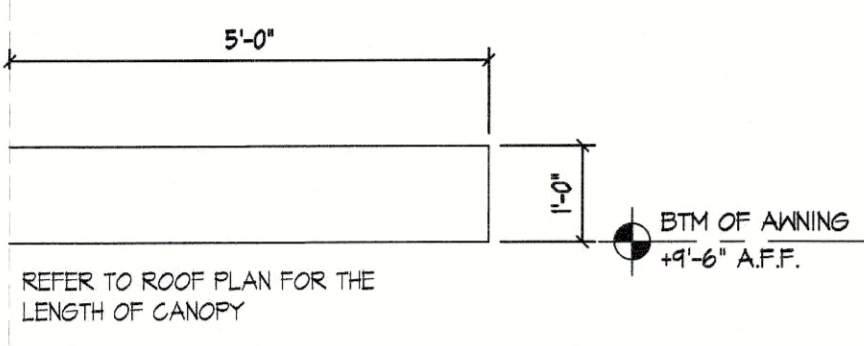
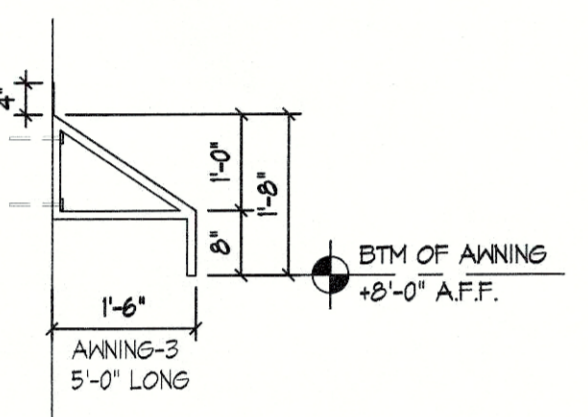


**5 METAL CANOPY- (2-3-4) SIDE ELEVATION**  
SCALE: 1/2"=1'-0" REFER TO ROOF PLAN FOR DIMENSION AND LOCATION



**4 METAL CANOPY- (1) SIDE ELEVATION**  
SCALE: 1/2"=1'-0" REFER TO ROOF PLAN FOR DIMENSION AND LOCATION



**3 METAL AWNING SIDE ELEV.**  
SCALE: 1/2"=1'-0"

EXTERIOR FINISH LEGEND / EXTERIOR ELEVATION KEY						
	MATERIAL	DESCRIPTION	MANUFACTURER	STYLE / MODEL	COLOR / FINISH	REMARKS
1	BRICK-1	MODULAR BRICK IN RUNNING BOND	TAYLOR CLAY PRODUCTS	WIRE CUT	343 GRAY	MORTAR: MORTAMIX+ HOLGIM ANTIQUE WHITE
2	BRICK-2	MODULAR BRICK IN WATER TABLE	TAYLOR CLAY PRODUCTS	WIRE CUT	343 GRAY	MORTAR: MORTAMIX+ HOLGIM ANTIQUE WHITE
3	EIFS	EXTERIOR FINISH ON TOWER	STO	FINE SAND FINISH	REFER TO COLOR LEGEND BELOW	
4	EIFS-1	EXTERIOR INSULATION FINISH WALL SYSTEM	STO	FINE SAND FINISH	16049 T4 C1	
5	EIFS-2	EXTERIOR INSULATION FINISH WALL SYSTEM	STO	FINE SAND FINISH	16279	
6	◇	ALUMINUM-FRAMED ENTRANCES AND STOREFRONTS	KANNEER	DERMA FLOUR	CHARCOAL	
7	METAL-1	FLUSH SERIES METAL VERTICAL WALL PANEL, COPING AND TRIM	CONSTRUCTION METAL PRODUCTS 888-750-4821	CMP FLUSH PANEL, 1/2" V GROOVE PROFILE	CHARCOAL GREY	MATCHING COLOR, CUSTOM TRIM SHAPED BY ROOF MFR.
8	METAL-2	METAL CANOPY, DRIVE-THRU FASCIA COPING AND FLASHING	CONSTRUCTION METAL PRODUCTS 888-750-4821		CHARCOAL GREY	REFER TO ROOF PLAN
9	NOT USED					
10	COPING-1	METAL CAP ON PARAPET	DURO-LAST COPING	CANTED COPING	WHITE - TO BE APPROVED BY BOJANGLES' CORPORATE	SEE NOTE SHEET 16/A-4.2.
11	COPING-2	METAL CAP ON TOWER	DURO-LAST COPING	CANTED COPING	MATCH COLOR TO EIFS-2	SEE NOTE SHEET 2A/A-4.3
12	EXT. PAINT-1	EXTERIOR PAINT ON STEM WALL	SHERWIN WILLIAMS	PRO INDUSTRIAL URETHAMINE ALKYD ENAMEL	MATCH TO METAL-1. TO BE APPROVED BY BOJANGLES' CORPORATE	USE ON KITCHEN DOORS, EXT. STORAGE & WASTE ENCLOSURE GATES
13	EXT. PAINT-2	EXTERIOR PAINT	SHERWIN WILLIAMS	PRO INDUSTRIAL URETHAMINE ALKYD ENAMEL	CUSTOM COLOR - MATCH PANTONE COLOR: ITS C (ORANGE)	BOLLARDS
14	GUARDRAIL		SHERWIN WILLIAMS	PRO INDUSTRIAL URETHAMINE ALKYD ENAMEL	CUSTOM COLOR - MATCH PANTONE COLOR: ITS C (ORANGE)	REFER TO 4/A-3.1
15	8' X 8' THRU WALL OVERFLOW SCUPPER					SEE BOTTOM OF OUTLET 2" ABOVE ADJACENT ROOF MEMBRANE LEVEL. REFER TO 4/A-3.1

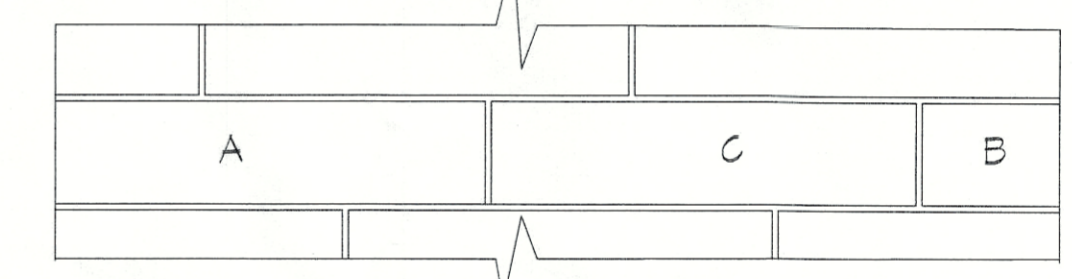
- NOTES:
- SUBSTITUTIONS ARE ALLOWED ONLY WITH THE PRIOR APPROVAL OF BOJANGLES' RESTAURANTS, INC. AND IF THE SUBSTITUTION MEETS OR EXCEEDS THE STANDARD SET BY THE PRODUCT SPECIFIED HERE. SEE SPECIFICATIONS FOR ADDITIONAL REQUIREMENTS.
  - ALL EXPOSED FLASHING AT METAL ROOFS TO MATCH ROOF COLOR; OTHER LOCATIONS TO BE 'BRONZE' COLOR.
  - SUBMIT SAMPLES OF METAL ROOF COLORS TO OWNER FOR APPROVAL PRIOR TO PROCUREMENT.

EXTERIOR FINISH LEGEND / EXTERIOR ELEVATION KEY			
	DESCRIPTION	COLOR / FINISH	REMARKS
16	REVEAL ON EIFS	REFER TO ELEV.TAG 4	16 REFER TO 4/A-4.2 16A REFER TO 5/A-4.2
17	LIGHT FIXTURE	COLOR TO MATCH METAL 1	CENTER TO COLUMN /WINDOW/CANOPY/BETWEEN WINDOWS
18	CANOPY-METAL	COLOR TO MATCH GUARDRAIL	REFER TO ELEV.TAG
19	BOLLARDS	COLOR TO MATCH GUARDRAIL	REFER TO 5-6/A-5-1.2 REFER TO ELEV.TAG 13
20	DRIVE THRU WINDOW	COLOR TO MATCH METAL 2	REFER TO 2/A-4.3
21	SIGNAGE		SIGNAGE BY OTHERS
22	METAL AWNING	CUSTOM COLOR - MATCH PANTONE COLOR: ITS C (ORANGE)	REFER TO SECTION 3/A-3.2
23	LOCATION OF GAS METER	COLOR TO MATCH METAL 1	SEAL AROUND ALL PENETRATION. GC TO PROVIDE GAS METER PROTECTION PER CODE
24	ELECTRICAL SERVICE LOCATION	COLOR TO MATCH METAL 1	3'X3' CT CABINET- REFER TO ELECTRICAL DRAWINGS
25	TOWER WALL BEYOND		REFER TO 2/A-4.3
26	10' X 10' LOUVER FOR ROOF	COLOR TO MATCH METAL 1	REFER TO SECTIONS
27	DOWN SPOUT WITH CONDUCTOR HEAD	COLOR TO MATCH METAL 1	REFER TO ROOF PLAN
28	EMERGENCY OVERFLOW		REFER TO ROOF PLAN
29	METAL-SKIRT TO CONCEAL PIPES	COLOR TO MATCH METAL-1	STOP BRICK MAINSCOT AT CT CABINET. PROVIDE FINISH EIFS ON WALL
30	ROOF SLOPE BEHIND THE PARAPET		REFER TO SECTIONS
31	KNOX BOX	COLOR TO MATCH METAL-1	
32	HOLLOW METAL DOOR	PAINT -1	REFER TO ELEV.TAG 12
33	METAL LADDER	COLOR TO MATCH METAL-1	REFER TO 4/A-1.3
34	HOSE BIB		REFER TO PLUMBING DRAWINGS

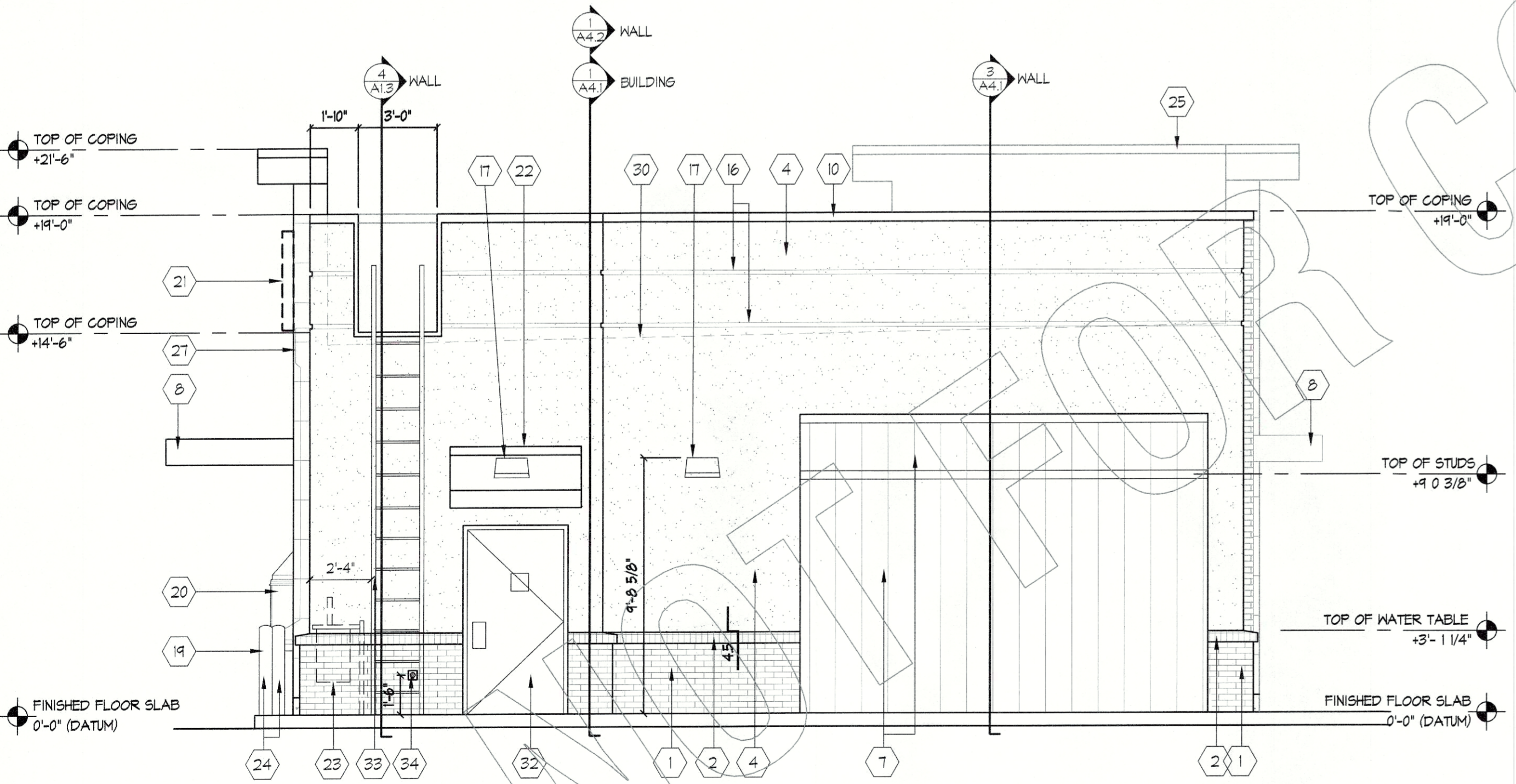
**COLOR LEGEND FOR EIFS**

A	DARK COLOR	SHERWIN WILLIAMS / SW T518- BEACH HOUSE-288-C3
B	LIGHT COLOR	SHERWIN WILLIAMS / SW T526- MAISON BLANCHE -288-C1
C	MEDIUM COLOR	SHERWIN WILLIAMS / SW T519- FRESCO CREAM-288-C2

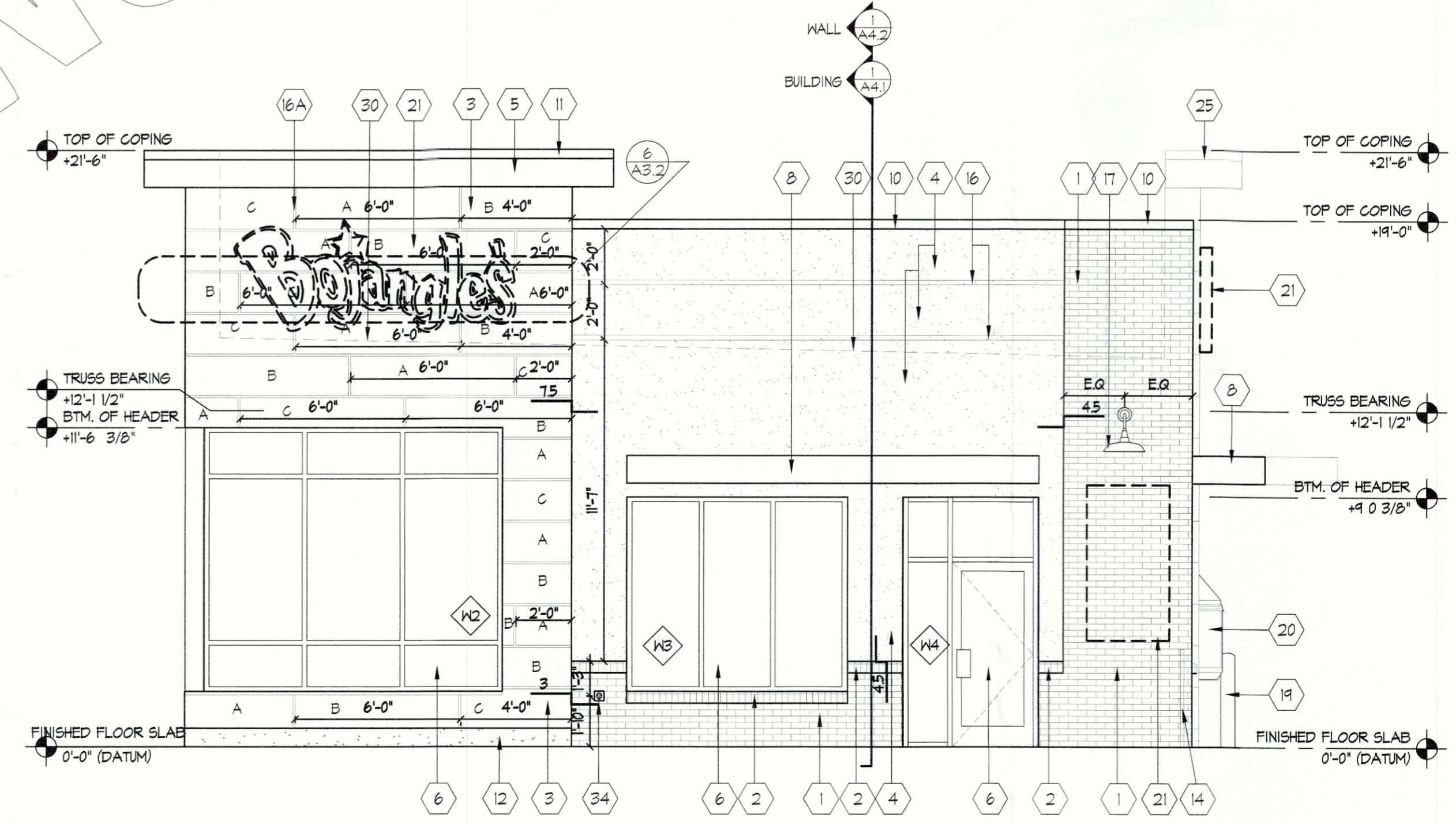
\*\*\* SAME COLOR WILL CONTINUE WRAPPING UP THE CORNERS.



**6 COLOR LEGEND BEHIND THE SIGNAGE**  
SCALE: 1/2"=1'-0"



**2 REAR ELEVATION**  
SCALE: 1/4"=1'-0"



**1 FRONT ELEVATION**  
SCALE: 1/4"=1'-0"

NOTE: ALL SIGNAGE/GRAPHICS ARE TO BE REVIEWED AND APPROVED BY LOCAL ZONING AUTHORITIES, PRIOR TO INSTALLATION

RECEIVED  
JAN 11 2021  
PLANNING & DESIGN SERVICES

THE ARCHITECT/ENGINEER DOES NOT DEFINE THE SCOPE OF INDIVIDUAL TRADES, SUBCONTRACTORS, MATERIAL SUPPLIERS, OR VENDORS. ANY SHEET NUMBERING SYSTEM USED WHICH IDENTIFIES DISCIPLINES IS SOLELY TO SEPARATE ARCHITECTS AND ENGINEER'S SCOPE. IT DOES NOT DEFINE A SUBCONTRACTOR'S SCOPE OF WORK. ANY DISCREPANCIES BETWEEN DRAWINGS, SPECIFICATIONS, CODES OR CONSTRUCTION SEQUENCING SHALL BE BROUGHT TO THE ATTENTION OF THE ARCHITECT PRIOR TO PROCEEDING. NO CONSIDERATION WILL BE GIVEN TO REQUESTS FOR CHANGE ORDERS FOR FAILURE TO OBTAIN AND REVIEW THE COMPLETE SET OF CONSTRUCTION DOCUMENTS, OR FOR FAILURE TO SEEK INTERPRETATION FROM ARCHITECT FOR DISCREPANCIES.

Sheet  
**A-3.2**

ISSUE DATE: 12-23-2020  
REVISION 1: \_\_\_\_\_  
REVISION 2: \_\_\_\_\_  
REVISION 3: \_\_\_\_\_  
REVISION 4: \_\_\_\_\_  
PROJECT #: 20-150-000  
CONTENT: EXTERIOR ELEVATIONS

PROJECT ARCHITECT: ECE  
DRAWN BY: \_\_\_\_\_  
CADD FILE NAME: 18-180 CDVA-3.2 EXT ELEVATIONS

P:\CLIENT FILES\Bojangles\20-150-000\_Bojangles (C) 15-1-1A\_MR\06-CJ's-20-129-000-15-1-1A\_MR\03-2 EXTERIOR ELEVATIONS.dwg, Plotted By: endibontoglu, Plotted: Dec 29, 2020 - 4:01pm

NOT FOR CONSTRUCTION

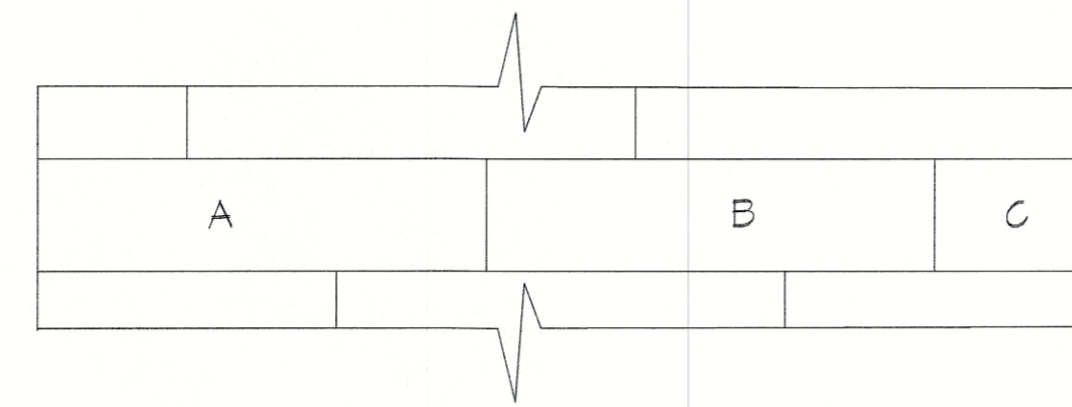
NOT FOR CONSTRUCTION

BOJANGLES' RESTAURANT  
PROTOTYPE 15-1.1A  
(MIRRORED)

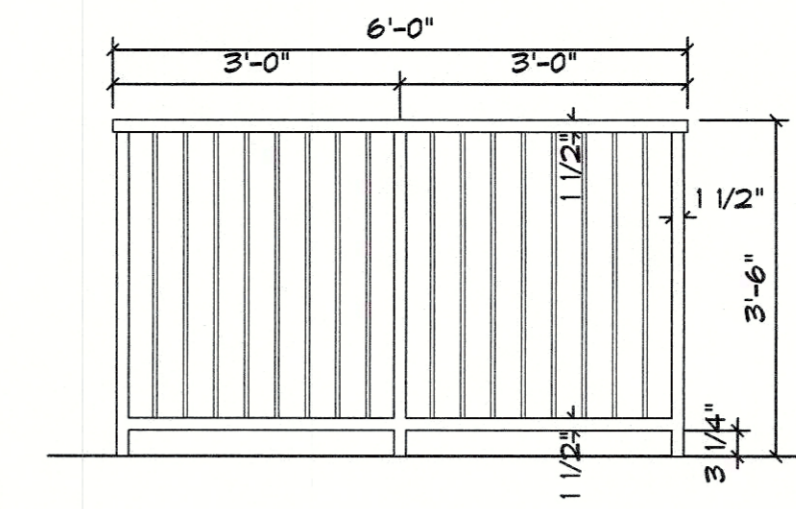
**ED**  
Architecture + interior design  
421 Penman Street, Suite 200, Charlotte, NC 28203  
Email: esc@escarch.com • Phone: 704-373-1900



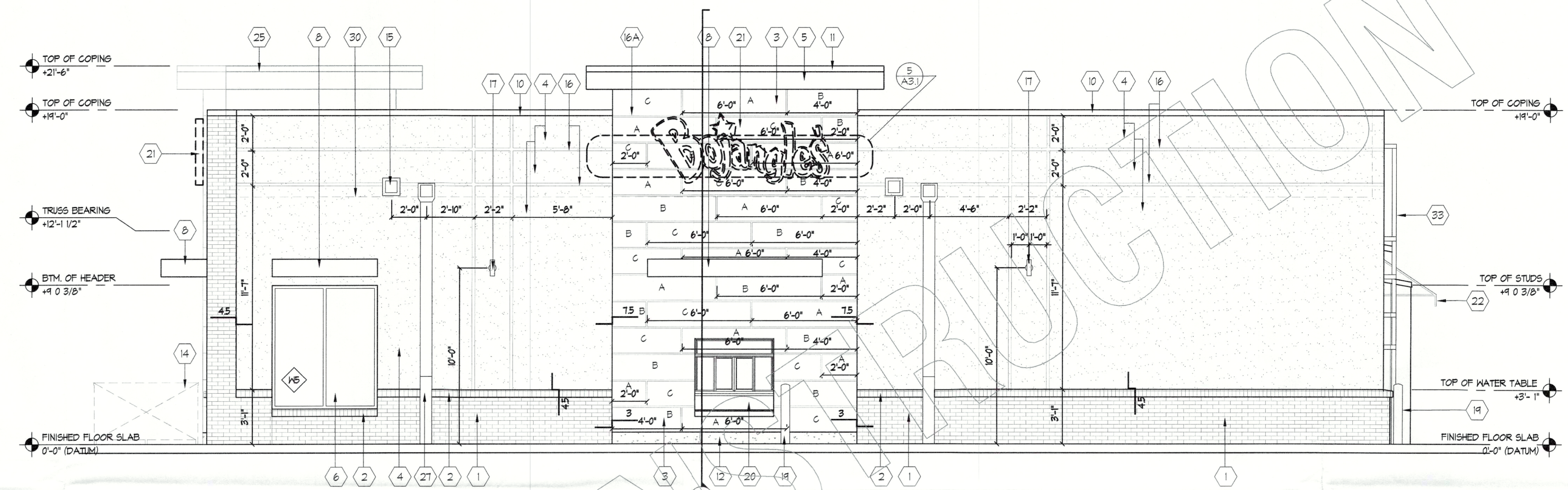
P:\CLIENT FILES\Bojangles\20-150-000\_Bojangles (C) 15-1.1A\_MR\06-CD's-20-129-000-15-1.1A\_MR\A03-1 EXTERIOR ELEVATIONS.dwg, Plotted: Dec 29, 2020 - 4:00pm



5 EIFS COLOR LEGEND BEHIND THE SIGNAGE  
SCALE: 1/2"=1'-0"

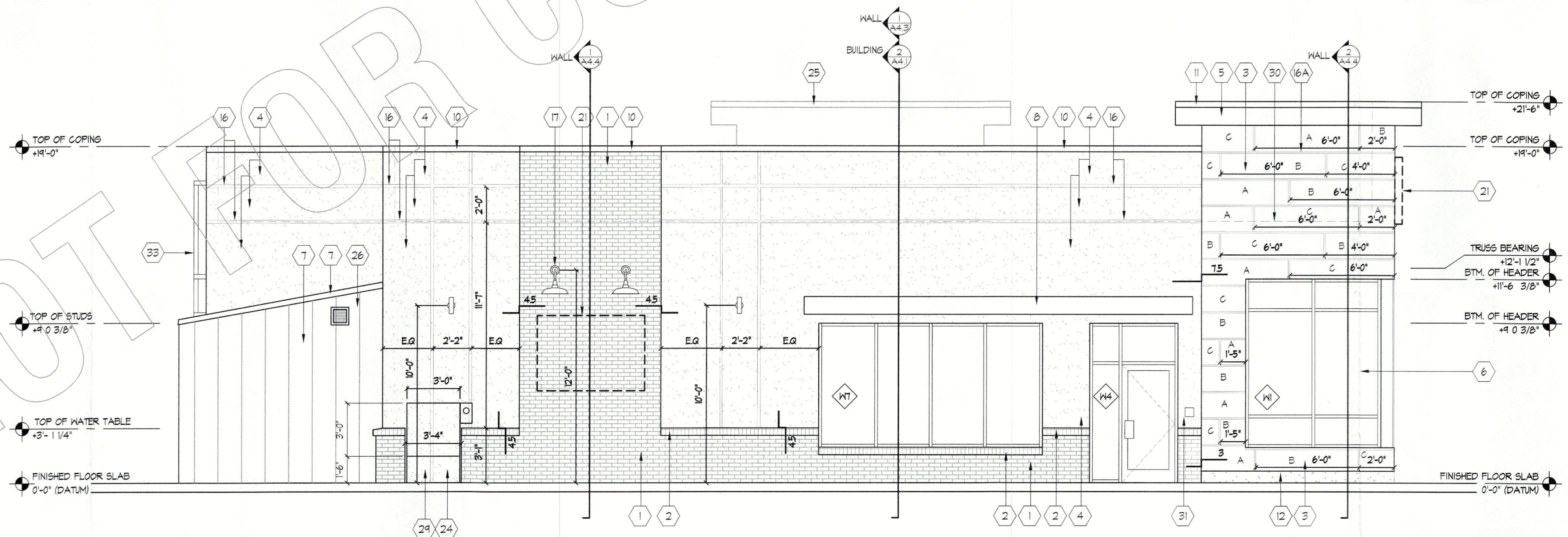


4 GUARDRAIL ELEVATION  
SCALE: 1/2"=1'-0"

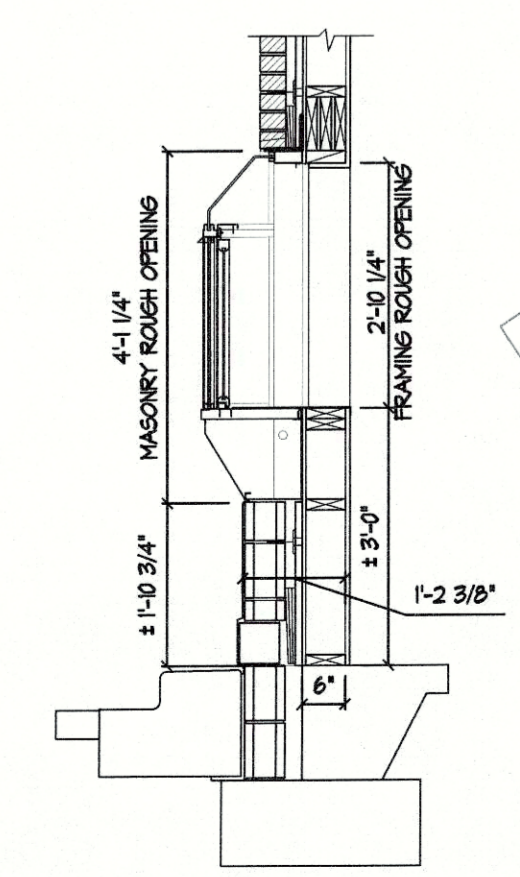


2 LEFT SIDE ELEVATION  
SCALE: 1/4"=1'-0"

\*REFER TO SHEET A-3.2 FOR EXTERIOR MATERIAL SCHEDULE



1 RIGHT SIDE ELEVATION  
SCALE: 1/4"=1'-0"



3 MOUNTING DETAIL  
SCALE: 1/2"=1'-0"

NOTE: ALL SIGNAGE/GRAPHICS ARE TO BE REVIEWED AND APPROVED BY LOCAL ZONING AUTHORITIES, PRIOR TO INSTALLATION

NOTE: REFER TO SHEET A-3.2 FOR EXTERIOR MATERIAL FINISH SCHEDULE

THE ARCHITECT/ENGINEER DOES NOT DEFINE THE SCOPE OF INDIVIDUAL TRADES, SUBCONTRACTORS, MATERIAL SUPPLIERS, OR VENDORS. ANY SHEET NUMBERING SYSTEM USED WHICH IDENTIFIES DISCIPLINES IS SOLELY TO SEPARATE ARCHITECT'S AND ENGINEER'S SCOPE. IT DOES NOT DEFINE A SUBCONTRACTOR'S SCOPE OF WORK. ANY DISCREPANCIES BETWEEN DRAWINGS, SPECIFICATIONS, CODES OR CONSTRUCTION SEQUENCING SHALL BE BROUGHT TO THE ATTENTION OF THE ARCHITECT PRIOR TO PROCEEDING. NO CONSIDERATION WILL BE GIVEN TO REQUESTS FOR CHANGE ORDERS FOR FAILURE TO OBTAIN AND REVIEW THE COMPLETE SET OF CONSTRUCTION DOCUMENTS, OR FOR FAILURE TO SEEK INTERPRETATION FROM ARCHITECT FOR DISCREPANCIES.

**ED**  
architectural interior design  
421 Penman Street, Suite 200, Charlotte, NC 28203  
Email: esc@esdarch.com • Phone: 704-373-1900

NOT FOR CONSTRUCTION

BOJANGLES' RESTAURANT  
PROTOTYPE 15-1.1A  
(MIRRORED)

NOT FOR CONSTRUCTION

ISSUE DATE: 12-23-2020  
REVISION 1: \_\_\_\_\_  
REVISION 2: \_\_\_\_\_  
REVISION 3: \_\_\_\_\_  
REVISION 4: \_\_\_\_\_  
PROJECT #: 20-150-000  
CONTENT: EXTERIOR ELEVATIONS  
PROJECT ARCHITECT: ECE  
DRAWN BY: \_\_\_\_\_

RECEIVED  
JAN 11 2021  
PLANNING & DESIGN SERVICES

Sheet  
**A-3.1**  
21 - DDP - 0003