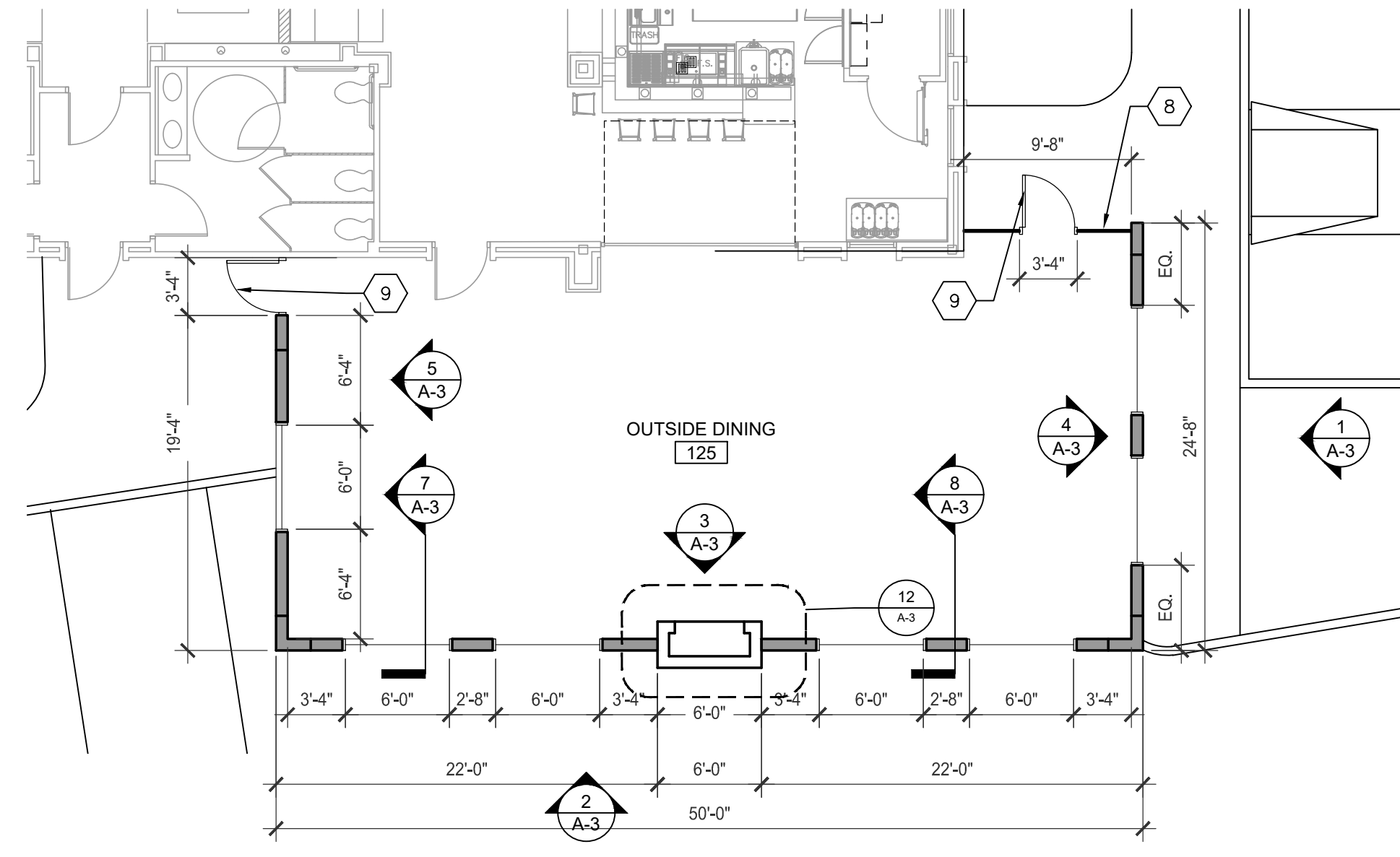
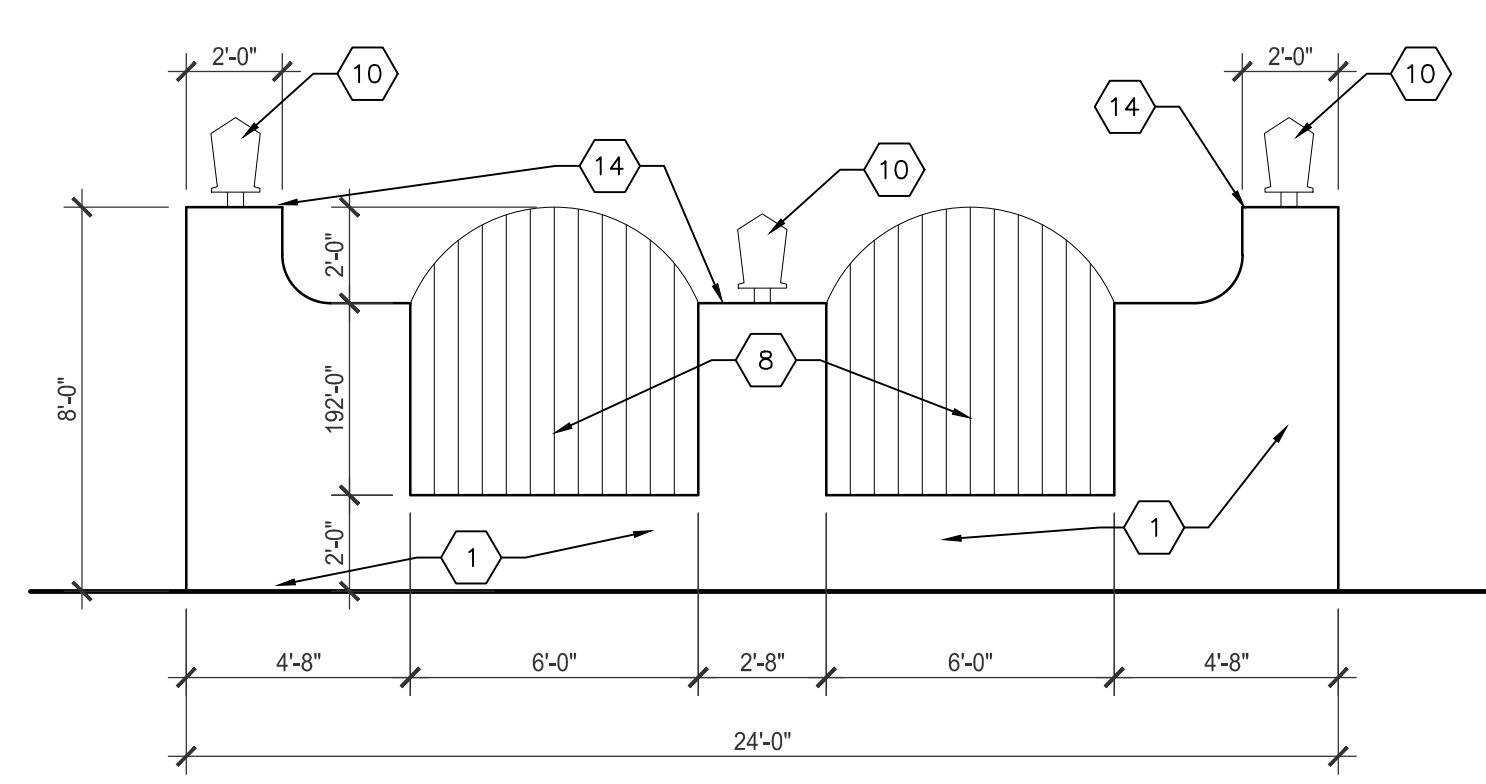


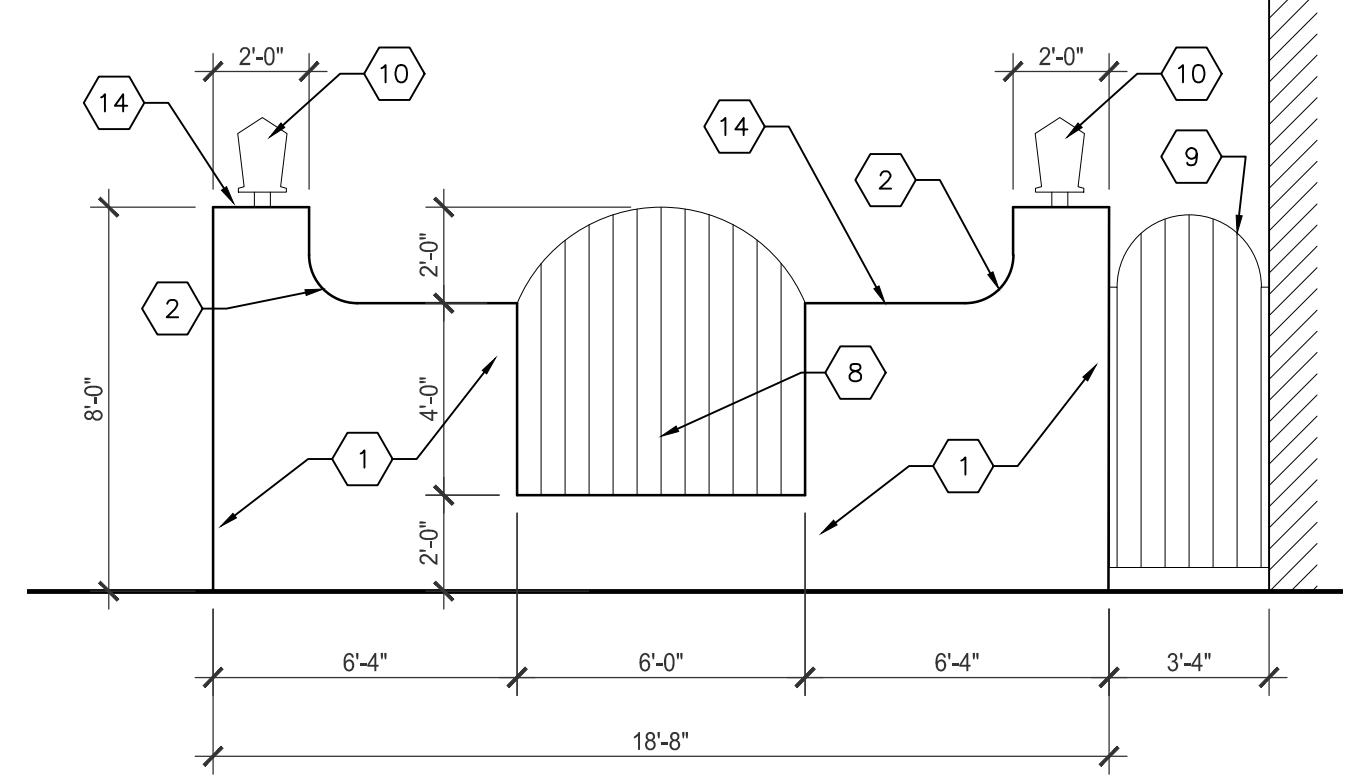
14 SECTION
OUTDOOR FIREPLACE
SCALE: 3/4" = 1'-0"



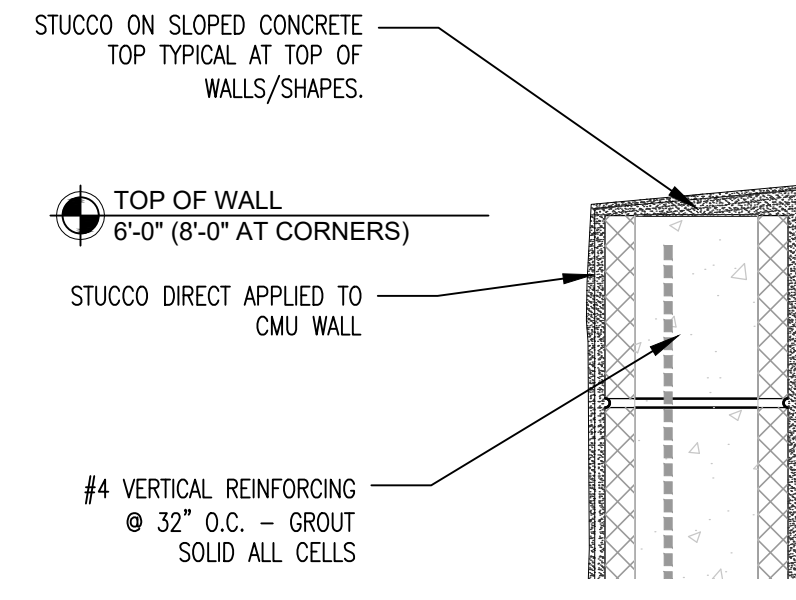
13 PATIO PLAN
OUTDOOR DINING 125
1/8" = 1'-0"



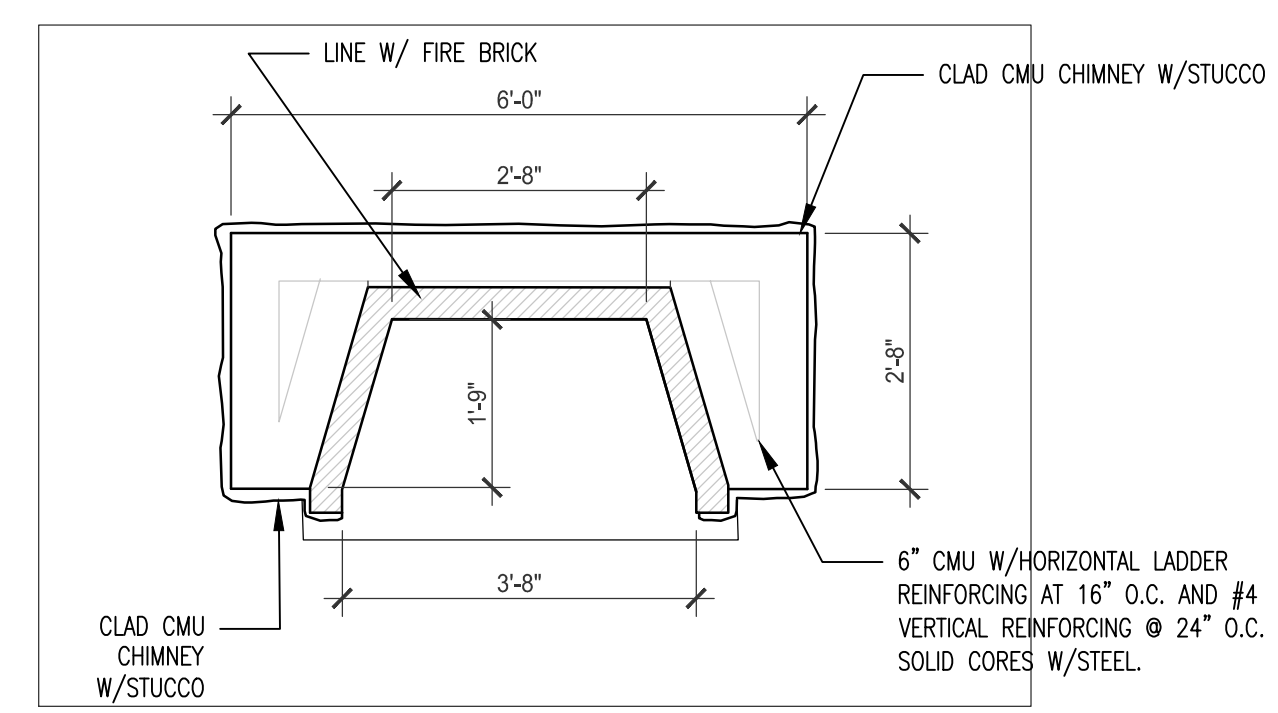
4 ELEVATION
OUTSIDE DINING 125
SCALE: 1/4" = 1'-0"



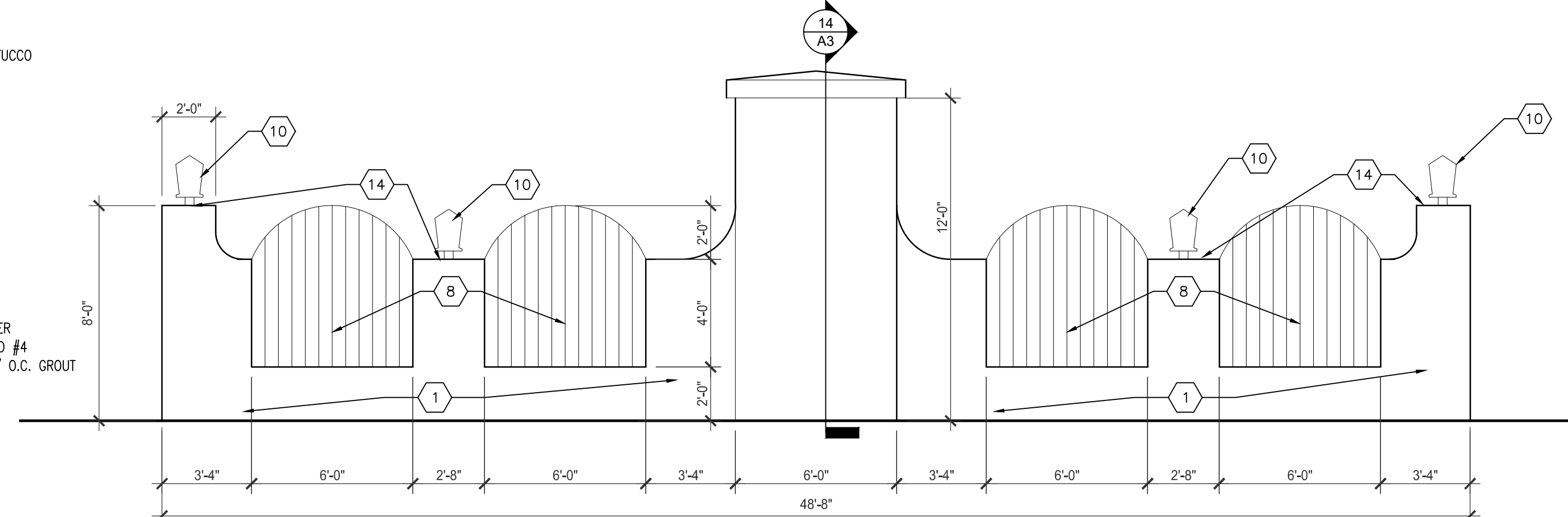
5 ELEVATION
OUTSIDE DINING 125
SCALE: 1/4" = 1'-0"



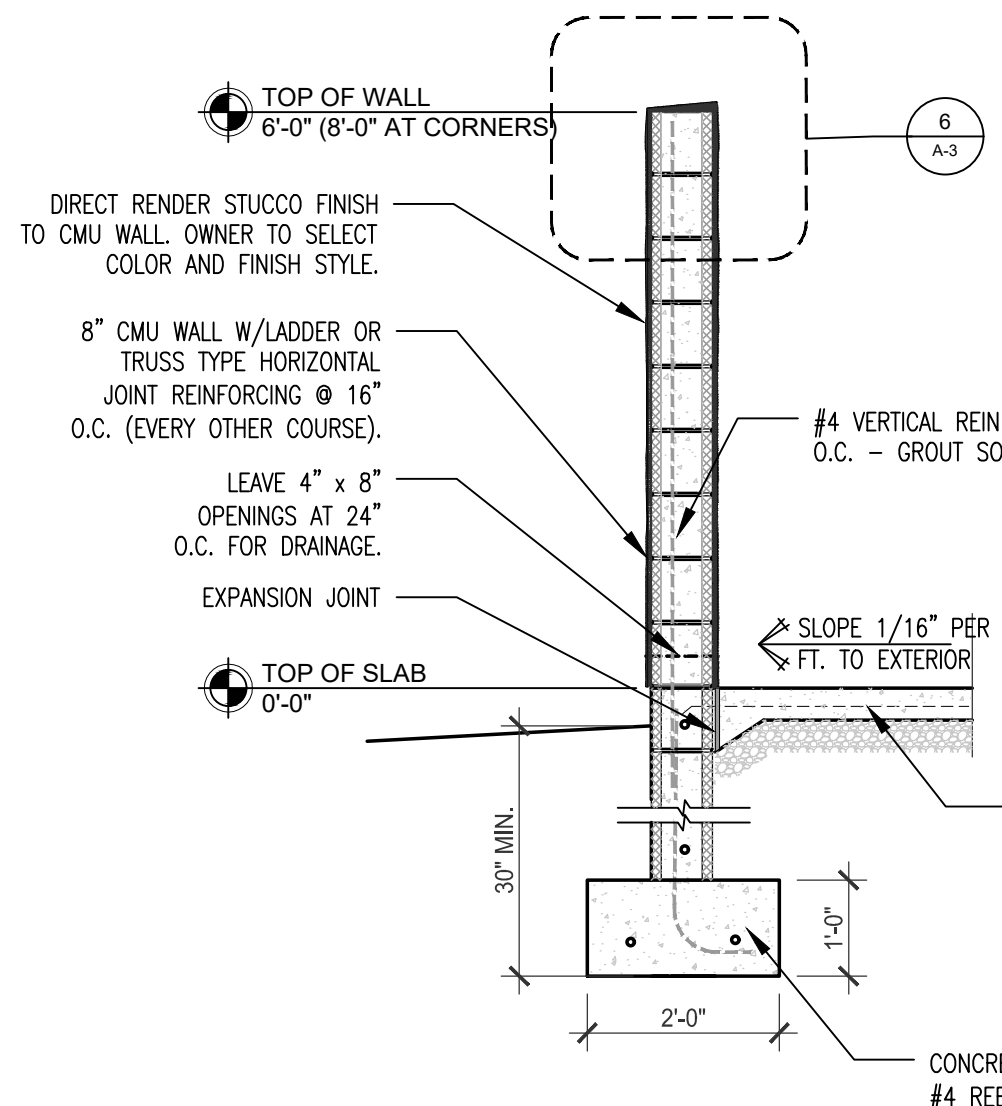
6 DETAIL
SCALE: 1 1/2" = 1'-0"



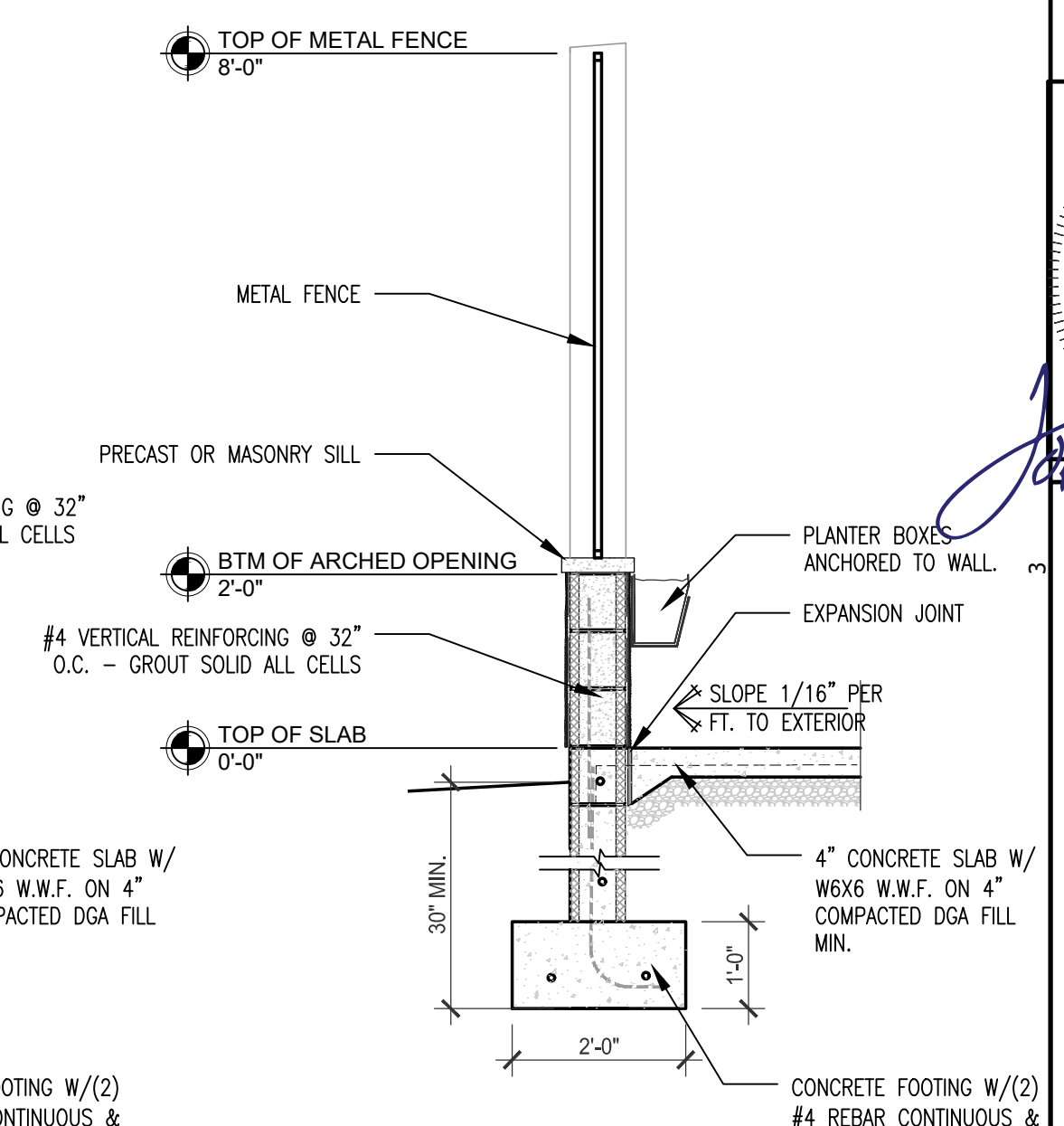
12 ENLARGED PLAN
FIREPLACE
SCALE: 1/2" = 1'-0"



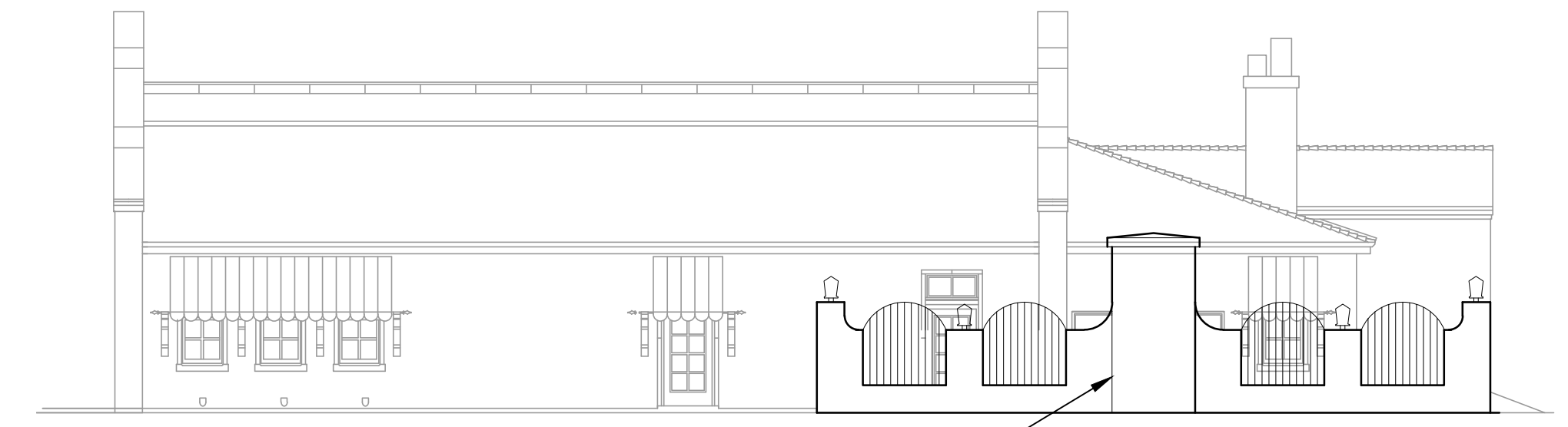
3 ELEVATION
OUTSIDE DINING 125
SCALE: 1/4" = 1'-0"



8 WALL SECTION
SCALE: 1/2" = 1'-0"



7 WALL SECTION
SCALE: 1/2" = 1'-0"

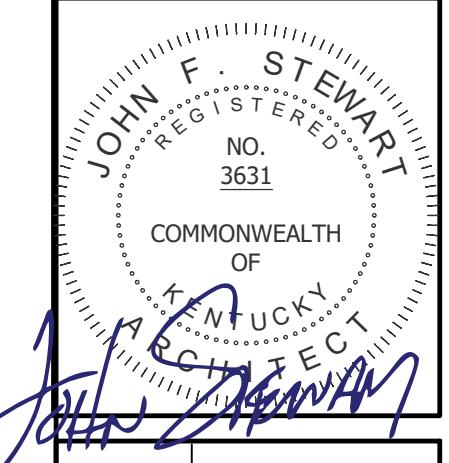


2 NORTH ELEVATION
SCALE: 3/32" = 1'-0"



1 WEST ELEVATION
SCALE: 3/32" = 1'-0"

- KEYED NOTES:**
- 8" CMU WALL WITH STUCCO FINISH. PROVIDE 8" STANDARD CMU WITH FLUSH JOINTS. DIRECT RENDER STUCCO FINISH TO CMU.
 - ARCHED/CURVED SHAPES, P.T. SUB FRAME WITH CONCRETE BOARD, PREP TO FINISH WITH STUCCO.
 - NOT USED
 - WINDOW SILL / PLANTER BOX
 - NEW OUTDOOR MASONRY FRAMED FIRE PLACE
 - REMOVE EXISTING SIGN, PATCH REPAIR EXPOSED SURFACE
 - NEW SCULPTURAL ELEMENT - SEE DETAILS IN SCULPTURE BID PACKAGE
 - PREFINISHED METAL FENCE, ANODIZED ALUM OR PAINTED STEEL.
 - PREFINISHED METAL GATE, ANODIZED ALUM OR PAINTED STEEL.
 - LIGHT FIXTURE
 - REPLACE EXISTING AWNING
 - REMOVE EXISTING WINDOWS WALL AS REQUIRED TO INSTALL NEW OVERHEAD DOOR WITH GLASS LITES
 - INFILL EXISTING WINDOW OPENING - MATCH EXISTING
 - STUCCO FORMED CAP. SLOPE TOP FOR WATER DRAINAGE.
 - INFILL SPACE ABOVE FIREPLACE MANTLE WITH MEAL STUDS FROM TOP OF BRICK TO BOTTOM OF BEAMS AND FINISH WITH 1/2" DRYWALL



ENCOMPASS
DESIGN • CONSTRUCT
DEVELOP

106 E. Jefferson Street
La Grange, KY 40031
(office) 502.992.5105
(fax) 502.992.5101

DINING PATIO RENOVATIONS
GUSTAVO'S MEXICAN GRILL
401 S. HURSTBOURNE PKWY
LOUISVILLE, KY 40222

THIS DRAWING IS THE PROPERTY OF ENCOMPASS. THE USE OF THIS DOCUMENT IS RESTRICTED TO CLIENTS AND VENDORS OF ENCOMPASS, WHICH RESERVES ALL CONTROLLING RIGHTS HERETO. NO OTHER USE, REPRODUCTION OR TRANSMISSION OF THIS DOCUMENT MAY BE MADE EXCEPT WITH THE WRITTEN CONSENT OF ENCOMPASS-DC.

JOB NO.	11535-497
DB:	GMH/JSG/TD
CB:	JFS
DATE:	03/19/21
STATUS:	BIDDING DOCS

SHEET NO:
A-3

REVISION