

Louisville Metro Council City Agency Request
Neighborhood Development Fund (NDF)
■ Capital Infrastructure Fund (CIF)
Municipal Aid Program (MAP)
Paving Fund (PAV)


Primary Sponsor: Councilwoman Angela Leet

Amount: \$28,348.⁰⁰ Date: 7/12/18

Description of program/project including public purpose, additional funding sources, location of project/program and any external grantee(s):
Purchasing new trash cans for Cox's Park

City Agency: Metro Parks
Contact Person: Jason Canuel
Agency Phone: 574-6086

I have reviewed this request for an expenditure of city tax dollars, and have determined the funds will be used for a public purpose and have the attached documentation from the receiving department concerning the project/expenditure.

7 District #  Council Member Signature \$28,348.⁰⁰ Amount 7/12/18 Date

Approved by: _____
Appropriations Committee Chairman Date

Clerk's Office & OMB Use Only:

Request Amount: _____ Amended Amount: _____

Reference #: _____ To OMB: _____

Budget Revision #: _____

Account #: _____

To Project Manager: _____ Completion Date: _____

Actual Cost: _____ Funds Returned: _____

NDF, CIF, MAP OR PAV INTERAGENCY CHECKLIST

Interagency Name: Metro Parks	
Program/Project Name: New Trash Cans	
	Yes/No/NA
Request Form: Is the Request Signed by all Council Member(s) Appropriating Funding?	--- YES
Request Form: If matching funds are to be used, are they disclosed with account numbers in the request form description?	--- N/A
Request Form: If matching funds are to be used, does the amount of the request exclude the matching fund amount?	--- N/A
Request Form: If other funds are to be used for this project, are they disclosed with account numbers in the request form description?	--- N/A
Funding Source: If CIF is being requested, does Metro Louisville own/will own the real estate, building or equipment? If not, the funding source is probably NDF.	--- YES
Funding Source: If CIF is being requested, does the project have a useful life of more than one year? If not, the funding source is probably NDF.	--- YES
Ordinance Required: Is the NDF request to a Metro Agency greater than \$5,000? If so, an ordinance is required.	--- N/A
Ordinance Required: Is the request a transfer from NDF to cost center? If so, is the amount given for the fiscal year \$25,000 or less?	--- N/A
Supporting Documentation: Does the attachment include a valid estimate and description of cost?	--- YES

Submitted by: Eutliman

Date: 7/12/18

Hinson, Erin

From: Canuel, Jason T
Sent: Tuesday, June 19, 2018 6:24 PM
To: Hinson, Erin
Subject: RE: Cox Park trash cans
Attachments: SKMBT_C45418061918260.pdf

Categories: NDF/ CIF Requests

Erin,
I reviewed the existing trash can locations (a total of 19) to see if they are arranged where they should be. Our Operations guys came back with revising the existing locations to come up with a total of 15 total needed.

Breakdown of the cost:
13 trash cans @ \$1,816 (mounted to existing concrete sidewalks) = \$23,608
2 trash cans @ \$2,370.40 (with new concrete pad) = \$4,740.80
Grand total = \$28,348.80

Please let me know if this is what you had in mind and call me with any questions.

Jason T. Canuel
Assistant Director
Louisville Parks and Recreation
PO Box 37280
Louisville, Kentucky 40233
502/574.6086 (office)
502/439.7694 (cell)
jason.canuel@louisvilleky.gov



From: Hinson, Erin
Sent: Wednesday, June 13, 2018 11:35 AM
To: Canuel, Jason T
Subject: RE: Cox Park trash cans

Yes, I believe that that's her intention.

From: Canuel, Jason T
Sent: Wednesday, June 13, 2018 11:34 AM
To: Hinson, Erin
Subject: RE: Cox Park trash cans

Are you wanting all of them replaced?

Jason T. Canuel
Assistant Director

Louisville Parks and Recreation

PO Box 37280

Louisville, Kentucky 40233

502/574.6086 (office)

502/439.7694 (cell)

jason.canuel@louisvilleky.gov



From: Hinson, Erin
Sent: Wednesday, June 13, 2018 11:32 AM
To: Canuel, Jason T
Subject: RE: Cox Park trash cans

Do you know how many you will need?

From: Canuel, Jason T
Sent: Wednesday, June 13, 2018 11:15 AM
To: Hinson, Erin
Subject: FW: Cox Park trash cans

Attached is a proposal for the trash cans and what they look like. Depending on where we place them, they will either need to be bolted down to existing concrete or we need to provide a small precast concrete pad for them to be bolted to.

Jason T. Canuel
Assistant Director
Louisville Parks and Recreation
PO Box 37280
Louisville, Kentucky 40233
502/574.6086 (office)
502/439.7694 (cell)
jason.canuel@louisvilleky.gov



From: Carroll Swartz [mailto:rspavers@bellsouth.net]
Sent: Wednesday, June 13, 2018 9:10 AM
To: Canuel, Jason T
Subject: Re: Cox Park trash cans

JASON, Please look over quote and call with questions or comments

Thanks

Donnie Manford, II Estimator

Riverside Paving & Contracting Co., Inc.
263 Eiler Ave.

Louisville, Kentucky 40214
Phone: (502)-368-4484
Fax: (502)-361-4873
Cell: (502) 817-4371
Email: rspavers@bellsouth.net

"For Official use Only-Privacy Sensitive-Any misuse or unauthorized disclosure may result in both civil and criminal penalties." You, the recipient, are obligated to maintain it in a safe, secure and confidential manner. Redisclosure without additional consent or as permitted by law is prohibited. Unauthorized redisclosure or failure to maintain confidentiality subjects you to application of appropriate sanctions. If you have received this correspondence in error, please notify the sender and destroy any copies you have made.

On Tuesday, June 12, 2018 5:40 PM, "Canuel, Jason T" <Jason.Canuel@louisvilleky.gov> wrote:

Looking for a price for a trash can with a liner for Cox Park.

Option #1 is to mount it to an existing concrete pad.
Option #2 is to mount it to a precast concrete pad.

Jason T. Canuel
Assistant Director
Louisville Parks and Recreation
PO Box 37280
Louisville, Kentucky 40233

502/574.6086 (office)
502/439.7694 (cell)
jason.canuel@louisvilleky.gov

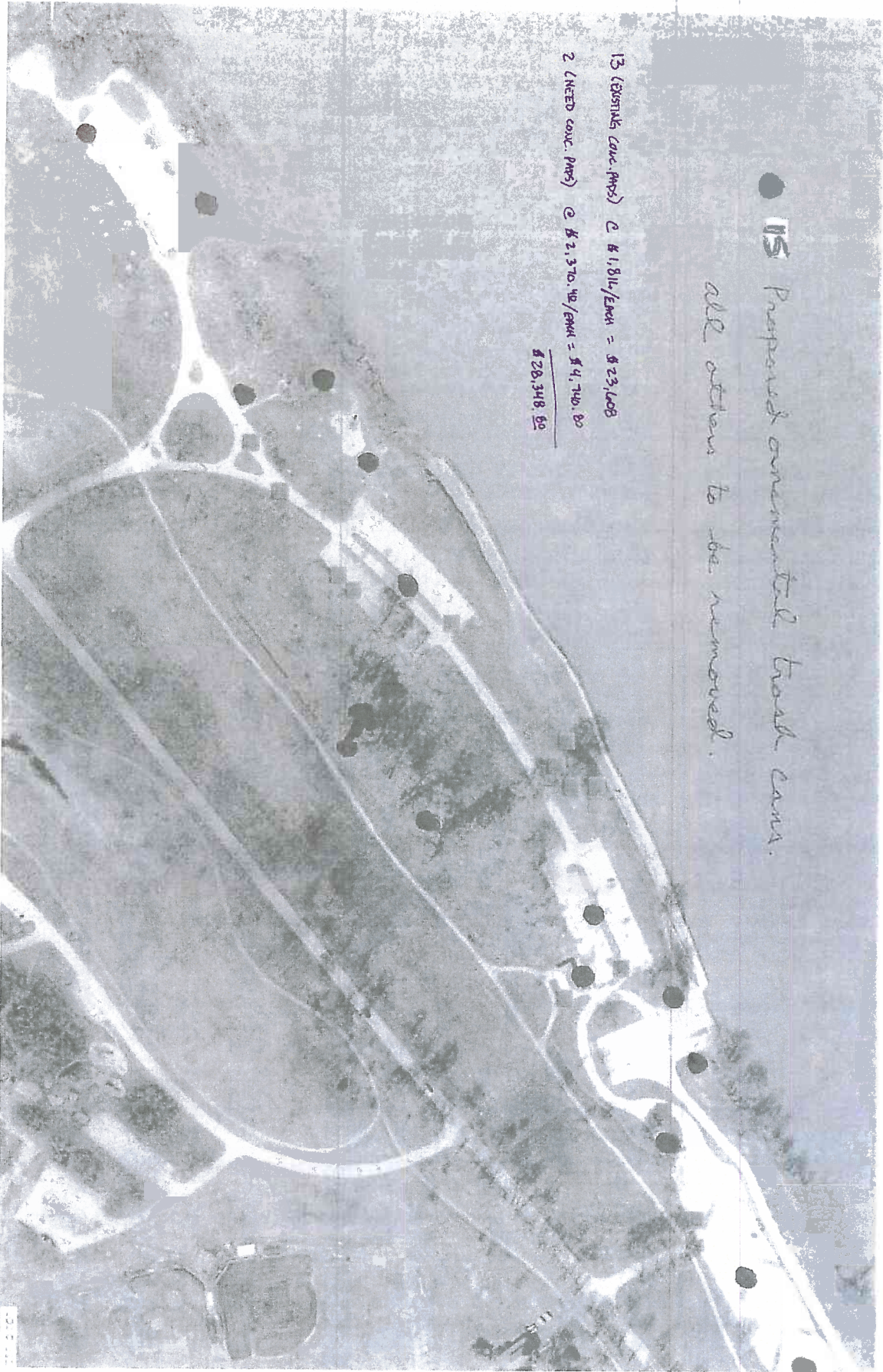


The information contained in this communication from the sender is confidential. It is intended solely for use by the recipient and others authorized to receive it. If you are not the recipient, you are hereby notified that any disclosure, copying, distribution or taking action in relation of the contents of this information is strictly prohibited and may be unlawful.

Carrie Gaulbert Cox Park

115 Proposed ornamental trash cans.
all others to be removed.

13 (EXISTING CONC. PANS) @ \$1,811/each = \$23,603
2 (NEED CONC. PANS) @ \$2,370.40/each = \$4,740.80
\$28,343.80



Proposal & Contract

P
A

I
N
G

RIVERSIDE and Contracting Company, Inc.

P.O. BOX 36386 • LOUISVILLE, KENTUCKY 40233 • 368-4484

JASON CANUEL

PROPOSAL SUBMITTED TO METRO PARKS	PHONE/FAX 458-8113 / 456-8116	DATE June 12, 2018
STREET P.O. BOX 37280	JOB NAME GARBAGE PADS	
CITY, STATE AND ZIP CODE LOUISVILLE, KY. 40233	JOB LOCATION COX PARK @VARIOUS LOCATIONS	

We propose to furnish all equipment, labor and materials necessary to perform the following scope of work:

GARBAGE PADS: COX PARK:

OPTION #1. CAN MOUNTED TO EXISTING CONCRETE PAD = \$ 1,816 PER EACH

OPTION #2. CAN & PRECAST CONCRETE 3 X 3 PAD INSTALLED = \$ 2,370.40 EACH

Riverside Paving & Contracting Co., Inc. agrees to provide and furnish the necessary materials, equipment and labor, in the manner described above, and to perform such work in a workmanlike manner and as expeditiously as working schedule and weather permit. Out work is guaranteed for one year against workmanship and materials. Payment is due and payable upon completion of the work, unless otherwise herein provided:

TERMS: NET PER CONTRACT IN PLACE AGREEMENT PER PARKS OR METRO LOU P.O. #

Customer hereby agrees to make payment of the contract price and any additions that may be made thereto upon completion of the work by Riverside Paving & Contracting Co., Inc. unless otherwise specifically provided for at the time of the execution of this contract. **INTEREST AT THE RATE OF 1-1/2 % PER MONTH**, which is an annual rate of 18%, shall be added to the contract price when payment in full shall not have been made within the 10th of the following month after completion of the work. In the event legal action must be taken, because of non-payment, the customer hereby agrees to pay all court costs and reasonable attorney fees, to **Riverside Paving & Contracting Co., Inc.**, where are incurred incident to the recovery of said sum. **Riverside Paving & Contracting Co., Inc.** cannot guarantee against "reflective cracking" on overlays or resurfacing projects. Existing cracks cannot be guaranteed not to reappear at a later date, after overlaying or resurfacing. **Riverside Paving & Contracting Co., Inc.** must have 1" of fall per 10'-0" to achieve proper drainage on any project. The contractor and/or owner must accept responsibility if the grade is not equal to or better than that stated above.

Acceptance of Proposal

It is agreed that the contract price for the above work to be performed by Riverside Paving & Contracting Co., Inc. is _____

This proposal shall become a contract, binding upon both parties, upon the signing of the same by the parties hereto.

Signed Riverside Paving & Contracting Co., Inc.

Signed _____
Customer

By DONNIE MANFORD, II ESTIMATOR __

Date _____

Date June 13, 2018 _____



P.O. Box 1700 • Hendersonville, NC 28793 • Tel: (800) 633-8241 • (828) 693-8241
Fax: (828) 693-8777 • www.leisurecraftinc.com • sales@leisurecraftinc.com

SPEC SHEET: RF32D

32 GALLON DIAMOND RECEPTACLE *portable*

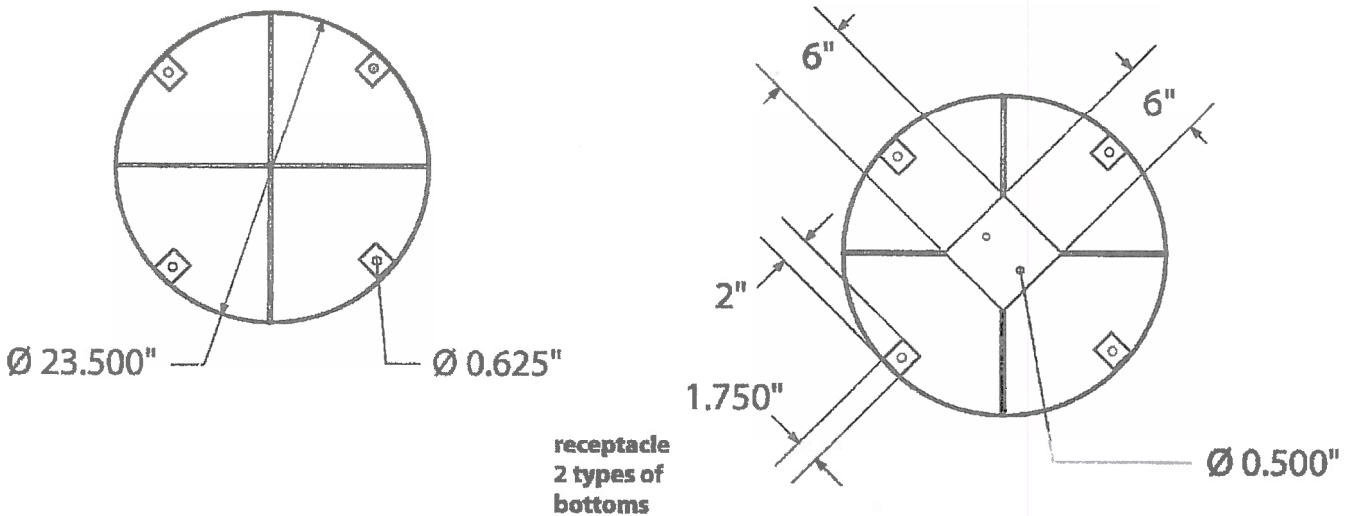
Wt. 80 lbs

photo

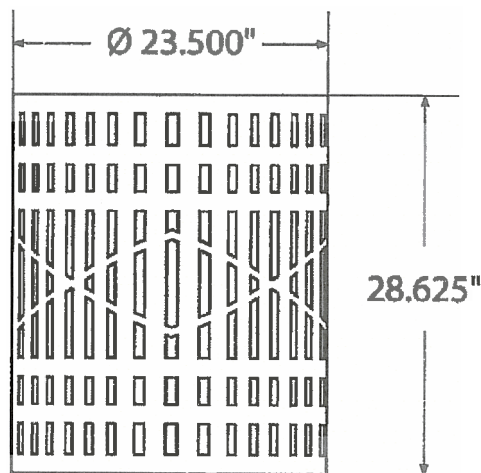
APPROVED



bottom / top view



front view



product details



Coated Surfaces:

- Thermoplastic coated
- Copolymer-based, environmentally safe
- Does not fade, crack, peel or warp
- Applied at a thickness of 25-30 mils.
- 5 Year warranty on coating

Construction:

- 11 Gauge steel

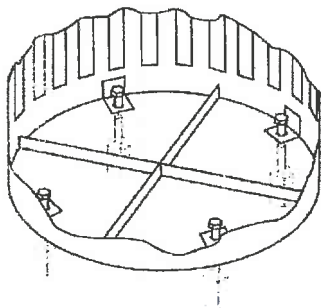
mounting types

P = Portable : no mount

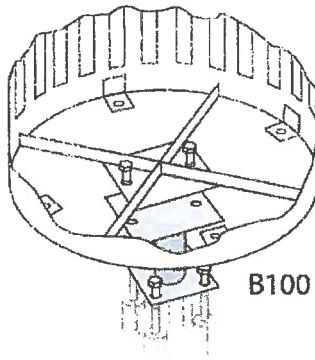
SM 1= Surface Mount1:
concrete anchors
through taps welded
to receptacle bottom
mount

SM 2= Surface Mount2:
bolts through bottom plate into B100
surface mount. B100 Mounted to
ground with anchors embedded
in concrete.

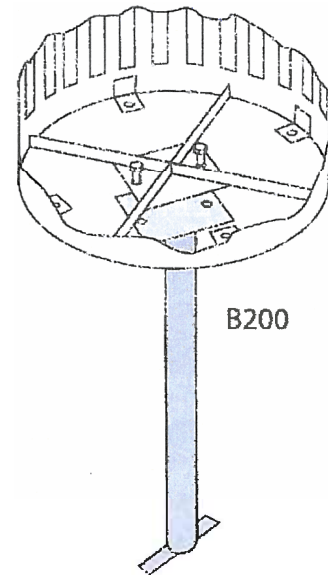
IG= In-Ground:
anchor bolts attach
to B200 receptacle
mount



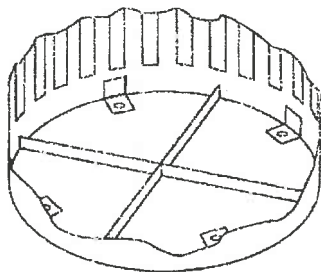
SURFACE MOUNT (1)



SURFACE MOUNT (2)



IN-GROUND



PORTABLE

All design specifics subject to change. For all products Leisure Craft reserves the right to make adjustments due to changing market conditions, product discontinuation, legislative requirements or other extenuating circumstances. © 2009 Leisure Craft, Inc.





P.O. Box 1700 • Hendersonville, NC 28793 • Tel: (800) 633-8241 • (828) 693-8241
Fax: (828) 693-8777 • www.leisurecraftinc.com • sales@leisurecraftinc.com

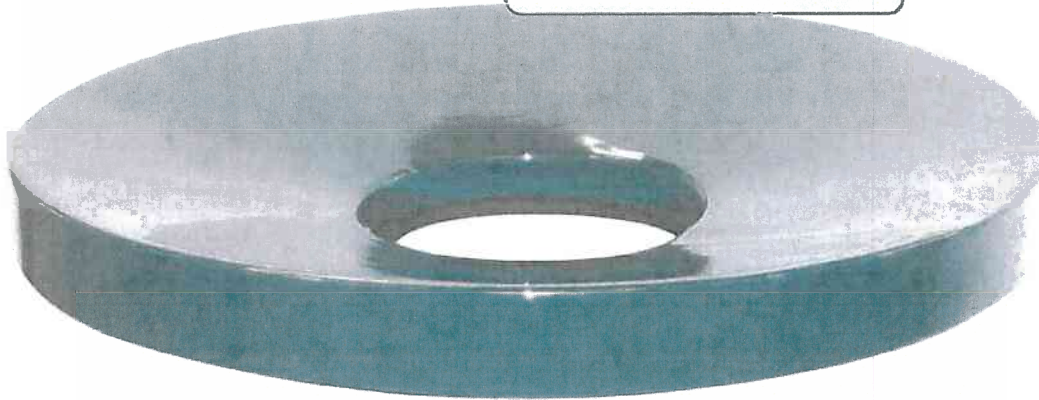
SPEC SHEET: 32SML

CONCAVE SPUN METAL LID

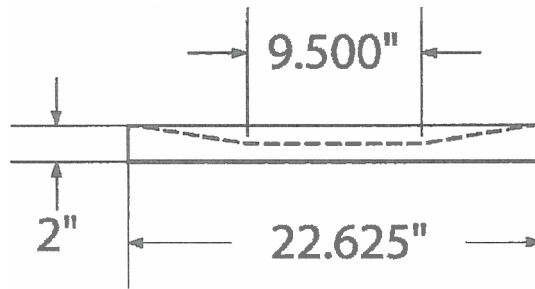
Wt. 20 lbs

photo

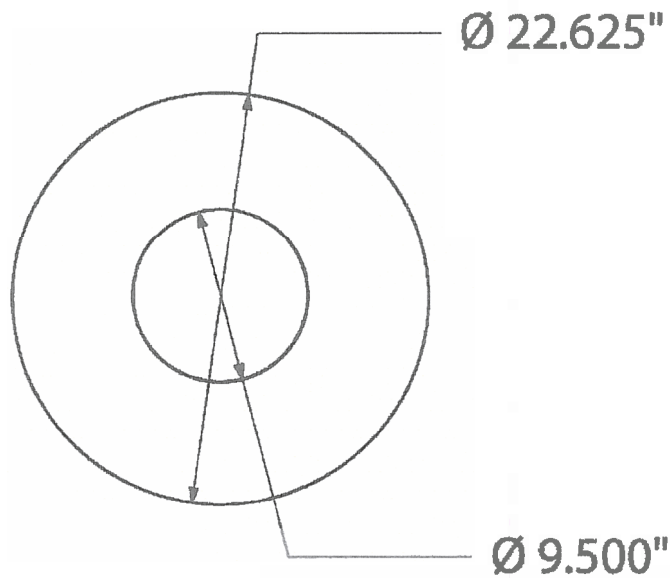
APPROVED



bottom / top view



front view



product details



Coated Surfaces:

- Thermoplastic coated
- Copolymer-based, environmentally safe
- Does not fade, crack, peel warp
- Applied at a thickness of 25-30 mils.
- 5 Year warranty on coating

Construction:

- 20 gauge steel

All design specifics subject to change. For all products Leisure Craft reserves the right to make adjustments due to changing market conditions, product discontinuation, legislative requirements or other circumstances. © 2009 Leisure Craft, Inc.





P.O. Box 1700 • Hendersonville, NC 28793 • Tel: (800) 633-8241 • (828) 693-8241
Fax: (828) 693-8777 • www.leisurecraftinc.com • sales@leisurecraftinc.com

SPEC SHEET: R32L

32 GALLON RECEPTACLE LINER

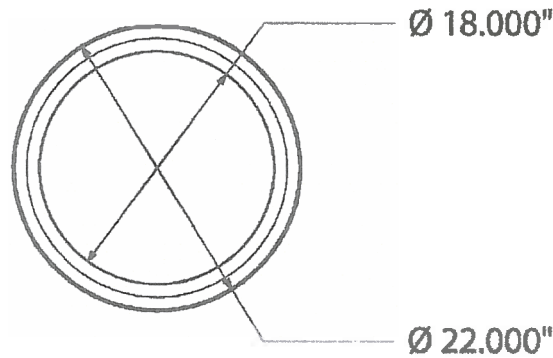
Wt. 8 lbs

photo

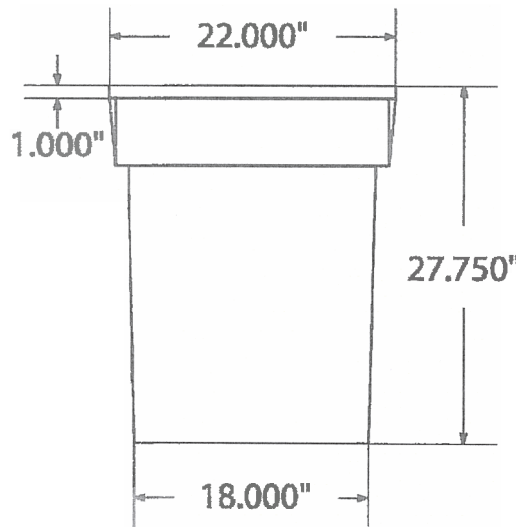
APPROVED



bottom / top view



front view



product finish



Liner is made from black polyethylene plastic.

All design specifics subject to change. For all products Leisure Craft reserves the right to make adjustments due to changing market conditions, product discontinuation, legislative requirements or other circumstances. © 2009 Leisure Craft, Inc.



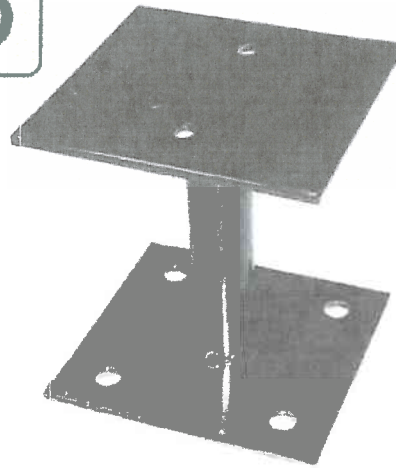
SPEC SHEET: B100

RECEPTACLE MOUNT

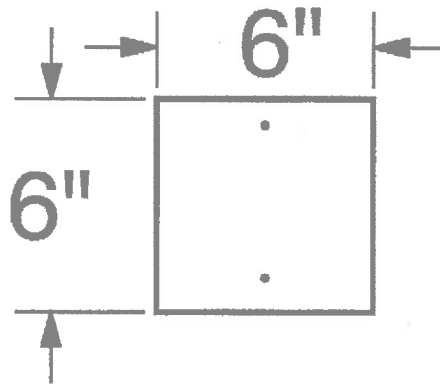
Wt. 6 lbs

photo

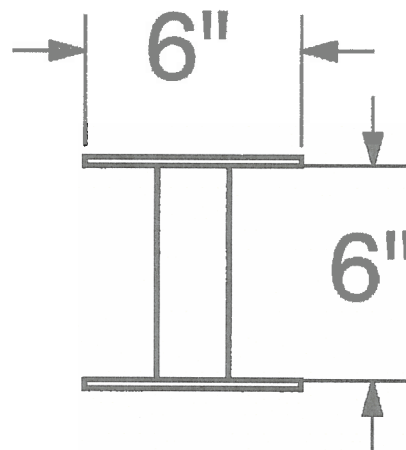
APPROVED



bottom / top view



front view



product finish



Finish in powder coated steel

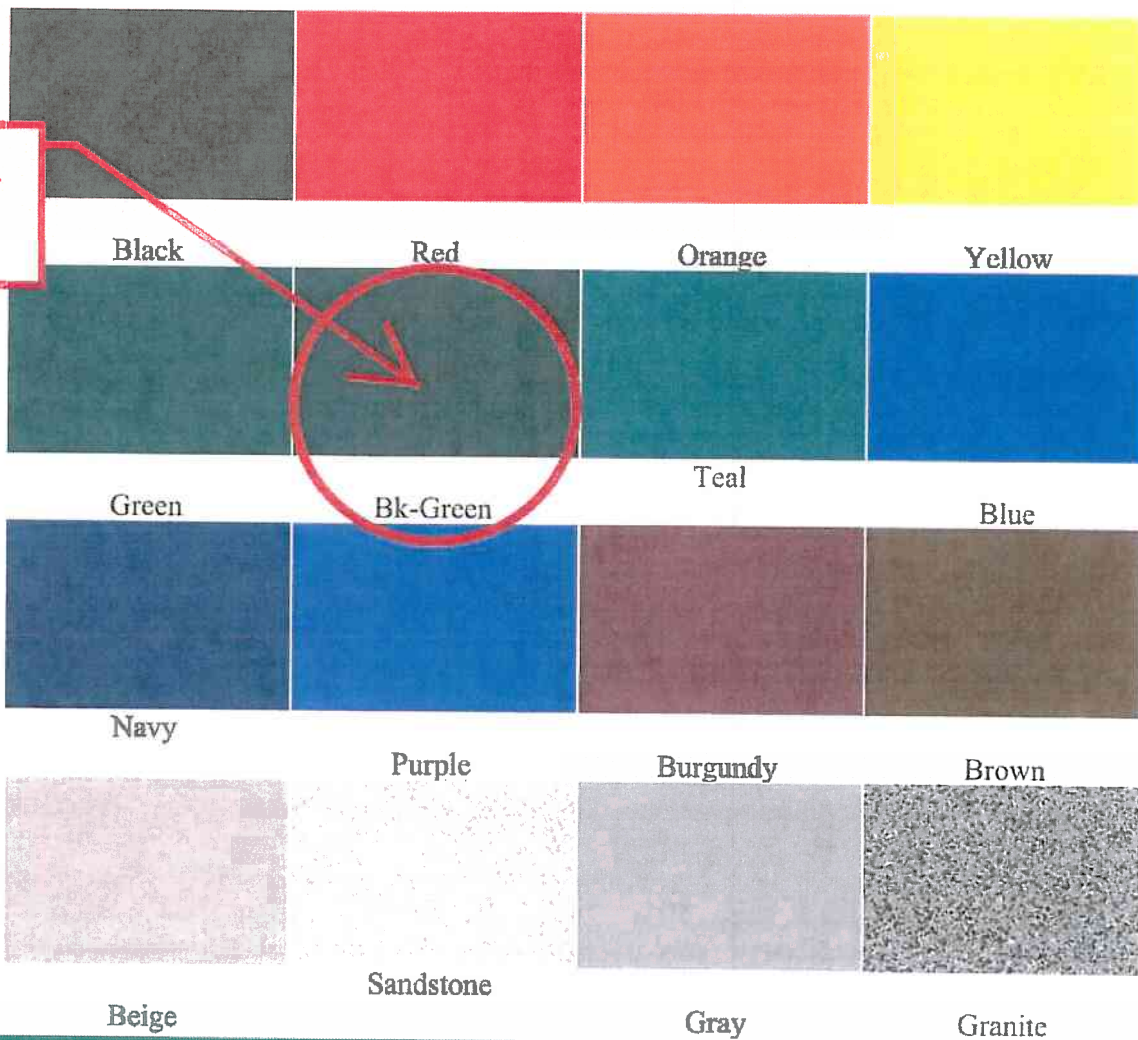
All design specifics subject to change. For all products Leisure Craft reserves the right to make adjustments due to changing market conditions, product discontinuation, legislative requirements or other circumstances. © 2009 Leisure Craft, Inc.





We have 16 different colors for you to choose from, so that you can match our products to a wide variety of color schemes. *Our newest color is Teal.*

Note 1 - Use Black-Green for the Trash Receptacles



© 2017 Leisure Craft Inc. All Rights Reserved

Hinson, Erin

From: Stenberg, Beth
Sent: Thursday, July 12, 2018 10:26 AM
To: Cotton, Thomas D; Tipton, Benjamin K.
Cc: Hinson, Erin; Bell, LaTonya J.; Haag, Steve
Subject: ordinance please

Please prepare an ordinance to transfer \$100,000 from D7 NDF to D7 CIF. Councilwoman Leet is the sponsor.

Thank you,

Beth