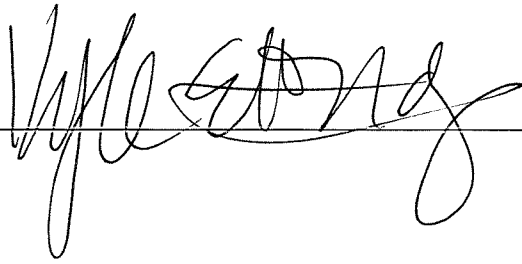


NDF, CIF, MAP OR PAV INTERAGENCY CHECKLIST

Interagency Name: Brightside	
Program/Project Name: Replace two benches at Frankfort/Franck&Hite and repair bus stop concrete	
	Yes/No/NA
Request Form: Is the Request Signed by all Council Member(s) Appropriating Funding?	Yes
Request Form: If matching funds are to be used, are they disclosed with account numbers in the request form description?	NA
Request Form: If matching funds are to be used, does the amount of the request exclude the matching fund amount?	NA
Request Form: If other funds are to be used for this project, are they disclosed with account numbers in the request form description?	NA
Funding Source: If CIF is being requested, does Metro Louisville own/will own the real estate, building or equipment? If not, the funding source is probably NDF.	Yes
Funding Source: If CIF is being requested, does the project have a useful life of more than one year? If not, the funding source is probably NDF.	Yes
Ordinance Required: Is the NDF request to a Metro Agency greater than \$5,000? If so, an ordinance is required.	No
Ordinance Required: Is the request a transfer from NDF to cost center? If so, is the amount given for the fiscal year \$25,000 or less?	No
Supporting Documentation: Does the attachment include a valid estimate and description of cost?	Yes

Submitted by: _____



Date: _____

09/18/18

Victor Stanley Inc.
P.O. Drawer 330
Dunkirk, MD 20754
Ph 301-855-8300



Jeff Miller 866-662-9944
Jeff@Streetscapeltd.com

Quotation

DATE	Quote NO.
9/18/2018	43275

Billing Address
Louisville Metro Public Works Bright Side Louisville, KY 40202 John Backert 502.574.393 John.backert@louisvilleky.gov

Shipping Address
40218

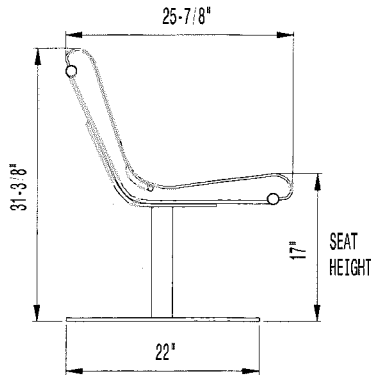
P.O. NO.	TERMS	DATE	REP	FOB	Project Name		
Quote	Net 30	9/18/2018	JM	Factory	City		
ITEM	DESCRIPTION				QTY	Unit Price	TOTAL
NRB-6	Victor Stanley "Steelsites" 4 Foot Steel Contoured Bench. Surface Mount. Weight 195 lbs Each. Standard Color.				2	836.00	1,672.00
Freight	Estimated Freight					260.00	260.00

Note: Quotations are for estimating purposes only and are subject to factory verification and confirmation. If shipping common carrier, customer is responsible for unloading. Victor Stanley Inc. manufactures all products to order and reserves the right to charge a 20% cancellation fee if order is canceled once in production.

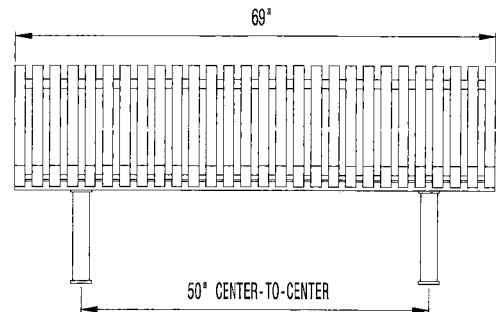
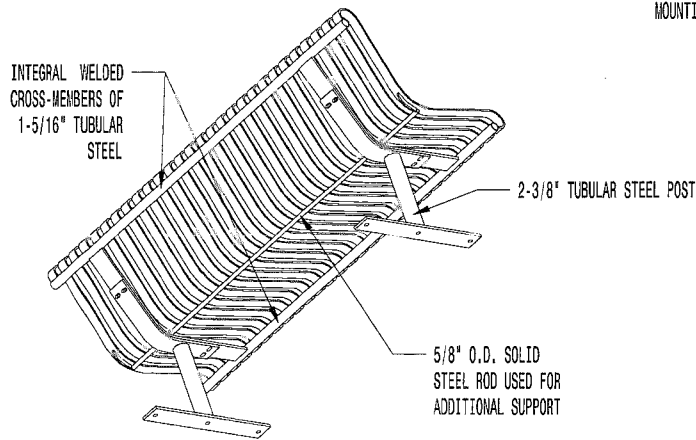
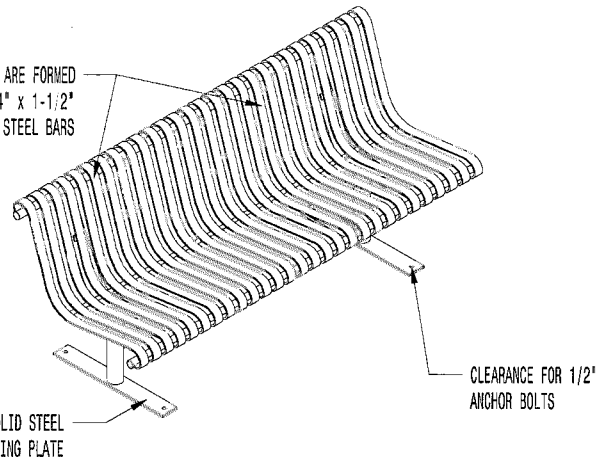
TOTAL \$1,932.00

SIGNATURE

* ALL DIMENSIONS ARE IN INCHES *



(28) STEEL SLATS ARE FORMED FROM 1/4" x 1-1/2" SOLID STEEL BARS



AVAILABLE OPTIONS:

POWDER COATING

12 STANDARD COLORS, CUSTOM COLORS (INCLUDING THE RAL RANGE)

INTERMEDIATE ARMRESTS

4', 6', & 8' AVAILABLE WITH OPTIONAL ARMRESTS

LENGTHS

STANDARD 4'

STANDARD 6' LENGTH SHOWN

STANDARD 8'

MOUNTING

STANDARD IN-GROUND AND SURFACE

AVAILABLE WITH OPTIONAL GULL-WING AND WALL

NOTES:

1. DRAWINGS NOT TO SCALE. DO NOT SCALE DRAWINGS.
2. ALL FABRICATED METAL COMPONENTS ARE STEEL SHOTBLASTED, ETCHED, PHOSPHATIZED, PREHEATED, AND ELECTROSTATICALLY POWDER-COATED WITH T.G.I.C. POLYESTER POWDER COATINGS. PRODUCTS ARE FULLY CLEANED AND PRETREATED, PREHEATED AND COATED WHILE HOT TO FILL CREVICES AND BUILD COATING FILM. COATED PARTS ARE THEN FULLY CURED TO COATING MANUFACTURER'S SPECIFICATIONS. THE THICKNESS OF THE RESULTING FINISH AVERAGES 8-10 MILS (200-250 MICRONS).
3. IT IS NOT RECOMMENDED TO LOCATE ANCHOR BOLTS UNTIL BENCH IS IN PLACE. THIS VICTOR STANLEY, INC. PRODUCT MUST BE PERMANENTLY AFFIXED TO THE GROUND. CONSULT YOUR LOCAL CODES FOR REGULATIONS.
4. ANCHOR BOLTS NOT PROVIDED BY VICTOR STANLEY, INC.
5. FOR HIGH SALT ABUSIVE CLIMATES, HOT DIP GALVANIZING BEFORE POWDER COATING IS AVAILABLE. SEE WRITTEN SPECIFICATIONS FOR DETAILS.
6. ALL SPECIFICATIONS ARE SUBJECT TO CHANGE. CONTACT MANUFACTURER FOR DETAILS.
7. THIS PRODUCT IS SHIPPED PARTIALLY UNASSEMBLED.



NRB-6

STEELITES™ SERIES

STANDARD STEEL SLAT BENCH
 SHOWN: STANDARD 6-FOOT LENGTH
 STANDARD SURFACE MOUNT



DIVERSIFIED CONSTRUCTION SERVICES, INC.

P.O.BOX 19349
LOUISVILLE, KY, 40259

Client: METRO / BUS STOP
Property: FRANKFORT & FRANCK
LOUISVILLE, KY 40206

Home: (502) 269-8797

Operator: STEVEDCS

Estimator: WAYNE HILL
Business: P.O.BOX 19349
LOUISVILLE, KY 40259

Business: (502) 762-0703
E-mail: dcsiky@att.net

Reference:
Company: JOHN BACKERT

Cellular: (502) 269-8797

Type of Estimate: REMODEL,REPAIR, OR UPGRADES

Date Entered: 10/14/2016

Date Assigned:

Price List: KYLO8X_JUL18

Labor Efficiency: Restoration/Service/Remodel

Estimate: DCS-6928



DIVERSIFIED CONSTRUCTION SERVICES, INC.

P.O.BOX 19349
LOUISVILLE, KY, 40259

DCS-6928

Franck Ave.

DESCRIPTION	QTY	UNIT PRICE	TOTAL
1. Masonry Repair	1.00 EA @	385.00 =	385.00



DIVERSIFIED CONSTRUCTION SERVICES, INC.

P.O. BOX 19349
LOUISVILLE, KY, 40259

Summary

Line Item Total	385.00
Overhead	38.50
Profit	38.50
Replacement Cost Value	\$462.00
Net Claim	\$462.00

WAYNE HILL