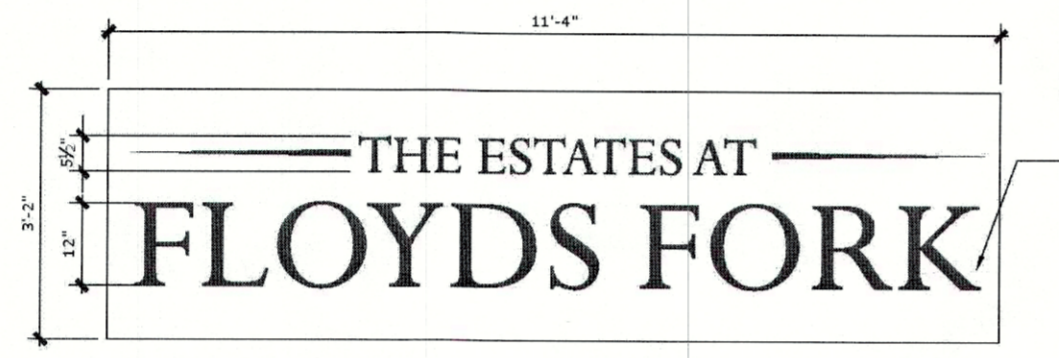
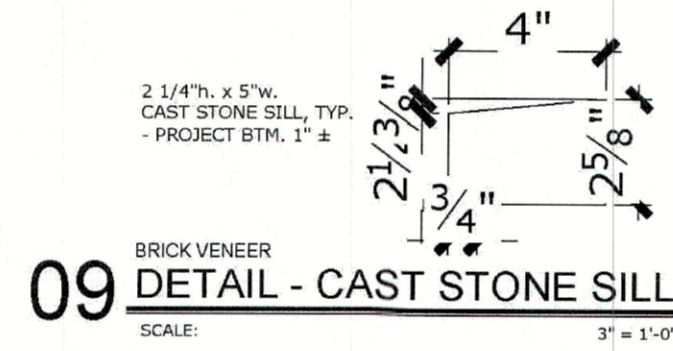


PLOT DATE: 3/27/2018 3:14 PM

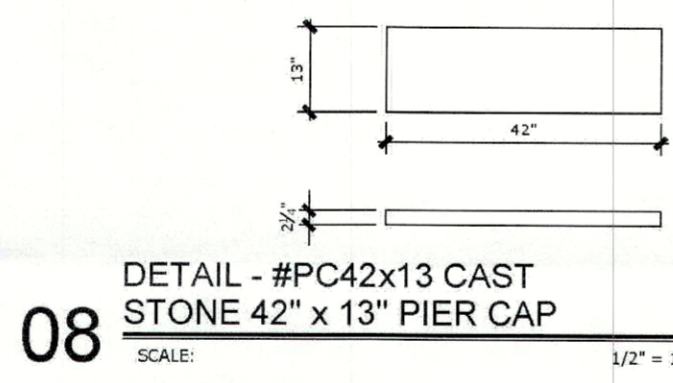
REASON FOR PLOT: FOR CONSTRUCTION



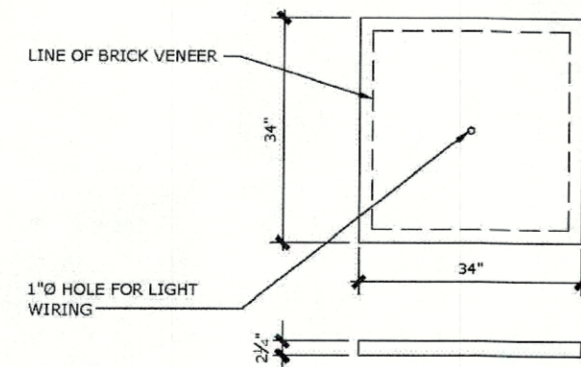
10 SIGN DETAILS
SCALE: 1/2" = 1'-0"



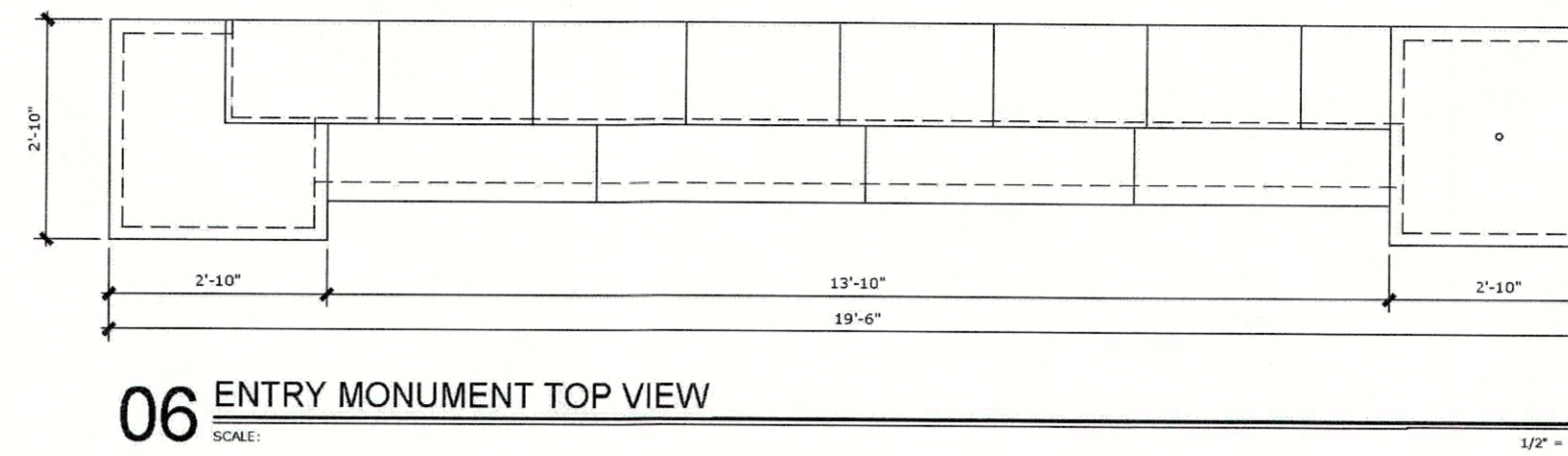
09 BRICK VENEER
DETAIL - CAST STONE SILL
SCALE: 3/4" = 1'-0"



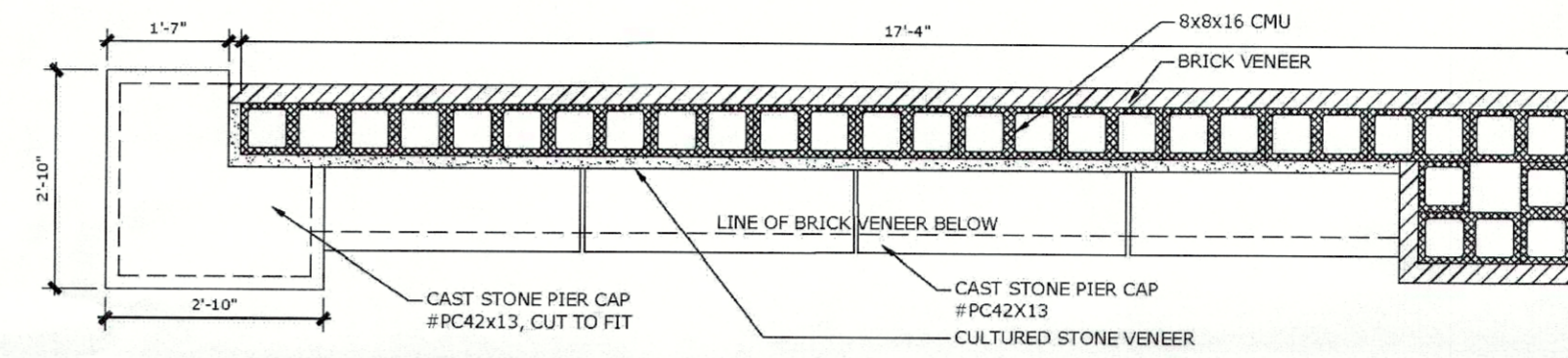
08 DETAIL - #PC42x13 CAST STONE 42" x 13" PIER CAP
SCALE: 1/2" = 1'-0"



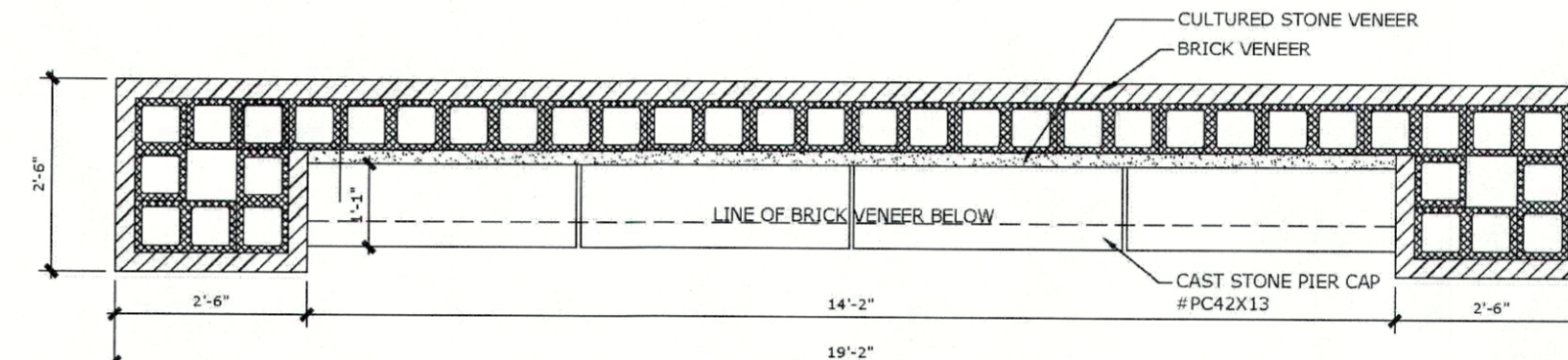
07 DETAIL - #PCF34H CAST STONE 34" x 34" PIER CAP
SCALE: 1/2" = 1'-0"



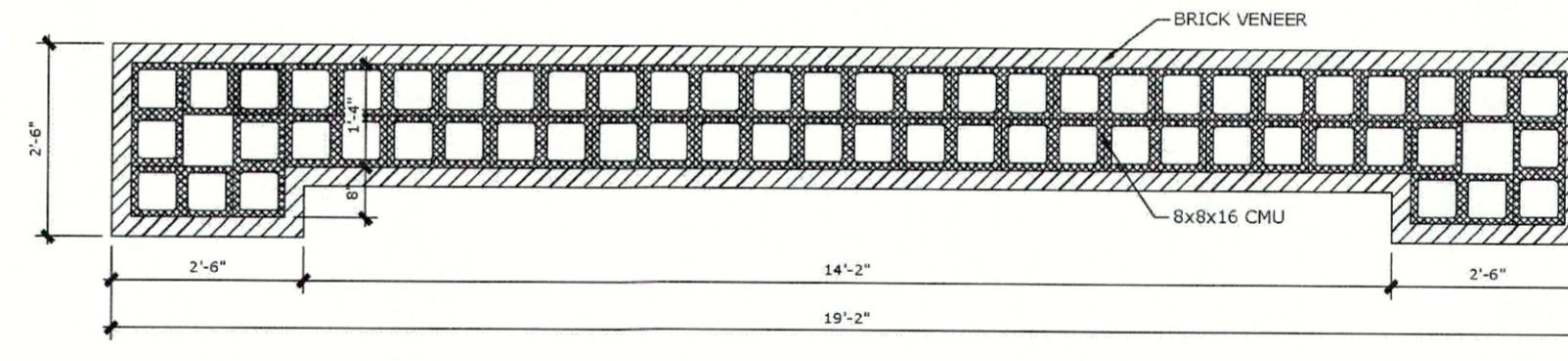
06 ENTRY MONUMENT TOP VIEW
SCALE: 1/2" = 1'-0"



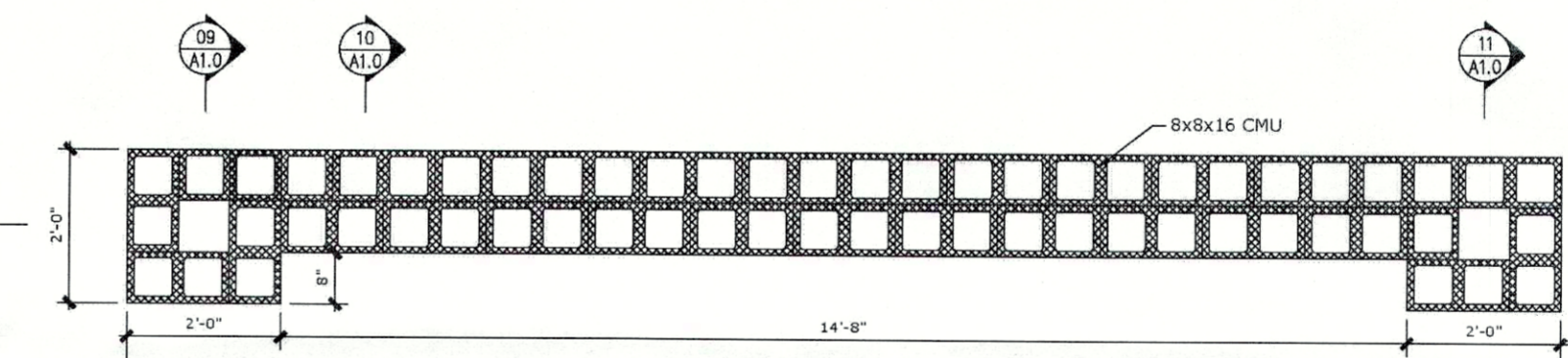
05 ENTRY MONUMENT PLAN - C.M.U. WITH BRICK & STONE VENEER - UPPER PLAN
SCALE: 1/2" = 1'-0"



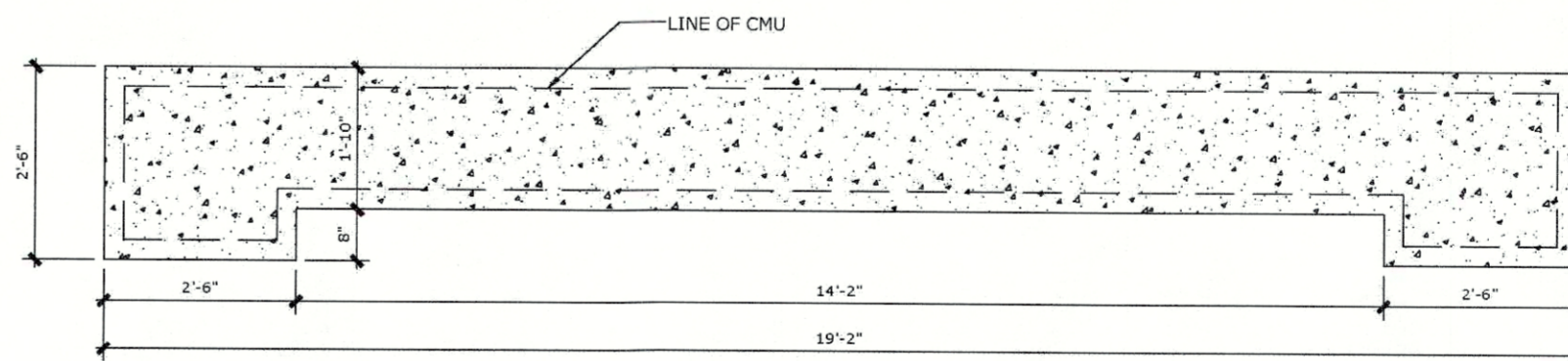
04 ENTRY MONUMENT PLAN - C.M.U. WITH BRICK & STONE VENEER - MID PLAN
SCALE: 1/2" = 1'-0"



03 ENTRY MONUMENT PLAN - C.M.U. WITH BRICK VENEER - LOWER PLAN
SCALE: 1/2" = 1'-0"

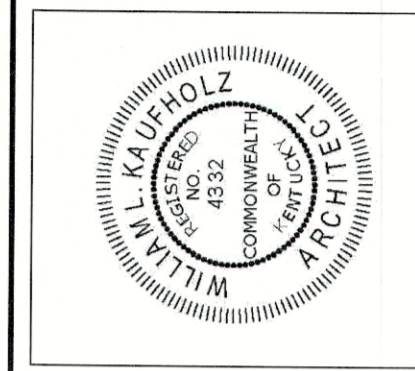


02 CMU LAYOUT
SCALE: 1/2" = 1'-0"



01 ENTRY MONUMENT FOUNDATION PLAN - C.I.P. CONCRETE
SCALE: 1/2" = 1'-0"

REV. NO. #	DATE	BY	CHKD. BY
1	03/17	JK	JK
2	03/17	JK	JK
3	03/17	JK	JK
4	03/17	JK	JK
5	03/17	JK	JK
6	03/17	JK	JK
7	03/17	JK	JK
8	03/17	JK	JK
9	03/17	JK	JK
10	03/17	JK	JK



ENTRY MONUMENT FOR:
FLOYDS FORK
LOUISVILLE, KY 40245
AIKEN ROAD



Sheet No.
A1.2
Sheet 1 of 1

Job No.
EFF-610

RECEIVED
APR 02 2018
PLANNING & DESIGN SERVICES

NOTE:
SIGNATURE ENTRANCE WALL &
DETAILS PROVIDED BY:
THE FISCHER GROUP
3940 OLYMPIC BLVD.
SUITE 100
ERLANGER, KY 41018

CASE# 18DEVPLAN1022
RELATED CASES: 17LSCAPE1054
17LSCAPE1048, 16SUBDIV1011,
15SUBDIV1015



MINDEL SCOTT
ENGINEERING & ARCHITECTURE
SURVEYING & PLANNING
LANDSCAPE ARCHITECTURE
5151 Jefferson Blvd., Louisville, KY 40219
502-485-1508
MindelScott.com

OWNER / DEVELOPER
JSAR, LLC
9707 SHELBYVILLE ROAD
LOUISVILLE, KY 40223
(502) 548-6276

SIGNATURE ENTRANCE WALL
MANOR AT FLOYDS FORK AND MEADOWS AT FLOYDS FORK (F.K.A. SUTHERLAND POINTE)
15905 AIKEN RD., LOUISVILLE, KENTUCKY 40245
TAX BLOCK 16, LOTS 100
D.B. 10724, PG. 70

Revisions

Vertical Scale: N/A
Horizontal Scale: N/A
Date: 2/22/18
Job Number: 3166
Sheet
4
of 6

PROFESSIONAL'S SEAL

18 Mod 1000