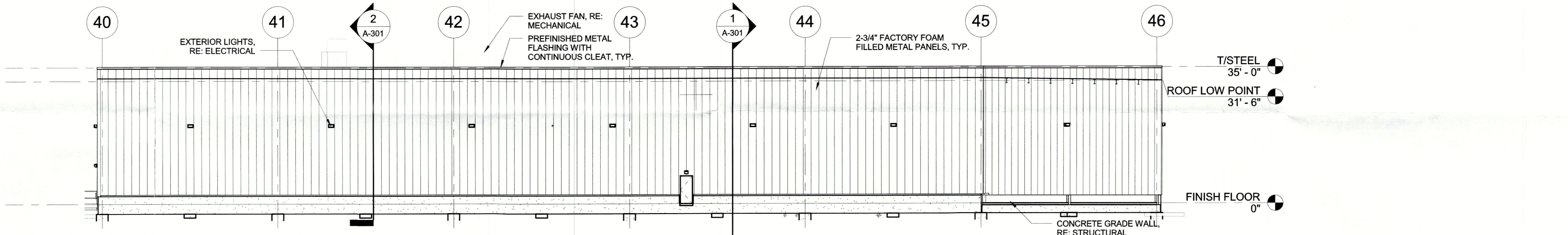
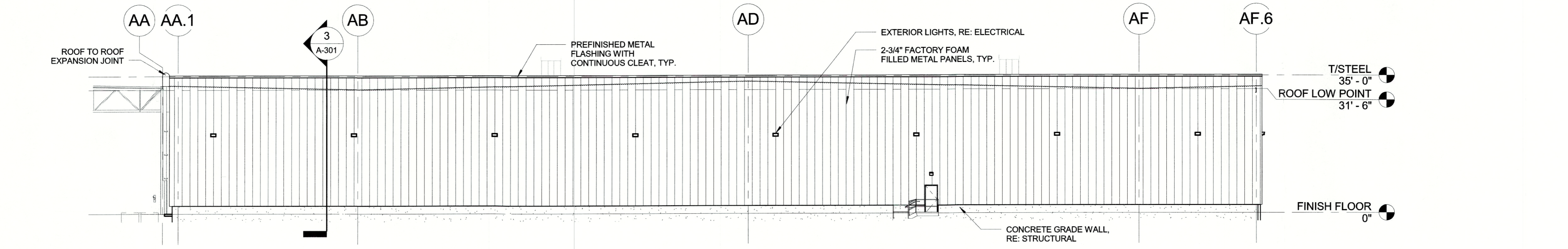


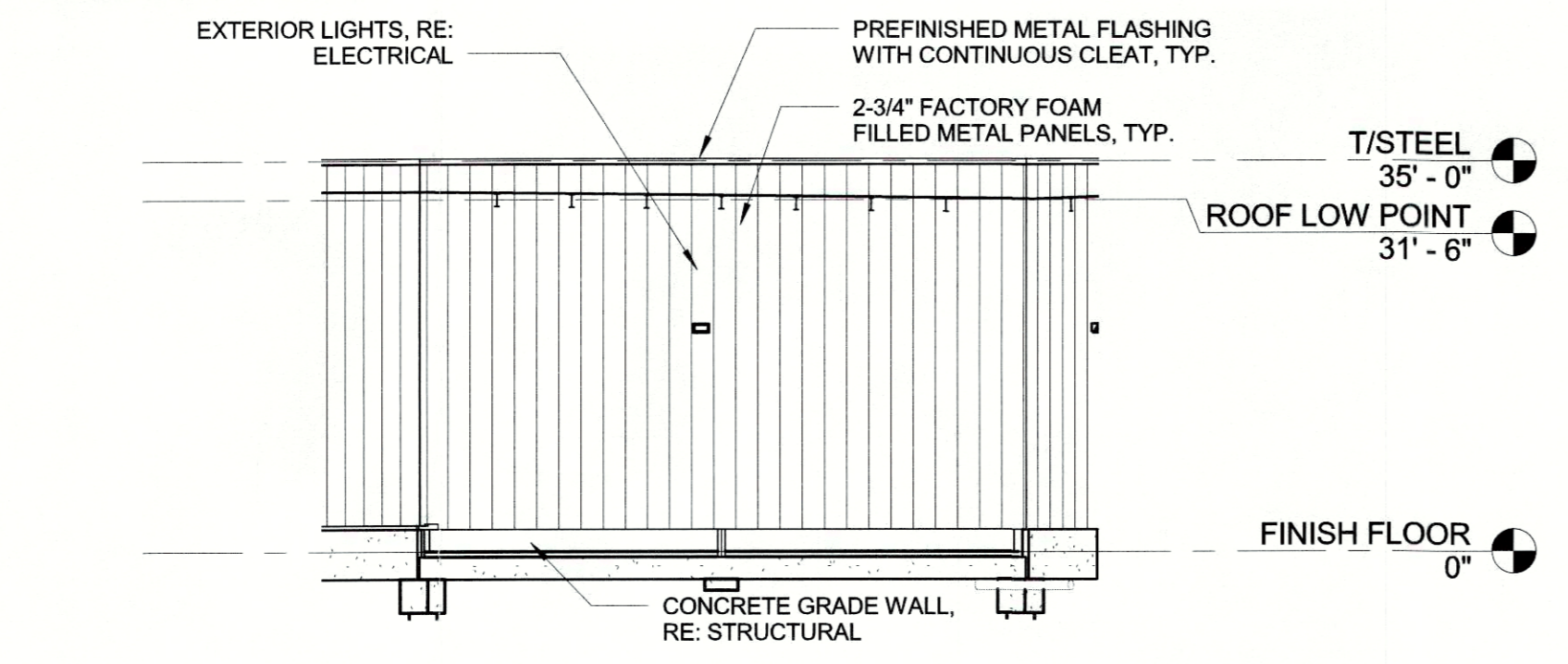
**1 WEST EXTERIOR ELEVATION**  
A-101 SCALE: 1/16" = 1'-0"



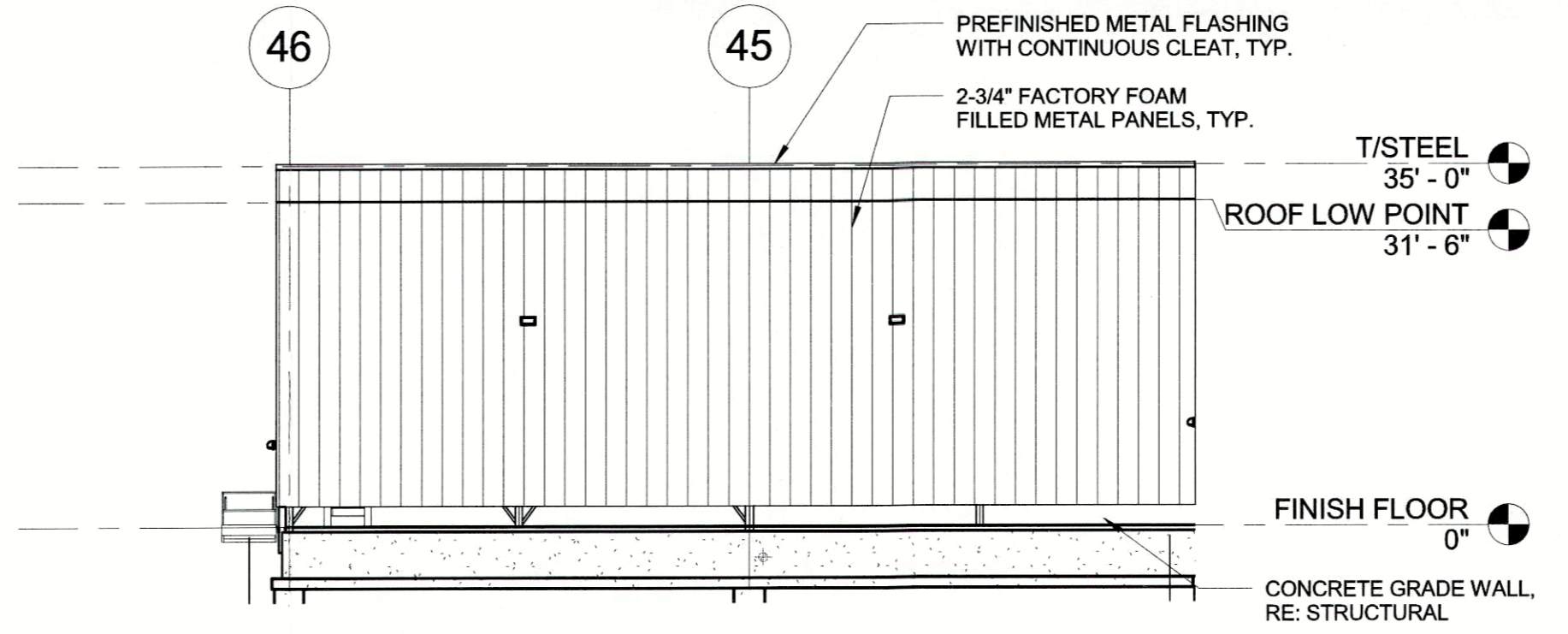
**2 NORTH EXTERIOR ELEVATION**  
A-101 SCALE: 1/16" = 1'-0"



**3 EAST EXTERIOR ELEVATION**  
A-101 SCALE: 1/16" = 1'-0"



**4 NORTH-WEST EXTERIOR ELEVATION**  
A-101 SCALE: 1/16" = 1'-0"



**5 SOUTH EXTERIOR ELEVATION**  
A-101 SCALE: 1/16" = 1'-0"

**FORD LAND**

330 TOWN CENTER DRIVE, SUITE 1100  
DEARBORN, MICHIGAN 48126-2738  
USA

**LOUISVILLE ASSEMBLY PLANT**  
2000 FERN VALLEY ROAD  
LOUISVILLE, KY 40241  
FORD LAP  
LVL SMALL LOT  
BRIDGING DOCUMENTS

LOUISVILLE    JEFFERSON    KY  
BUILDING SITE CODE:    1601  
FORD PROJECT NUMBER:    1601-001

AE OF RECORD LOGO

**smart design**  
**Luckett & Farley**

737 South Third Street, Louisville, Kentucky 40202-2100  
502-585-4181 502-587-0488 Fax www.luckett-farley.com

AE OF RECORD REGISTRATION SEAL

**BRIDGING DOCUMENTS**

**NOT FOR CONSTRUCTION**

THIS DRAWING HAS BEEN PREPARED BY OR ON BEHALF OF FORD MOTOR COMPANY. FORD MOTOR COMPANY RETAINS ALL COMMON LAW, STATUTORY AND OTHER RESERVED RIGHTS, INCLUDING COPYRIGHTS. THIS DRAWING SHALL NOT BE USED FOR ANY PURPOSE OTHER THAN PERFORMING SERVICES DIRECTLY OR INDIRECTLY TO FORD MOTOR COMPANY, WITHOUT THE EXPRESSED WRITTEN PERMISSION OF FORD MOTOR COMPANY. UNAUTHORIZED USE, COPYING OR MODIFICATION, INCLUDING THE REMOVAL OF THIS NOTE, MAY CONSTITUTE A VIOLATION OF CIVIL OR CRIMINAL LAWS ENFORCEABLE BY FORD OR GOVERNMENTAL AGENCIES.

COPYRIGHT © FORD MOTOR COMPANY (2008)

REVISIONS		
#	DESCRIPTION	DATE

**RECEIVED**  
OCT 30 2017  
PLANNING &  
DESIGN SERVICES

AE TEAM INFORMATION	
IN CHARGE:	BS/JB
DRAWN BY:	JS
DESIGNED BY:	JS
CHECKED BY:	JM
APPROVED BY:	JM
AE PROJECT NUMBER: 2017.175	
SHEET TITLE	
<b>FORD LAP LVL SMALL LOT - EXTERIOR ELEVATIONS</b>	
SHEET NUMBER	
<b>A-201</b>	