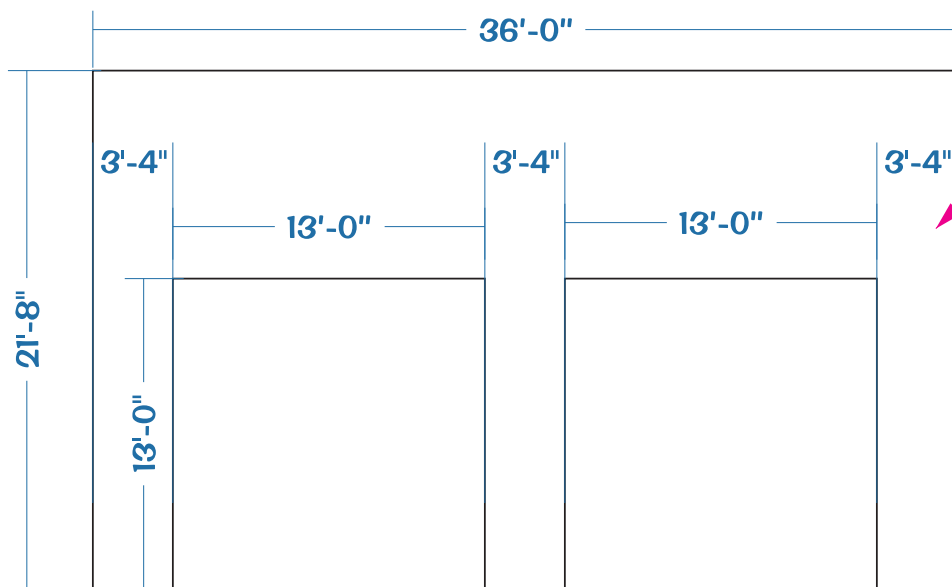




Remove Carport

60'

21'



Build Additional Garage Bays

Front Elevation

Existing Garage

1/8" = 1'



North Elevation



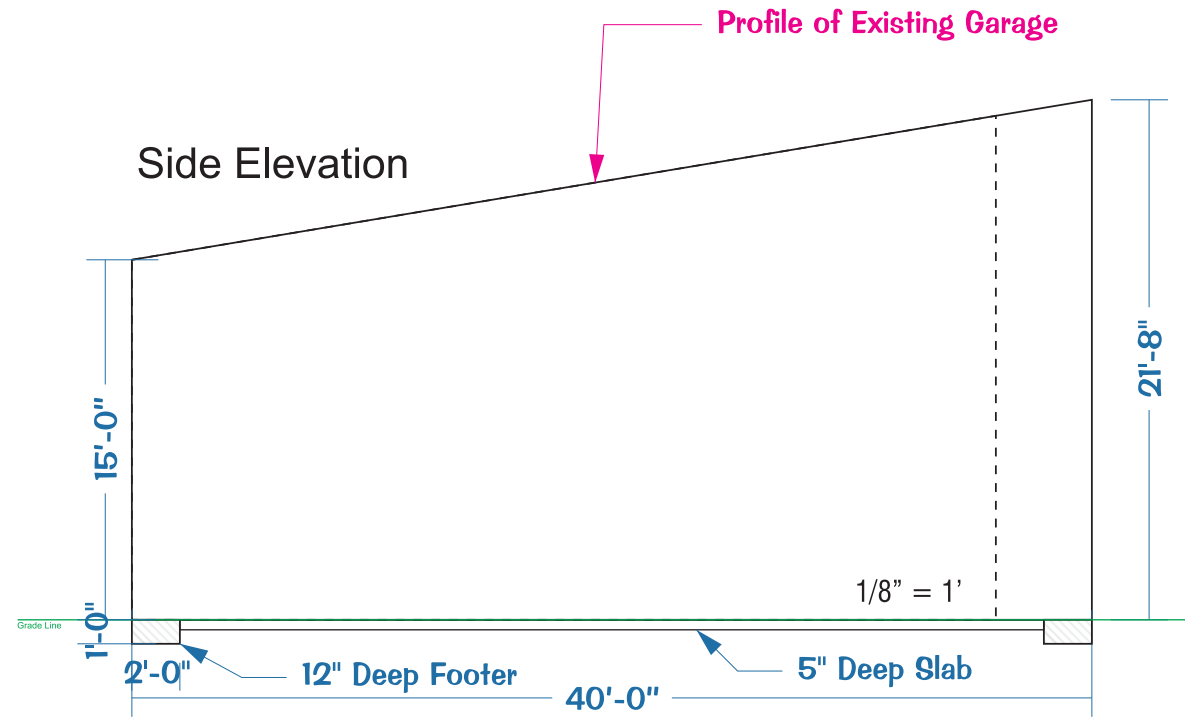
West Elevation

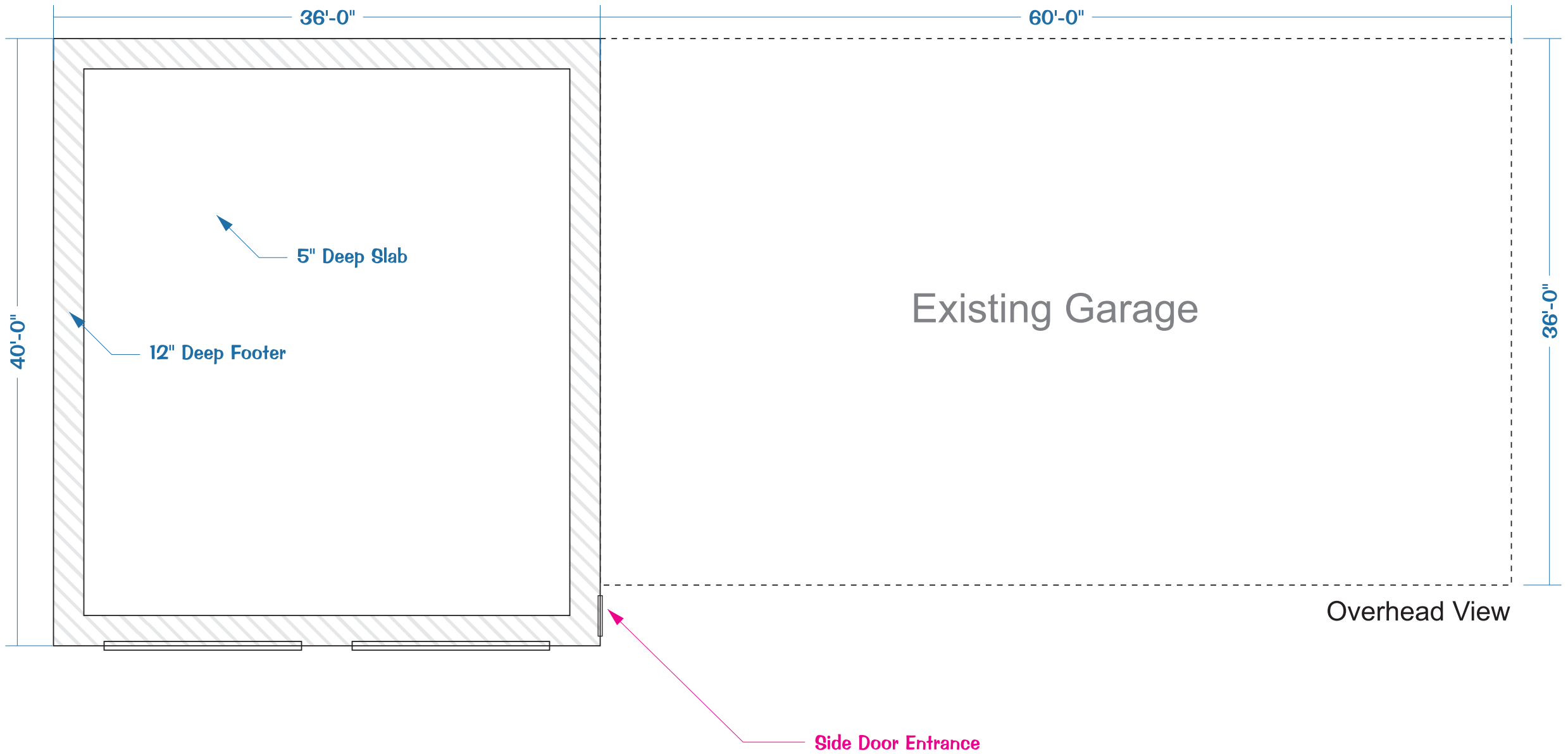


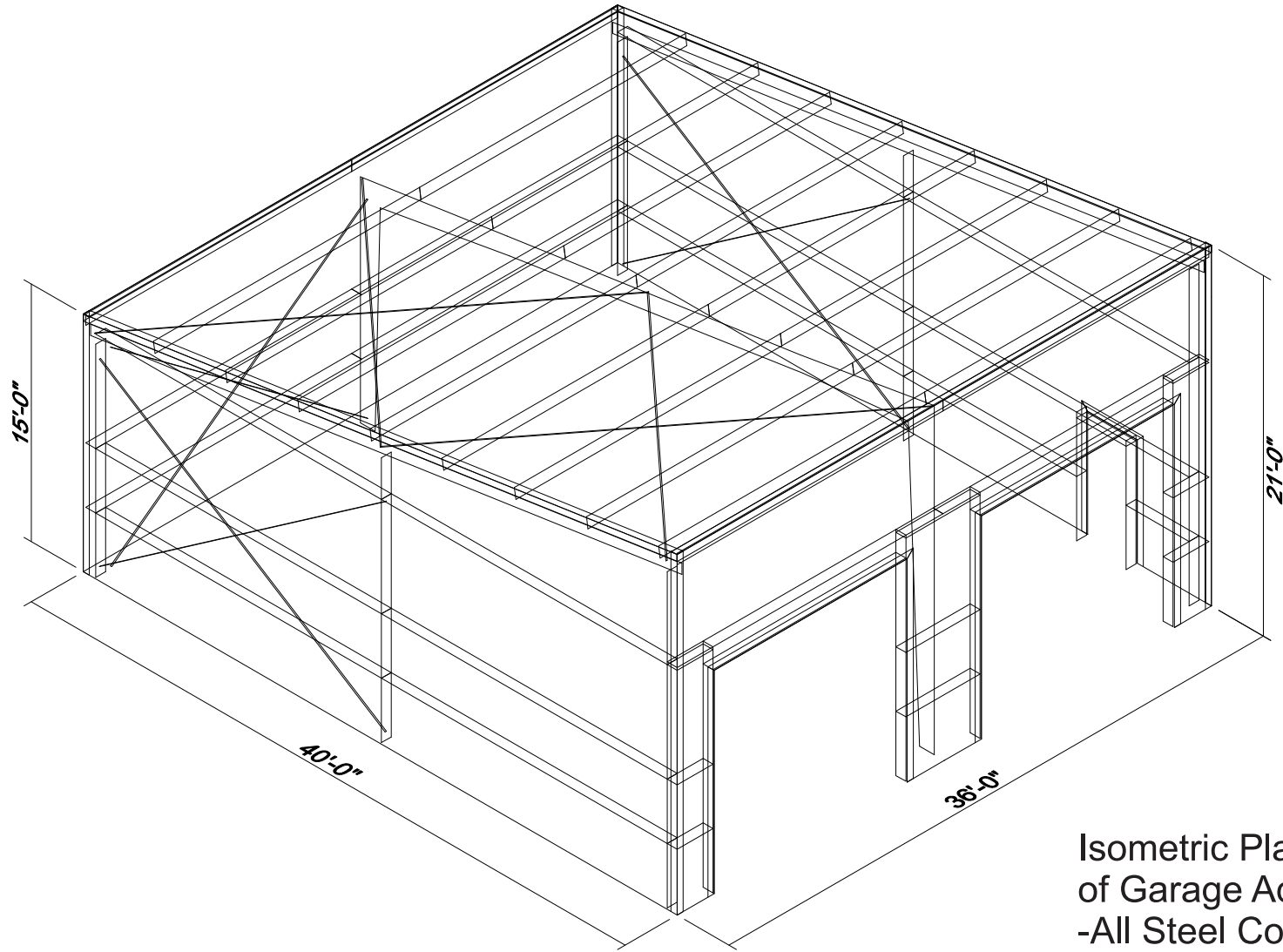
South Elevation



Building Height in Front: 21'
Building Height in Rear: 15'







Isometric Plan View
of Garage Addition
-All Steel Construction



Garage Addition



Existing

