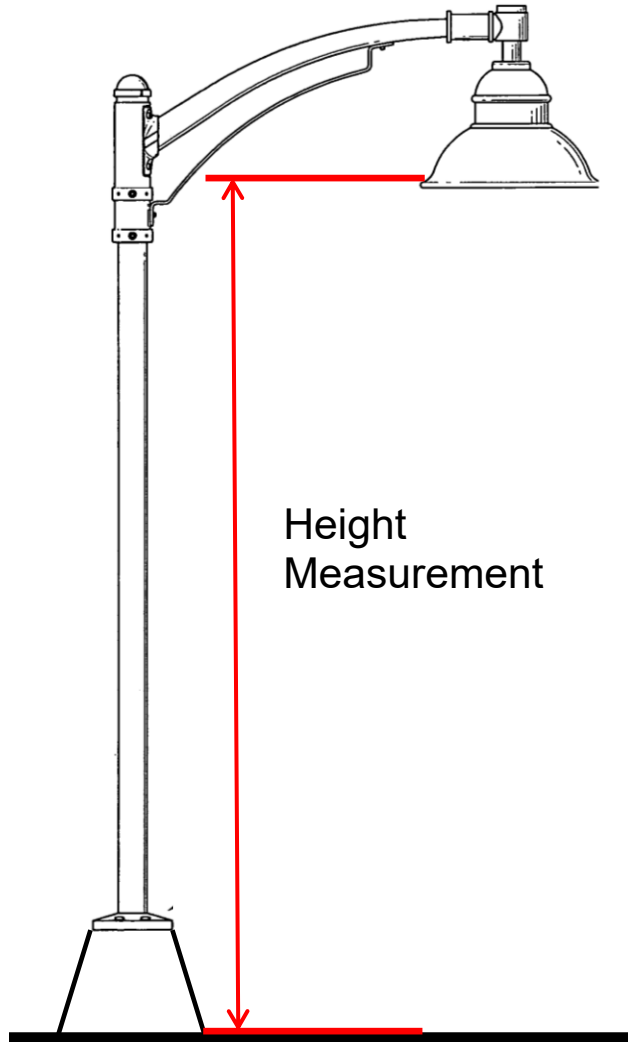


Attachment B



Height
Measurement