

DOOR CONFIGURATION					WEIGHT (LBS)	
MODEL	DESIGN	TOP	GLAZING	INSUL		FINISH
4050			SOLID	EPS	WH	118

SPECIAL NOTE: THE DESIGN OF THE SUPPORTING STRUCTURAL ELEMENTS SHALL BE THE RESPONSIBILITY OF THE PROFESSIONAL OF RECORD FOR THE BUILDING OR STRUCTURE IN ACCORDANCE WITH CURRENT BUILDING CODES.

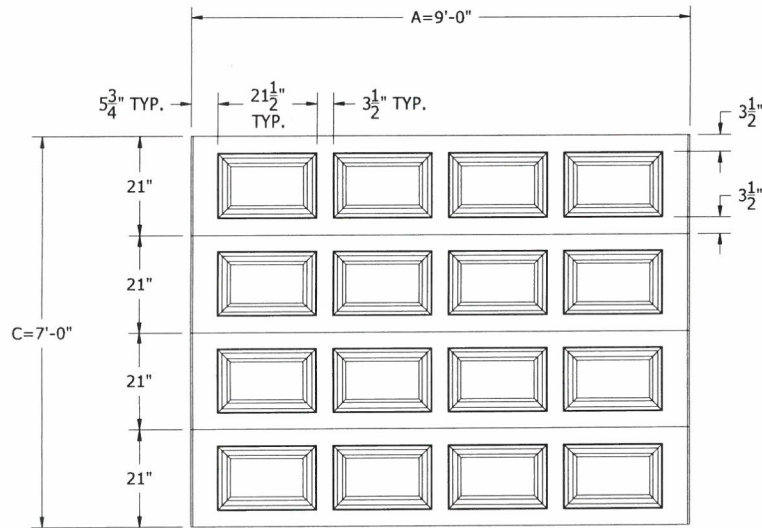
# 4050

SECTIONS ARE 1-3/8" THICK SANDWICH CONSTRUCTION CONSISTING OF EXTERIOR AND INTERIOR STEEL SKINS PRESSURE BONDED TO AN EXPANDED POLYSTYRENE CORE.

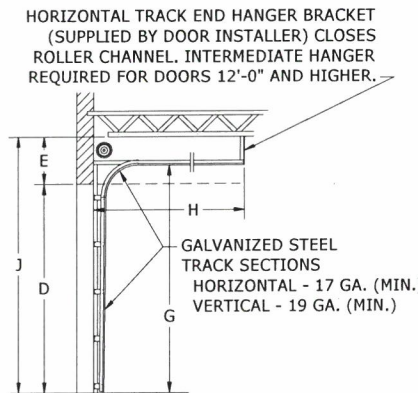
ACTUAL DOOR HEIGHT IS APPROX. 1" OVER BECAUSE OF JOINTS BETWEEN SECTIONS PLUS BOTTOM ASTRAGAL

### NOTES:

- ( 1 ) DOOR(S) 9'-0" X 7'-0"
- DOOR TO BE SUPPLIED WITH 10,000 CYCLE TORSION SPRINGS.
- DOOR TO BE SUPPLIED WITH BRACKET ANGLE MOUNTED, 2" GALVANIZED STEEL TRACK WITH 15" RADIUS STANDARD LIFT.
- DOOR TO HAVE ONE INTERIOR MOUNTED #2 END STILE SLIDE BOLT DOOR LOCK.



FRONT ELEVATION  
(OUTSIDE LOOKING IN)

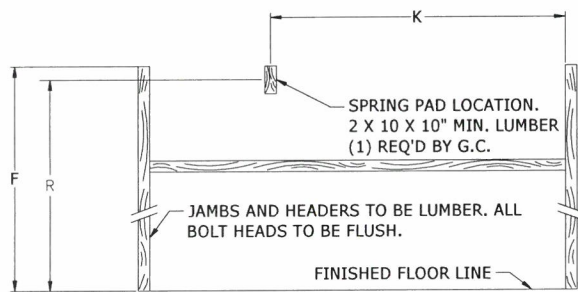


SIDE ELEVATION  
STANDARD LIFT  
TRACK DETAIL

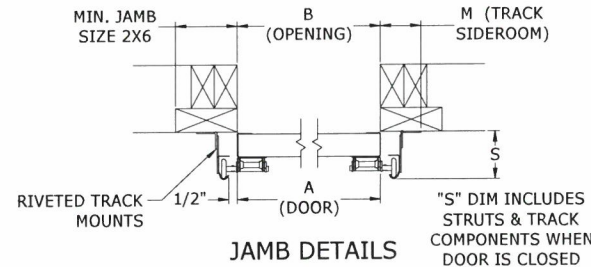
RECEIVED

JUN 12 2023

PLANNING & DESIGN  
SERVICES



INSIDE WALL ELEVATION  
OPENING PREPARATION



JAMB DETAILS

DIM.	DESCRIPTION	DIMENSIONS
A	DOOR WIDTH	9'-0"
B	OPENING WIDTH	9'-0"
C	DOOR HEIGHT	7'-0"
D	OPENING HEIGHT	7'-0"
	QUANTITY OF PANELS WIDE	2
	QUANTITY OF SECTIONS HIGH	4
E	HEADROOM (MIN.)	1'-3.25"
F	JAMB HEIGHT (MIN.)	8'-3.25"
G	OVERHEAD CLEARANCE	7'-7"
H	BACKROOM (MIN.)	8'-4"
J	FLOOR TO CEILING (MIN.)	8'-3.25"
K	SPRING PAD OFFSET 1	5'-7.5"
L	SPRING PAD OFFSET 2	N/A
M	TRACK SIDEROOM	0'-4"
N	COUNTERBALANCE SIDEROOM	0'-4"
R	SHAFT CENTER LINE	8'-0.75"
S	TRACK BACKROOM	0'-4"

**Clopay**  
CORPORATION

SHOP DRAWING

IMPORTANT: This document must be signed and returned prior to any fabrication. Please reference this drawing number on all correspondence. Thank you!

NOTICE: Confidential/Proprietary information of CLOPAY CORPORATION is contained herein and may not be disclosed, used, duplicated, made available, or distributed without its prior consent. Failure to observe this notice may result in liability for any damages and losses resulting therefrom.

DRAWN BY: TWP

DATE: 05-31-23

APPROVAL SIGNATURE:

APPROVAL DATE:

CUSTOMER: EH - CUNNINGHAM DOOR

JOB:

DRAWING NUMBER:

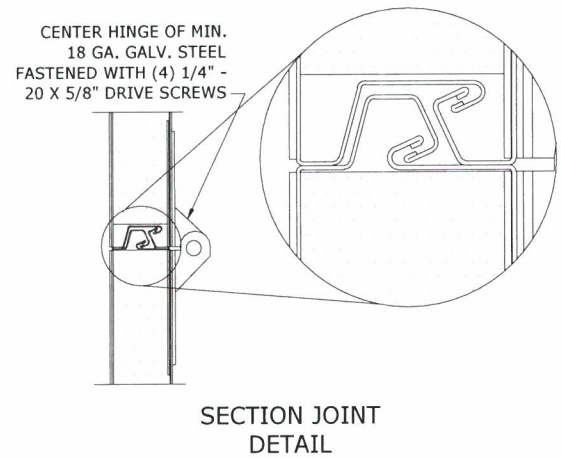
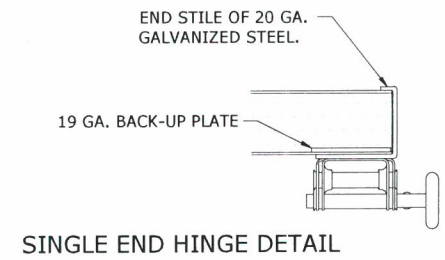
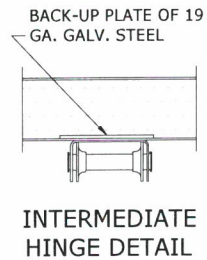
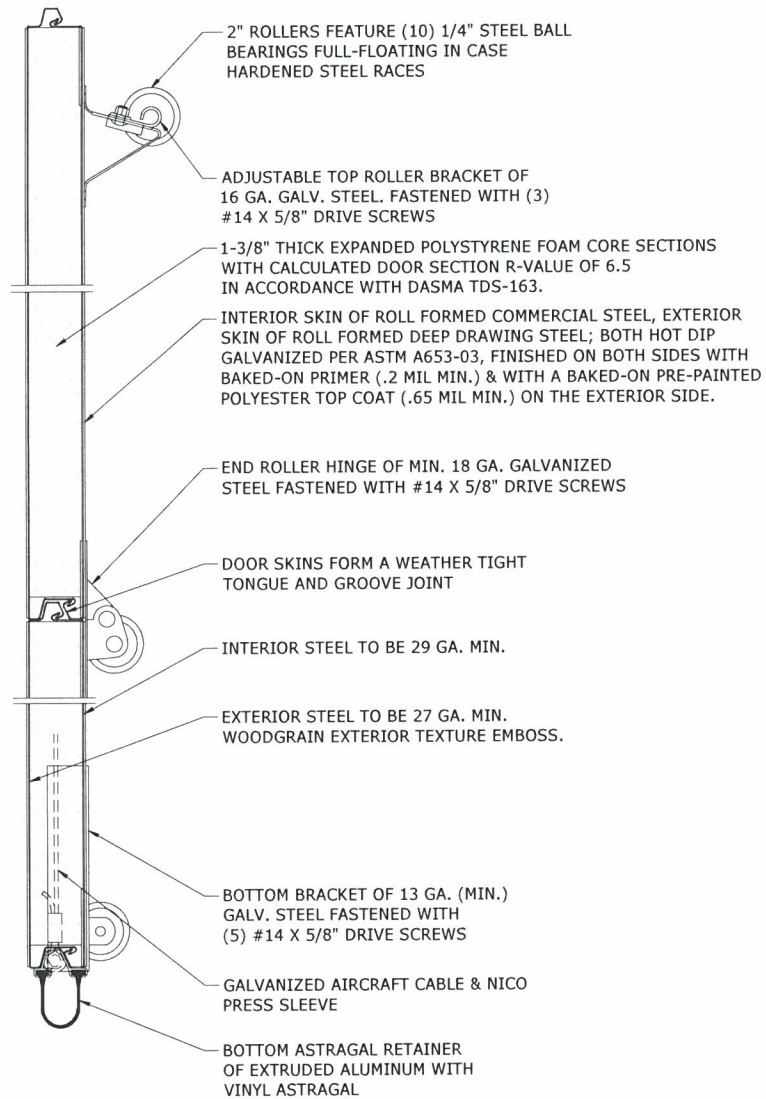
1795

CSR/DC: EHACKLEY

30000435-2-1

SHEET: 1 OF 2

23-00A-0154



**RECEIVED**

JUN 12 2023

PLANNING & DESIGN SERVICES

IMPORTANT: PLEASE REFERENCE THE DRAWING NUMBER ON ALL CORRESPONDENCE

<p><b>Clopay</b> CORPORATION</p>	<p>IMPORTANT: This document must be signed and returned prior to any fabrication. Please reference this drawing number on all correspondence. Thank you!</p> <p>NOTICE: Confidential/Proprietary information of CLOPAY CORPORATION is contained herein and may not be disclosed, used, duplicated, made available, or distributed without its prior consent. Failure to observe this notice may result in liability for any damages and losses resulting therefrom.</p>	<p>DRAWN BY: TWP</p>	<p>DATE: 05-31-23</p>	<p>APPROVAL SIGNATURE:</p>	<p>APPROVAL DATE:</p>
		<p>CUSTOMER: EH - CUNNINGHAM DOOR</p>	<p>JOB:</p>	<p>DRAWING NUMBER: 30000435-2-1</p>	<p>1795</p>
<p>SHOP DRAWING</p>	<p>CSR/DC: EHACKLEY</p>	<p>2 OF 2</p>			

23-COA-0154