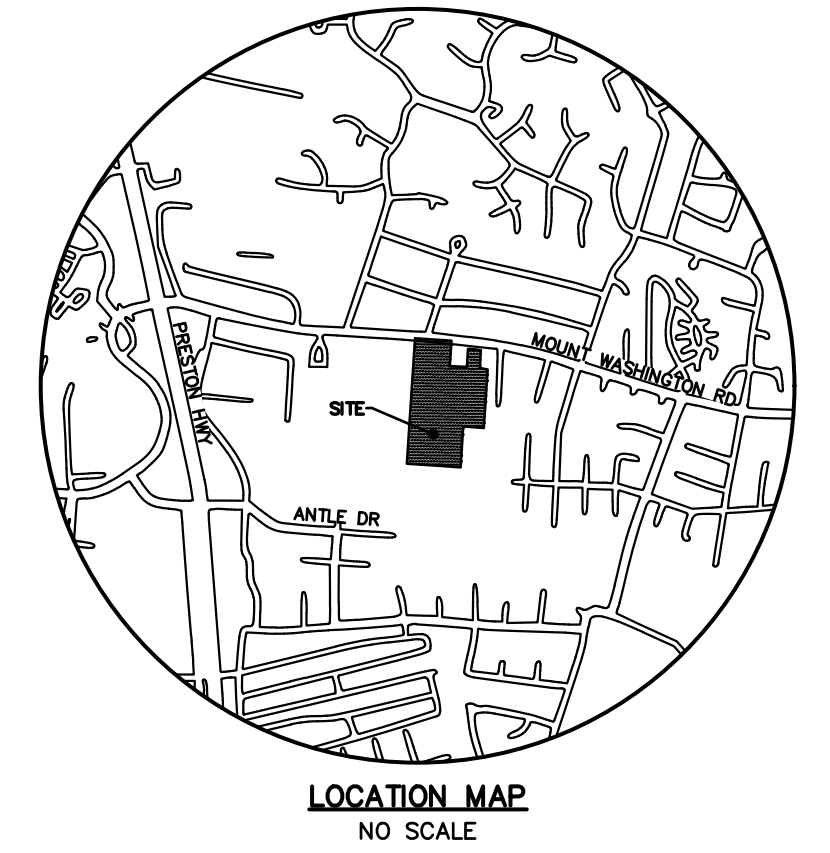
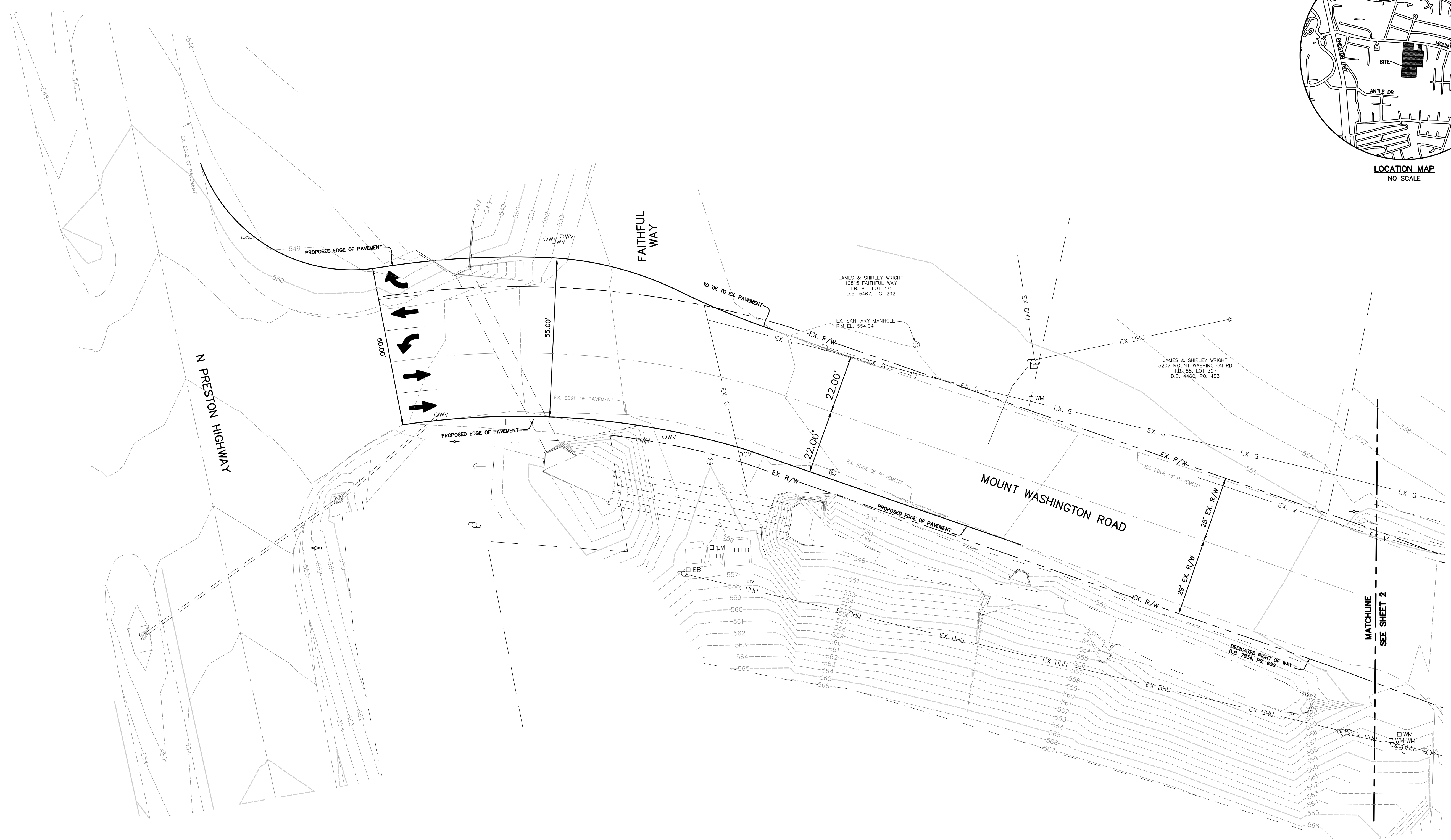


M:\3381\5604\MOUNT WASHINGTON RD\DWG\PLANNING\3381-CrossSection-1_30_23.dwg, 1/30/23 12:03:49 PM, .hds, 1:1



MINDEL SCOTT
 ENGINEERING & SURVEYING > PLANNING > LANDSCAPE ARCHITECTURE
 513 Jefferson Blvd. Louisville, KY 40219
 502-485-1588 > mindelscott.com

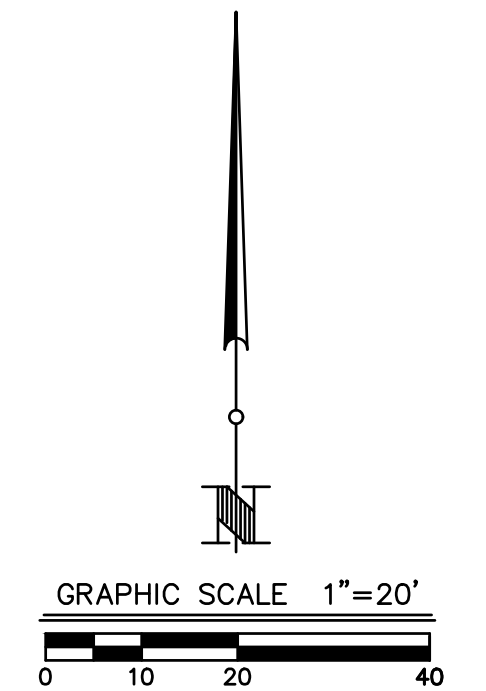
HIGHGATES

FOR:
 HIGHGATES GROUP
 7301 MONSEY CIRCLE
 LOUISVILLE, KY 40219

ROADWAY IMPROVEMENT EXHIBIT
MOUNT WASHINGTON ROAD APARTMENTS
 5604, 5606, 5612, 5614 & 5616 MOUNT WASHINGTON RD
 LOUISVILLE, KENTUCKY 40229
 TAX BLOCK 0091, LOTS 0002, 0072, 0027, 0037 & 0036
 D.B. 7016 PG. 0675, D.B. 7017 PG. 0574 & D.B. 5719 PG. 0642

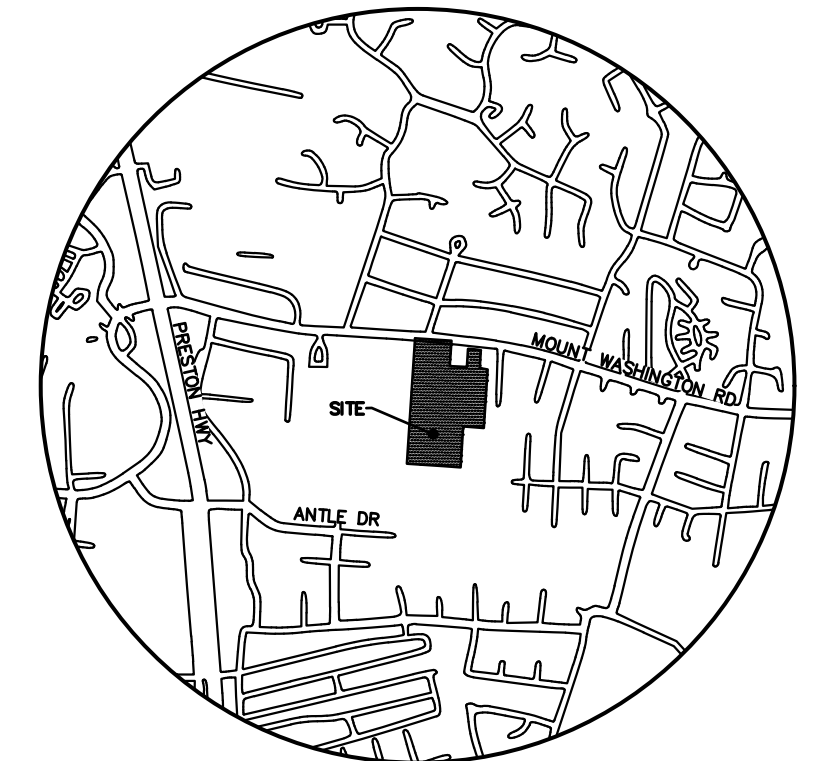
LEGEND

---	RIGHT-OF-WAY
+ xxx.xx	EXISTING SPOT ELEVATION
☐	EXISTING MAILBOX
⊕	EXISTING STREET SIGN
EX. W	EXISTING WATER LINE W/SIZE
□ WM	EXISTING WATER METER
○ WV	EXISTING WATER VALVE
⊕ FH	EXISTING FIRE HYDRANT
⊕	EXISTING WATER MANHOLE
EX. G	EXISTING GAS W/SIZE
EX. DHU	EXISTING OVERHEAD UTILITIES
⊕	EXISTING UTILITY POLE
⊕	EXISTING DOWN GUY
⊕	EXISTING SIGNAL POLE
⊕	EXISTING ELECTRIC MANHOLE
⊕	EXISTING GAS VALVE
⊕	EXISTING CATCH BASIN & YARD DRAIN W/PIPE
⊕	EXISTING DOUBLE CATCH BASIN W/PIPE
⊕	EXISTING STORM MANHOLE W/PIPE
⊕	EXISTING TOP OF BANK
⊕	EXISTING TOE OF SLOPE/DITCH
⊕	EXISTING SANITARY MANHOLE W/PIPE
---	EXISTING BOUNDARY LINE (APPROXIMATE)



CASE# 21-ZONE-0136
 RELATED CASE# 22-ZONE PA-0024
 MSD WM # 12322

Revisions
1/30/23 REV. PER SITE MEETING W/ KYTC
Horizontal Scale: 1"=20'
Date: 01/20/23
Job Number: 3831
Sheet
1 OF 6



LOCATION MAP
NO SCALE

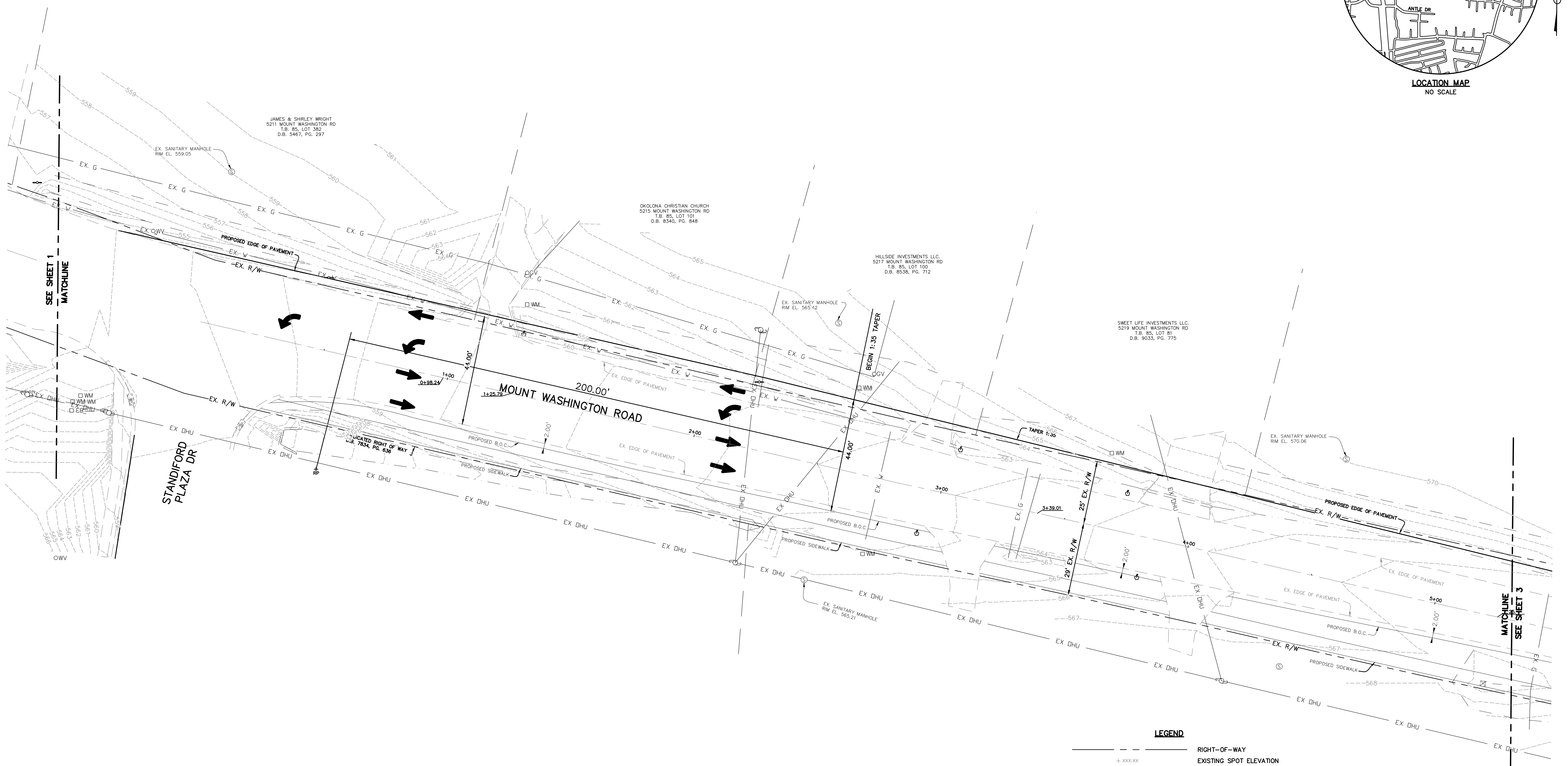


MINDEL SCOTT
ENGINEERING ► SURVEYING ► PLANNING ► LANDSCAPE ARCHITECTURE
513 Jefferson Ave., Louisville, KY 40219
502-469-1588 ► mindelscott.com



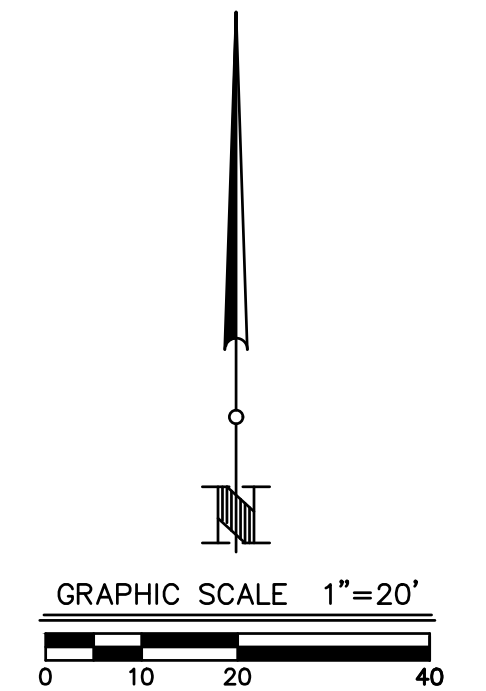
FOR:
HIGHGATES GROUP
7301 MONSEY CIRCLE
LOUISVILLE, KY 40219

ROADWAY IMPROVEMENT EXHIBIT
MOUNT WASHINGTON ROAD APARTMENTS
5604, 5606, 5612, 5614 & 5616 MOUNT WASHINGTON RD
LOUISVILLE, KENTUCKY 40229
TAX BLOCK 0091, LOTS 0002, 0072, 0027, 0037 & 0036
D.B. 7016 PG. 0675, D.B. 7017 PG. 0574 & D.B. 5719 PG. 0642



LEGEND

- RIGHT-OF-WAY
- +xxxxxx EXISTING SPOT ELEVATION
- Ⓜ EXISTING MAILBOX
- EXISTING STREET SIGN
- EX. W EXISTING WATER LINE W/SIZE
- WM EXISTING WATER METER
- WV EXISTING WATER VALVE
- ⊕ Fh EXISTING FIRE HYDRANT
- ⊕ EXISTING WATER MANHOLE
- EX. G EXISTING GAS W/SIZE
- EX. DHU EXISTING OVERHEAD UTILITIES
- ⊕ EXISTING UTILITY POLE
- EXISTING DOWN GUY
- ⊕ EXISTING SIGNAL POLE
- ⊕ EXISTING ELECTRIC MANHOLE
- ⊕ EXISTING GAS VALVE
- ⊕ EXISTING CATCH BASIN & YARD DRAIN W/PIPE
- ⊕ EXISTING DOUBLE CATCH BASIN W/PIPE
- ⊕ EXISTING STORM MANHOLE W/PIPE
- ⊕ EXISTING TOP OF BANK
- ⊕ EXISTING TOE OF SLOPE/DITCH
- ⊕ EXISTING SANITARY MANHOLE W/PIPE
- EXISTING BOUNDARY LINE (APPROXIMATE)



CASE# 21-ZONE-0136
RELATED CASE# 22-ZONE PA-0024
MSD WM # 12322

Revisions

NO.	DATE	DESCRIPTION
1/30/23	REV. PER SITE MEETING W/ KYTC	

Horizontal Scale: 1"=20'

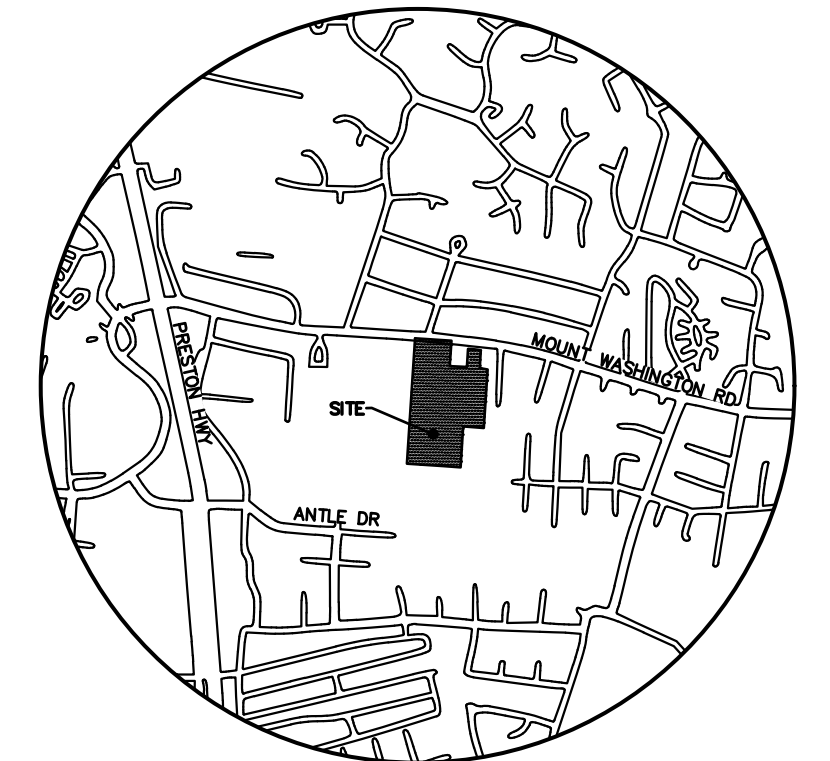
Date: 01/20/23

Job Number: 3831

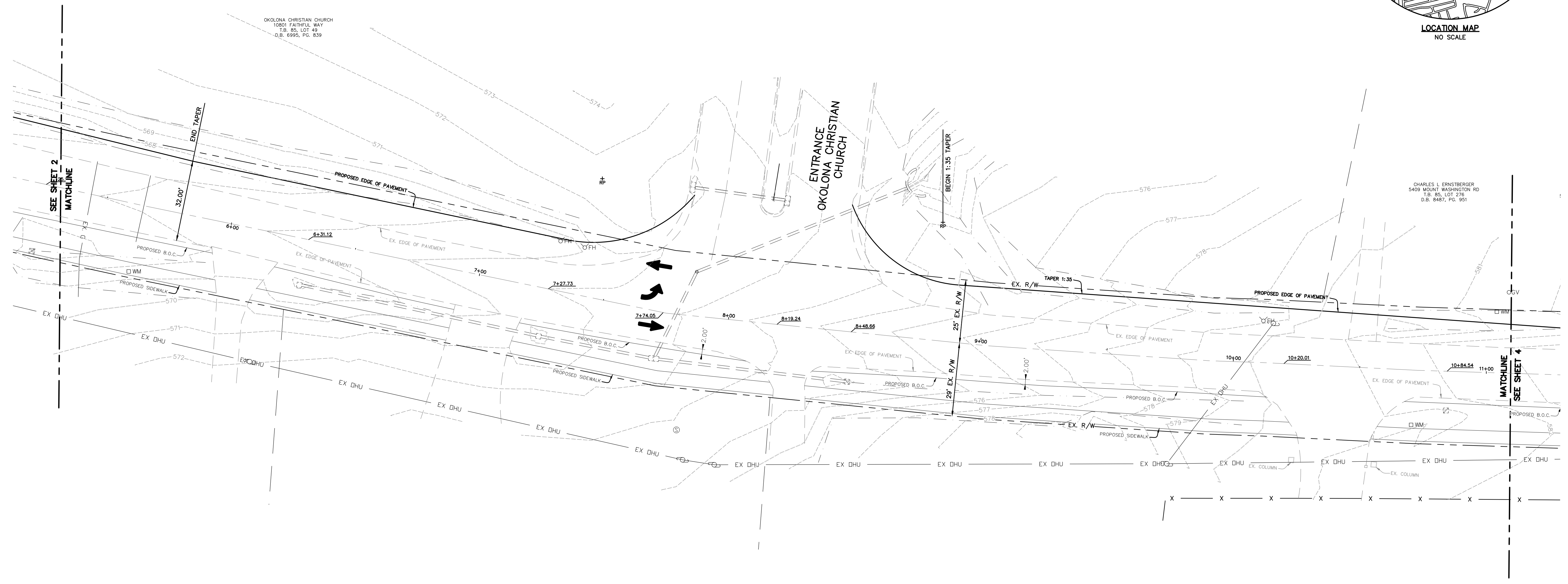
Sheet

2 OF 6

M:\3831\5604 MOUNT WASHINGTON RD\DWG\PLANNING\3831 -CrossSection_1_30_23.dwg, 1/30/2023 12:03:55 PM, .pltds, 1:1

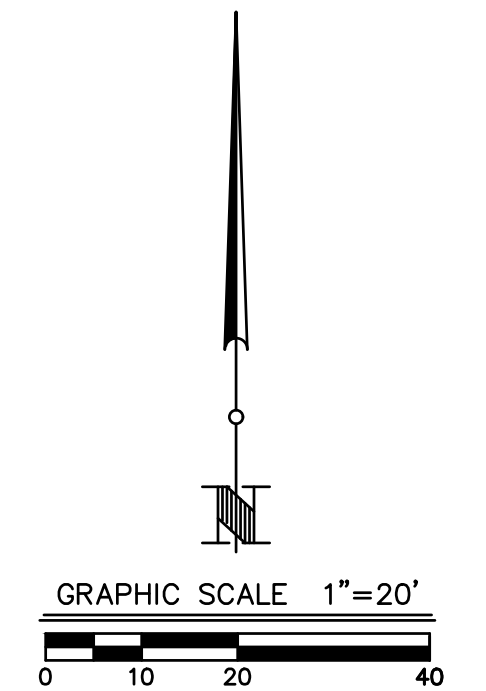


LOCATION MAP
NO SCALE



LEGEND

---	RIGHT-OF-WAY
+xxxxxx	EXISTING SPOT ELEVATION
Ⓜ	EXISTING MAILBOX
⌵	EXISTING STREET SIGN
EX. W	EXISTING WATER LINE W/SIZE
□ WM	EXISTING WATER METER
○ WV	EXISTING WATER VALVE
⊕ F H	EXISTING FIRE HYDRANT
⊕	EXISTING WATER MANHOLE
EX. G	EXISTING GAS W/SIZE
EX. DHU	EXISTING OVERHEAD UTILITIES
⊕	EXISTING UTILITY POLE
⌵	EXISTING DOWN GUY
⊕	EXISTING SIGNAL POLE
⊕	EXISTING ELECTRIC MANHOLE
⊕	EXISTING GAS VALVE
⊕	EXISTING CATCH BASIN & YARD DRAIN W/PIPE
⊕	EXISTING DOUBLE CATCH BASIN W/PIPE
⊕	EXISTING STORM MANHOLE W/PIPE
⊕	EXISTING TOP OF BANK
⊕	EXISTING TOE OF SLOPE/DITCH
⊕	EXISTING SANITARY MANHOLE W/PIPE
---	EXISTING BOUNDARY LINE (APPROXIMATE)



CASE# 21-ZONE-0136
RELATED CASE# 22-ZONE PA-0024
MSD WM # 12322

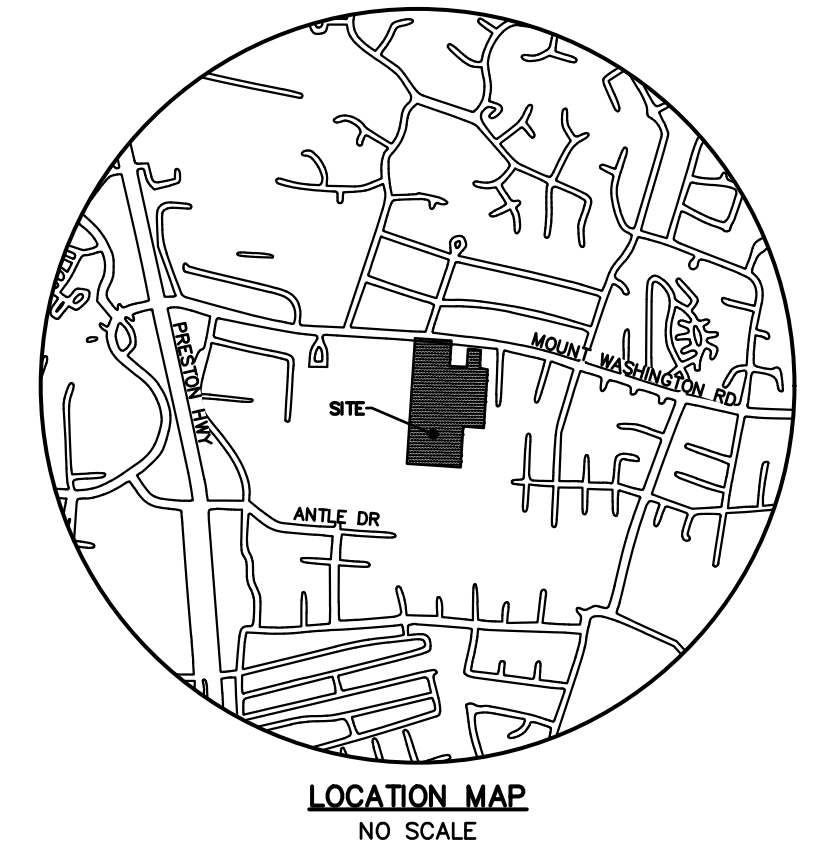
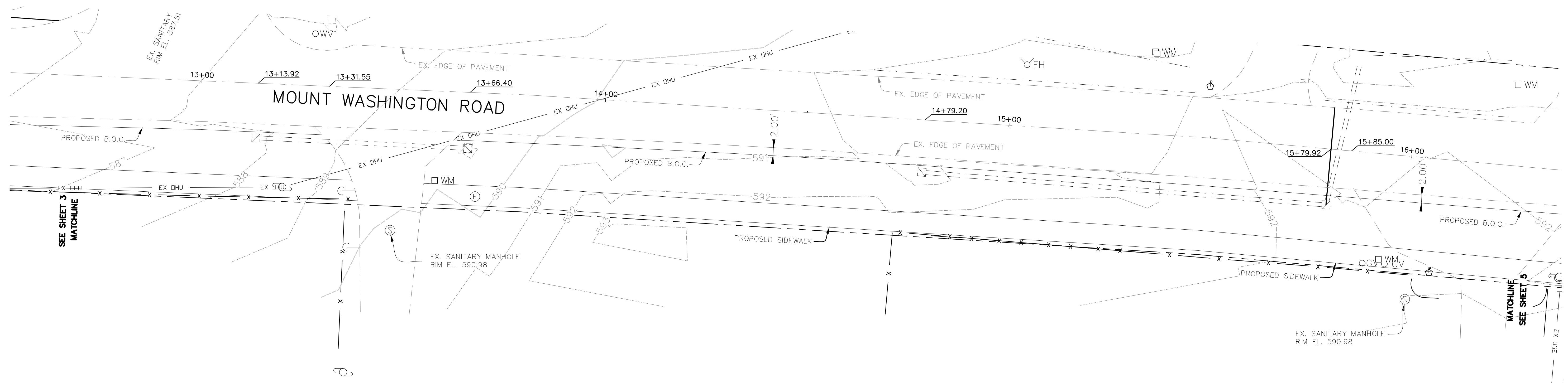
Revisions

1/30/23	REV. PER SITE MEETING W/ KYTC
---------	-------------------------------

Horizontal Scale: 1"=20'
Date: 01/20/23
Job Number: 3831
Sheet

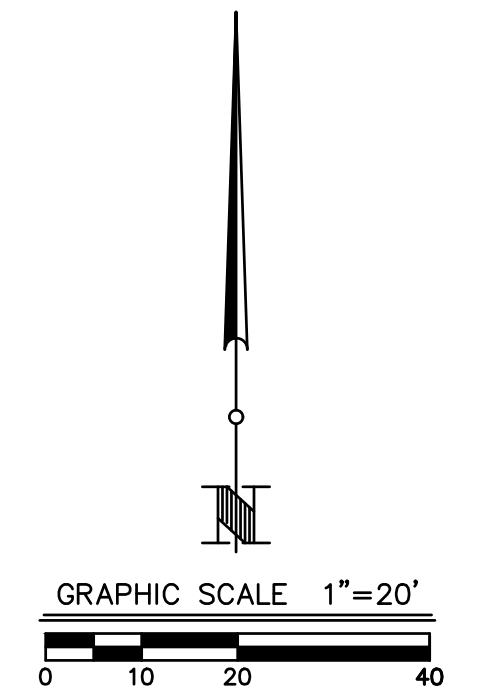
M:\3831\5604 MOUNT WASHINGTON RD\DWG\PLANNING\3831-CrossSection-1_30-23.dwg, 1/30/2023 12:04:00 PM, .rtd, 1:1

M:\3831\5604\MOUNT WASHINGTON RD\DWG\PLANNING\3831-CrossSection-1_30_23.dwg, 1/30/2023 12:04:05 PM, .l11



LEGEND

---	RIGHT-OF-WAY
+xxxx.xx	EXISTING SPOT ELEVATION
♠	EXISTING MAILBOX
→	EXISTING STREET SIGN
EX. W	EXISTING WATER LINE W/SIZE
□ WM	EXISTING WATER METER
OWV	EXISTING WATER VALVE
∅FH	EXISTING FIRE HYDRANT
⊙	EXISTING WATER MANHOLE
EX. G	EXISTING GAS W/SIZE
EX. OHU	EXISTING OVERHEAD UTILITIES
⊕	EXISTING UTILITY POLE
⊖	EXISTING DOWN GUY
⊙	EXISTING SIGNAL POLE
⊙	EXISTING ELECTRIC MANHOLE
OGV	EXISTING GAS VALVE
====	EXISTING CATCH BASIN & YARD DRAIN W/PIPE
====	EXISTING DOUBLE CATCH BASIN W/PIPE
====	EXISTING STORM MANHOLE W/PIPE
---	EXISTING TOP OF BANK
---	EXISTING TOE OF SLOPE/DITCH
---	EXISTING SANITARY MANHOLE W/PIPE
---	EXISTING BOUNDARY LINE (APPROXIMATE)



CASE# 21-ZONE-0136
RELATED CASE# 22-ZONE PA-0024
MSD WM # 12322

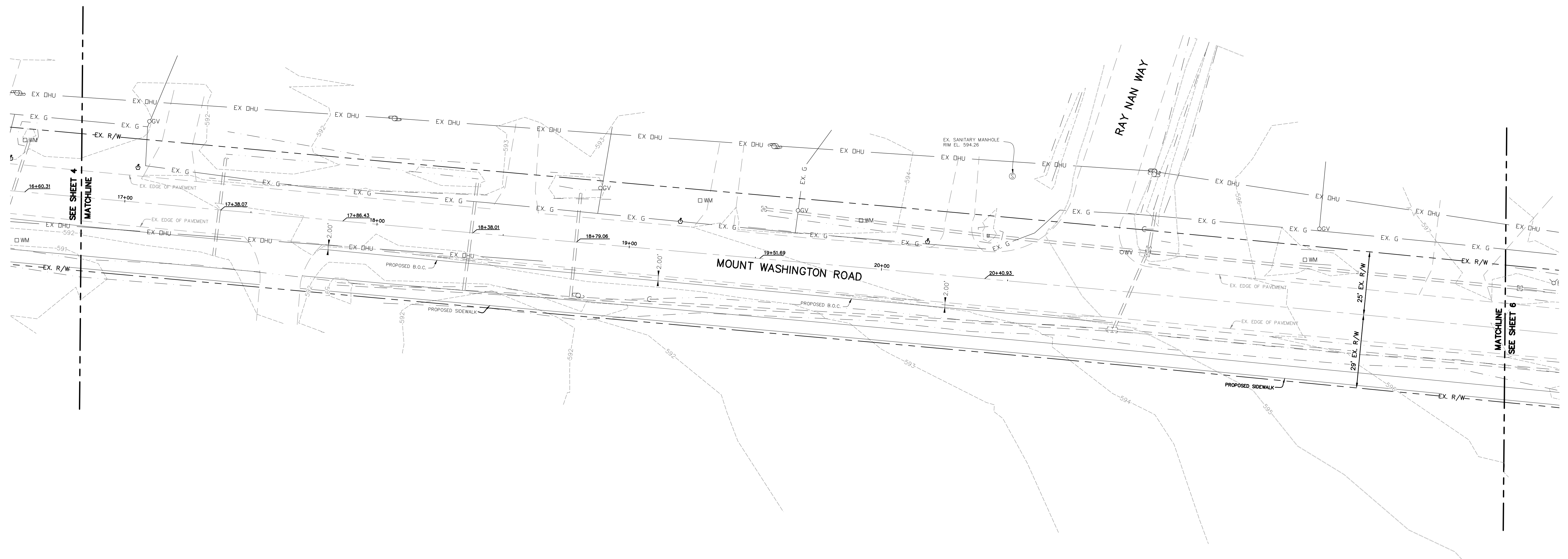
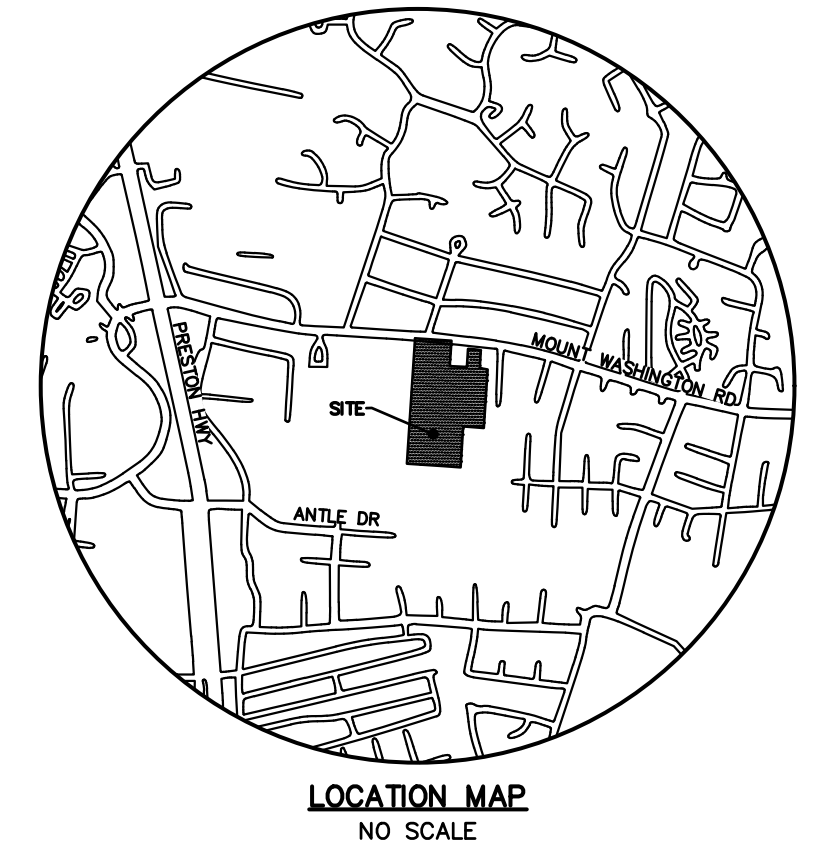
MINDEL SCOTT
ENGINEERING ► SURVEYING ► PLANNING ► LANDSCAPE ARCHITECTURE
313 Jefferson Blvd. Louisville, KY 40219
502-485-1588 ► mindelscott.com

HIGHGATES

FOR:
HIGHGATES GROUP
7301 MONSEY CIRCLE
LOUISVILLE, KY 40219

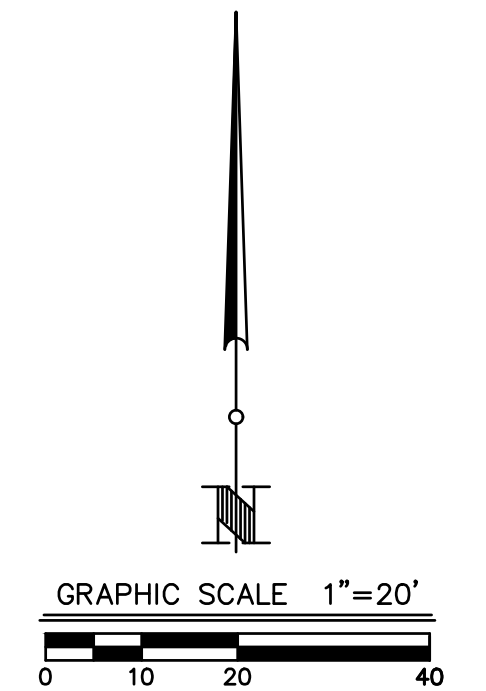
ROADWAY IMPROVEMENT EXHIBIT
MOUNT WASHINGTON ROAD APARTMENTS
5604, 5606, 5612, 5614 & 5616 MOUNT WASHINGTON RD
LOUISVILLE, KENTUCKY 40229
TAX BLOCK 0091, LOTS 0002, 0072, 0027, 0037 & 0036
D.B. 7016 PG. 0675, D.B. 7017 PG. 0574 & D.B. 5719 PG. 0642

Revisions
1/30/23 REV. PER SITE MEETING W/ KYTC
Horizontal Scale: 1"=20'
Date: 01/20/23
Job Number: 3831
Sheet
4 OF 6



LEGEND

---	RIGHT-OF-WAY
+XXXXXX	EXISTING SPOT ELEVATION
Ⓜ	EXISTING MAILBOX
⌵	EXISTING STREET SIGN
EX. W	EXISTING WATER LINE W/SIZE
□ WM	EXISTING WATER METER
○ WV	EXISTING WATER VALVE
⊕ F H	EXISTING FIRE HYDRANT
⊕	EXISTING WATER MANHOLE
EX. G	EXISTING GAS W/SIZE
EX. DHU	EXISTING OVERHEAD UTILITIES
⊕	EXISTING UTILITY POLE
⊕	EXISTING DOWN GUY
⊕	EXISTING SIGNAL POLE
⊕	EXISTING ELECTRIC MANHOLE
⊕	EXISTING GAS VALVE
⊕	EXISTING CATCH BASIN & YARD DRAIN
⊕	EXISTING DOUBLE CATCH BASIN W/PIPE
⊕	EXISTING STORM MANHOLE W/PIPE
⊕	EXISTING TOP OF BANK
⊕	EXISTING TOE OF SLOPE/DITCH
⊕	EXISTING SANITARY MANHOLE W/PIPE
---	EXISTING BOUNDARY LINE (APPROXIMATE)



CASE# 21-ZONE-0136
 RELATED CASE# 22-ZONE PA-0024
 MSD WM # 12322

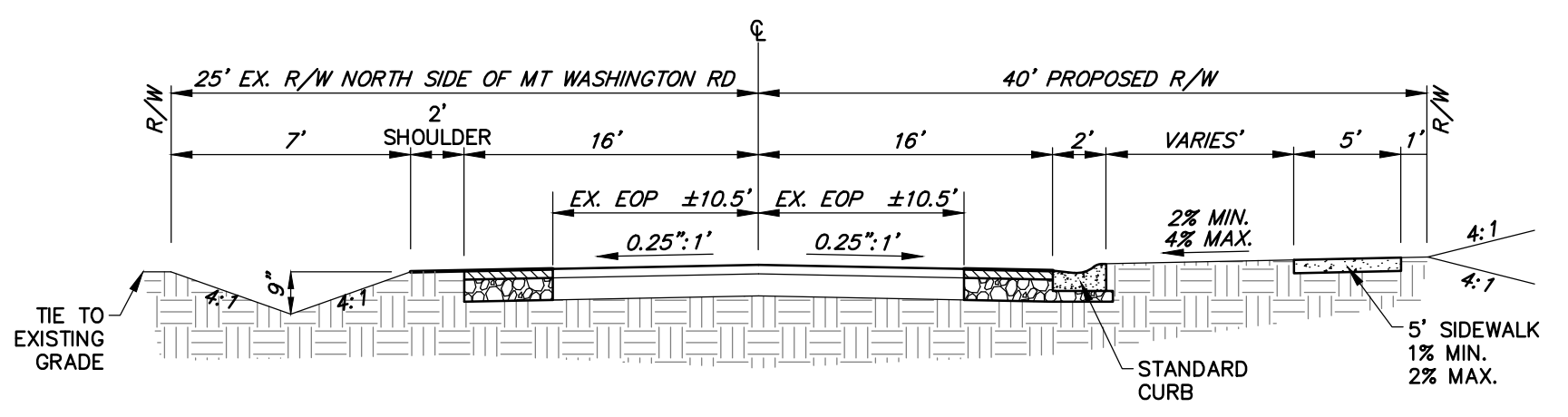
Revisions

1/30/23	REV. PER SITE MEETING W/ KYTC
---------	-------------------------------

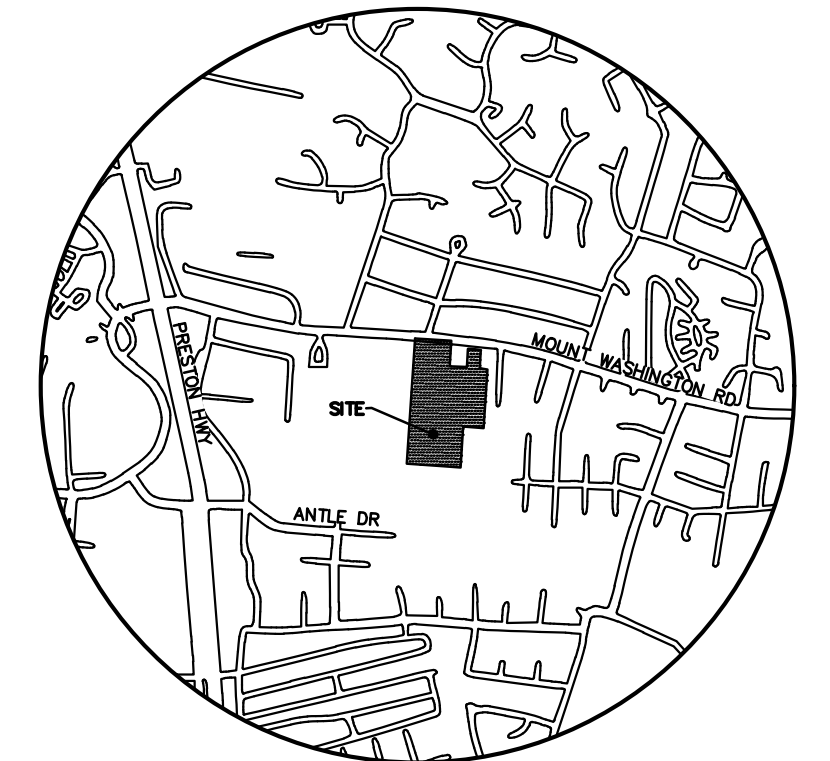
Horizontal Scale: 1"=20'
 Date: 01/20/23
 Job Number: 3831

Sheet
5 OF 6

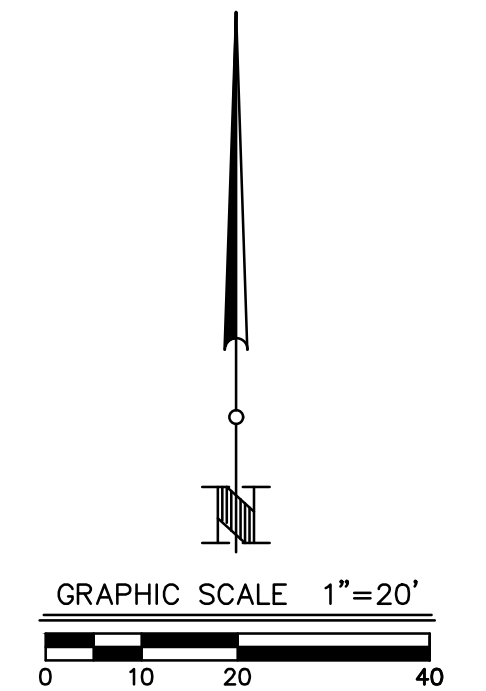
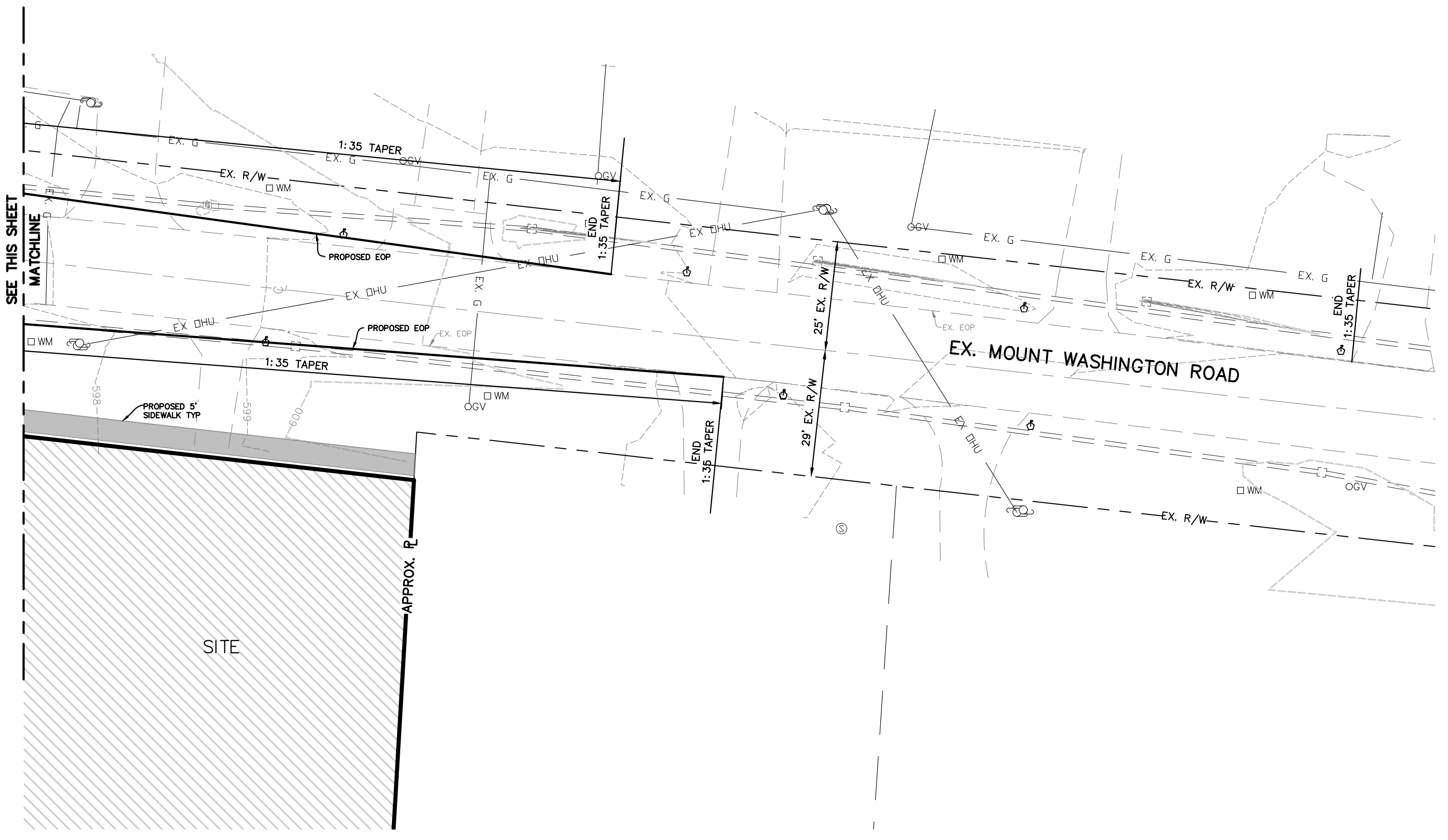
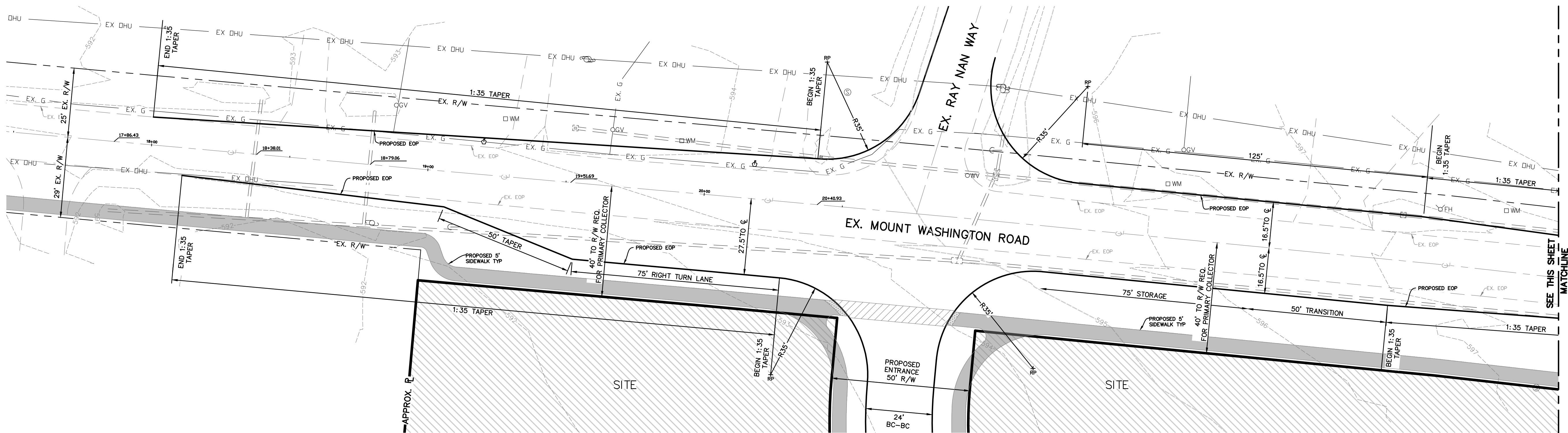
M:\3831\5604 MOUNT WASHINGTON RD\DWG\PLANNING\3831 -CrossSection_1_30_23.dwg, 1/30/2023 12:04:10 PM, .hds, 1:1



PROPOSED LEFT TURN LANE AT PROPOSED ENTRANCE
NO SCALE



LOCATION MAP
NO SCALE



CASE# 21-ZONE-0136
RELATED CASE# 22-ZONE PA-0024
MSD WM # 12322

MINDEL SCOTT
ENGINEERING & PLANNING
SURVEYING & PLANNING > LANDSCAPE ARCHITECTURE
513 Jefferson Ave. Louisville, KY 40219
502-469-1588 P. mindelscott.com

HIGHGATES
FOR:
HIGHGATES GROUP
7301 MONSEY CIRCLE
LOUISVILLE, KY 40219

TURN-LANE EXHIBIT AT PROPOSED ENTRANCE
MOUNT WASHINGTON ROAD APARTMENTS
5604, 5606, 5612, 5614 & 5616 MOUNT WASHINGTON RD
LOUISVILLE, KENTUCKY 40229
TAX BLOCK 0091, LOTS 0002, 0072, 0027, 0037 & 0036
D.B. 7016 PG. 0675, D.B. 7017 PG. 0574 & D.B. 5719 PG. 0642

Revisions	
1/30/23	REV. PER SITE MEETING W/ KYTC
Horizontal Scale: 1"=20'	
Date: 01/20/23	
Job Number: 3831	
Sheet	
6 OF 6	

M:\3831\5604 MOUNT WASHINGTON RD\DWG\PLANNING\21-ZONE-0136 Turn Lane Exhibit - 1-30-23.dwg, 1/30/2023 11:50:22 AM, sheet 1 of 1