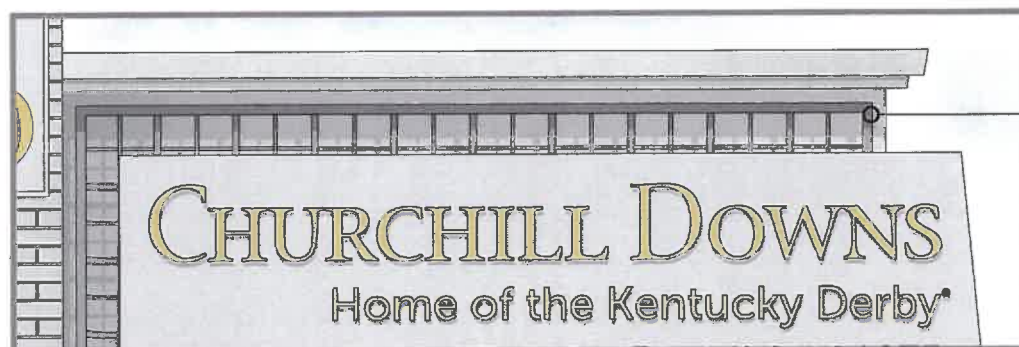
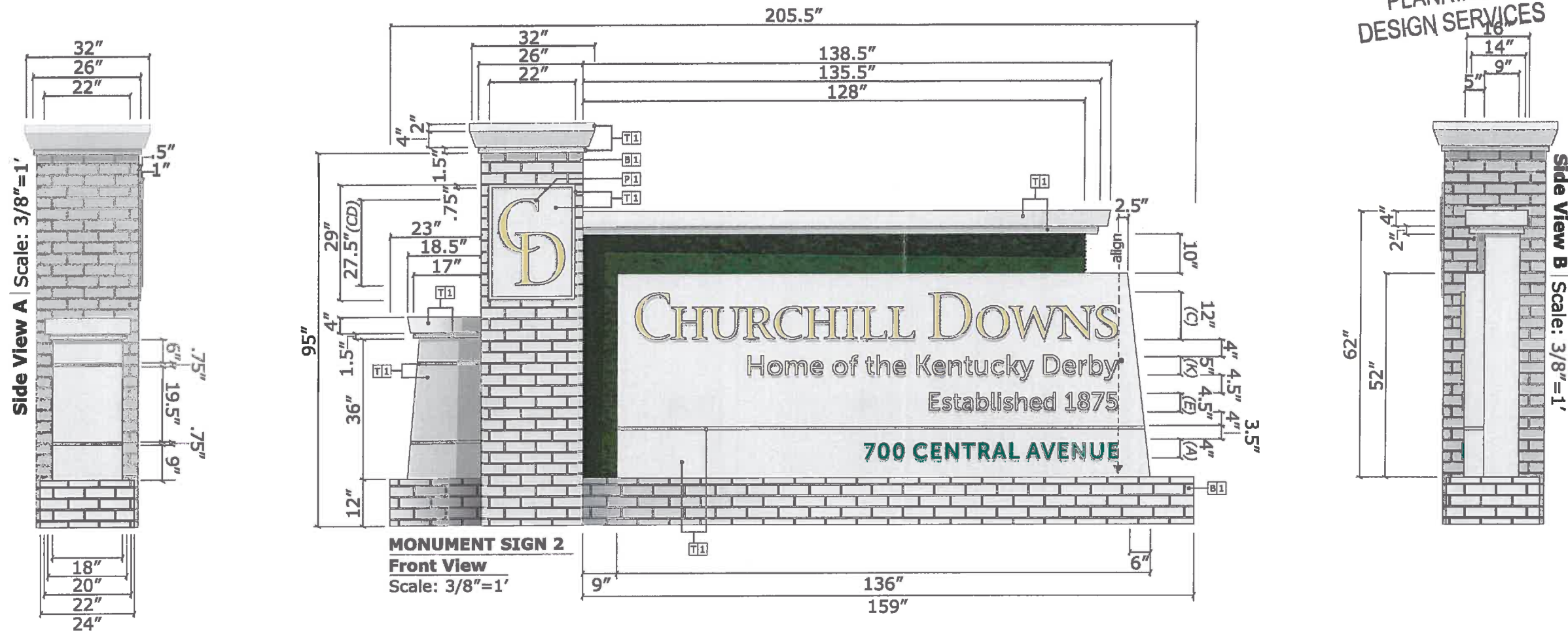


# MONUMENT SIGNAGE

## CHURCHILL Downs

RECEIVED  
 FEB 23 2018  
 PLANNING &  
 DESIGN SERVICES



**Grid System**  
 (shown without plants)  
**NOTE:** artwork shown  
 for display purposes only.



Painted Aluminum Letters

**LIVING WALL:** support frame and the irrigation system are to be provided **By Others**.  
 The irrigation supply and all branch lines and are to remain on the outside of the sign.  
 The Sign Contractor is to coordinate framing and mounting points with Living Wall  
 Contractor and Irrigation Contractor.



SARAH DIBARTOLO-HURLEY  
 856-904-9446  
 WWW.MTRIARCHLLC.COM  
 SARABD@MTRIARCHLLC.COM

### PROJECT INFORMATION

CLIENT  
 CHURCHILL DOWNS

PROJECT TITLE  
 EXTERIOR SIGNAGE  
 DESIGN DOCUMENTS

LOCATION  
 LOUISVILLE, KY

DRAWING #  
 18-000

DATE  
 2.21.2018

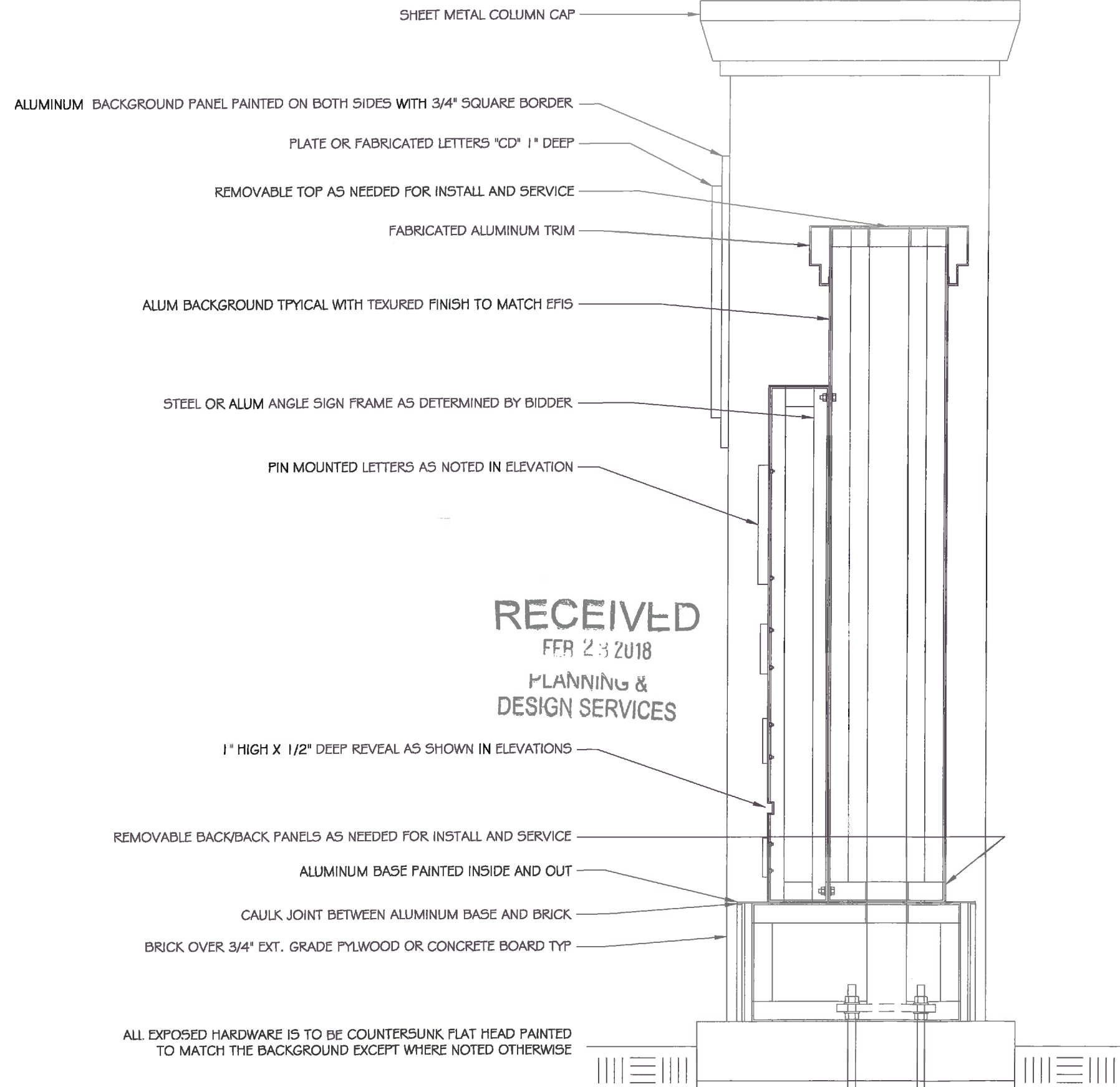
### REVISIONS

| REVISION #  | DATE     | ARTIST |
|-------------|----------|--------|
| REVISION #0 | 0/0/2018 | ARTIST |
| REVISION #0 | 0/0/2018 | ARTIST |
| REVISION #0 | 0/0/2018 | ARTIST |
| REVISION #0 | 0/0/2018 | ARTIST |
| REVISION #0 | 0/0/2018 | ARTIST |
| REVISION #0 | 0/0/2018 | ARTIST |
| REVISION #0 | 0/0/2018 | ARTIST |

This design has been submitted to your company for the sole purpose of determining whether or not to purchase it from MATRIARCH SOLUTIONS. Distribution or exhibition of this design to anyone other than employees of your company, or use of this design to construct a product similar to the one contained herein is expressly forbidden. In the event such distribution or exhibition occurs, MATRIARCH SIGN SOLUTIONS expects to be reimbursed \$2,850 for time and effort in creating this design. ©2018 MATRIARCH SIGN SOLUTIONS.

# CHURCHILL DOWNS

## MONUMENT SIGNAGE



SHEET METAL COLUMN CAP

ALUMINUM BACKGROUND PANEL PAINTED ON BOTH SIDES WITH 3/4" SQUARE BORDER

PLATE OR FABRICATED LETTERS "CD" 1" DEEP

REMOVABLE TOP AS NEEDED FOR INSTALL AND SERVICE

FABRICATED ALUMINUM TRIM

ALUM BACKGROUND TYPICAL WITH TEXTURED FINISH TO MATCH EFIS

STEEL OR ALUM ANGLE SIGN FRAME AS DETERMINED BY BIDDER

PIN MOUNTED LETTERS AS NOTED IN ELEVATION

**RECEIVED**  
 FEB 23 2018  
 PLANNING &  
 DESIGN SERVICES

1" HIGH X 1/2" DEEP REVEAL AS SHOWN IN ELEVATIONS

REMOVABLE BACK/BACK PANELS AS NEEDED FOR INSTALL AND SERVICE

ALUMINUM BASE PAINTED INSIDE AND OUT

CAULK JOINT BETWEEN ALUMINUM BASE AND BRICK

BRICK OVER 3/4" EXT. GRADE PLYWOOD OR CONCRETE BOARD TYP

ALL EXPOSED HARDWARE IS TO BE COUNTERSUNK FLAT HEAD PAINTED TO MATCH THE BACKGROUND EXCEPT WHERE NOTED OTHERWISE

1 VERTICAL SECTION  
 3 SCALE: 1" = 1'-0"



SARAH DIBARTOLO-HURLEY  
 856-904-9446  
 WWW.MATRIARCHLLC.COM  
 SARAH@MATRIARCHLLC.COM

### PROJECT INFORMATION

CLIENT  
 CHURCHILL DOWNS

PROJECT TITLE  
 EXTERIOR SIGNAGE  
 DESIGN DOCUMENTS

LOCATION  
 LOUISVILLE, KY

DRAWING #  
 18-000

DATE  
 2.21.2018

### REVISIONS

|            |          |        |
|------------|----------|--------|
| REVISION # | 0/0/2018 | ARTIST |
| REVISION # | 0/0/2018 | ARTIST |
| REVISION # | 0/0/2018 | ARTIST |
| REVISION # | 0/0/2018 | ARTIST |
| REVISION # | 0/0/2018 | ARTIST |
| REVISION # | 0/0/2018 | ARTIST |
| REVISION # | 0/0/2018 | ARTIST |

This design has been submitted to your company for the sole purpose of determining whether or not to purchase it from MATRIARCH SOLUTIONS. Distribution or exhibition of this design to anyone other than employees of your company, or use of this design to construct a product similar to the one contained herein is expressly forbidden. In the event such distribution or exhibition occurs, MATRIARCH SIGN SOLUTIONS expects to be reimbursed \$2,850 for time and effort in creating this design. ©2018 MATRIARCH SIGN SOLUTIONS.

# CHURCHILL DOWNS



SARAH DIBARTOLO-HURLEY  
 856-904-9446  
 WWW.MATRIARCHLLC.COM  
 SARAH@MATRIARCHLLC.COM

**PROJECT INFORMATION**

CLIENT  
 CHURCHILL DOWNS

PROJECT TITLE  
 EXTERIOR SIGNAGE  
 DESIGN DOCUMENTS

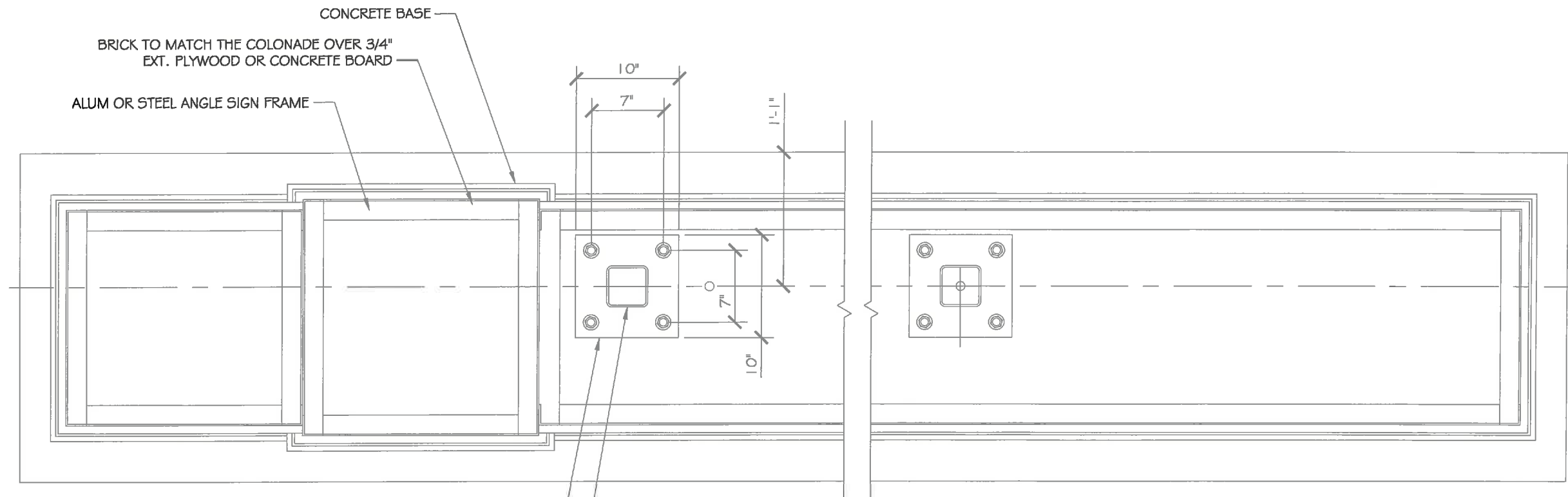
LOCATION  
 LOUISVILLE, KY

DRAWING #  
 18-000

DATE  
 2.21.2018

**REVISIONS**

|            |          |        |
|------------|----------|--------|
| REVISION # | 0/0/2018 | ARTIST |
| REVISION # | 0/0/2018 | ARTIST |
| REVISION # | 0/0/2018 | ARTIST |
| REVISION # | 0/0/2018 | ARTIST |
| REVISION # | 0/0/2018 | ARTIST |
| REVISION # | 0/0/2018 | ARTIST |
| REVISION # | 0/0/2018 | ARTIST |



BASE PLATE 3/4" THICK STEEL  
 HSS 4 X 4 X 3/16" COLUMNS

ALL STRUCTURE IS THE RESPONSIBILITY OF THE SIGN CONTRACTOR AND THEIR PROFESSIONAL ENGINEER

1 HORIZONTAL SECTION THRU BRICK BASE  
 4 SCALE: 1" = 1'-0"

RECEIVED  
 FEB 23 2018  
 PLANNING &  
 DESIGN SERVICES

This design has been submitted to your company for the sole purpose of determining whether or not to purchase it from MATRIARCH SOLUTIONS. Distribution or exhibition of this design to anyone other than employees of your company, or use of this design to construct a product similar to the one contained herein is expressly forbidden. In the event such distribution or exhibition occurs, MATRIARCH SIGN SOLUTIONS expects to be reimbursed \$2,850 for time and effort in creating this design. ©2018 MATRIARCH SIGN SOLUTIONS.

# MONUMENT SIGNAGE

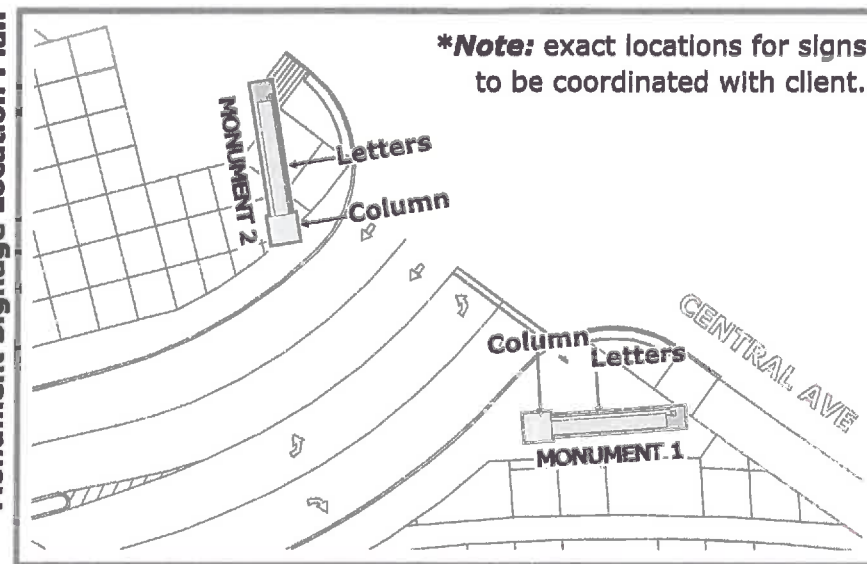
## CHURCHILL DOWNS



**MONUMENT SIGN 2 | Detail View**

Ground Lights  
By Others

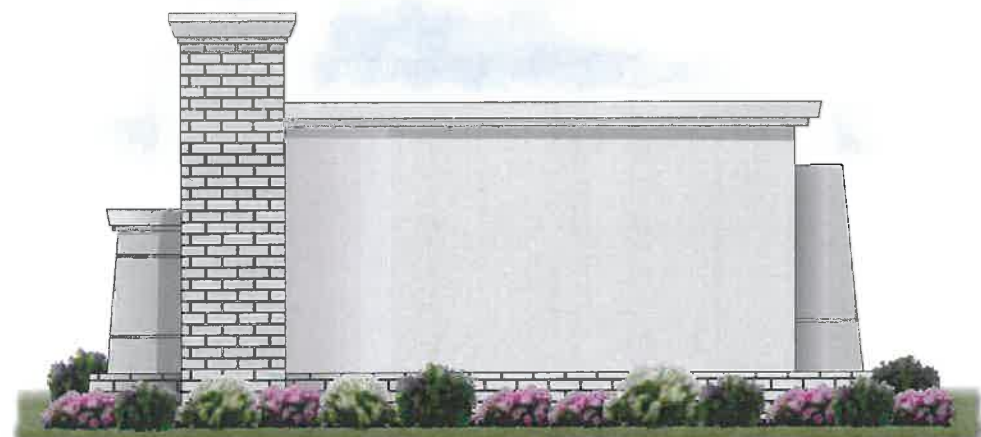
Monument Signage Location Plan



*\*Note:* exact locations for signs to be coordinated with client.

Finishes & Materials

|           |  |
|-----------|--|
| <b>P1</b> | paint to match:<br><b>Crescent Bronze</b><br>Resisto Rich #80R<br>Satin Finish   |
| <b>P2</b> | Sherwin Willams<br>Custom Formula<br>Satin Finish<br>acquire formula from client |
| <b>T1</b> | Fine Stipple Texture<br>paint to match: <b>B1</b>                                |
| <b>B1</b> | brick to match:<br>Colonnade Brick<br>acquire spec from client                   |



**MONUMENT SIGN 1 | Back View | Scale: 1/4"=1'**

*\*Note:* exact details for backside of **SIGN 2**



**MONUMENT SIGN 1 | Front View | Scale: 1/4"=1'**



**SARAH DIBARTOLO-HURLEY**  
 856-904-9446  
 WWW.MATRIARCHLLC.COM  
 SARAH@MATRIARCHLLC.COM

### PROJECT INFORMATION

CLIENT  
CHURCHILL DOWNS

PROJECT TITLE  
EXTERIOR SIGNAGE  
DESIGN DOCUMENTS

LOCATION  
LOUISVILLE, KY

DRAWING #  
18-000

DATE  
2.21.2018

### REVISIONS

|            |      |        |
|------------|------|--------|
| REVISION # | DATE | ARTIST |
| 0/0/2018   |      |        |
| 0/0/2018   |      |        |
| 0/0/2018   |      |        |
| 0/0/2018   |      |        |
| 0/0/2018   |      |        |
| 0/0/2018   |      |        |
| 0/0/2018   |      |        |

This design has been submitted to your company for the sole purpose of determining whether or not to purchase it from MATRIARCH SOLUTIONS. Distribution or exhibition of this design to anyone other than employees of your company, or use of this design to construct a product similar to the one contained herein is expressly forbidden. In the event such distribution or exhibition occurs, MATRIARCH SIGN SOLUTIONS expects to be reimbursed \$2,850 for time and effort in creating this design. ©2018 MATRIARCH SIGN SOLUTIONS.

**RECEIVED**  
 FEB 23 2018  
 PLANNING &  
 DESIGN SERVICES